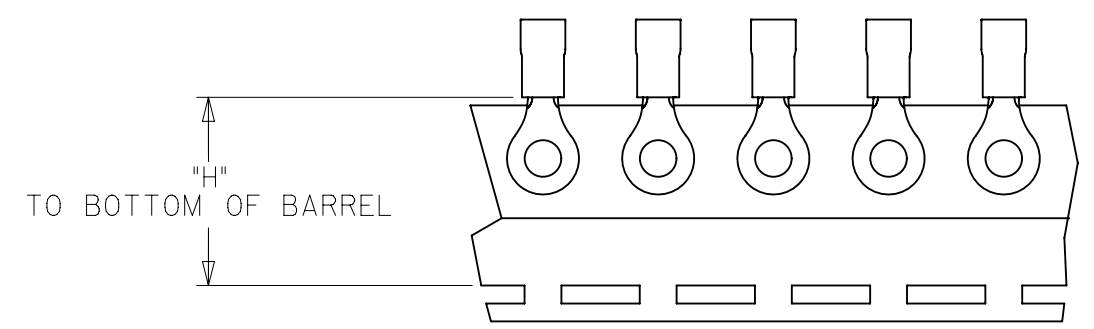
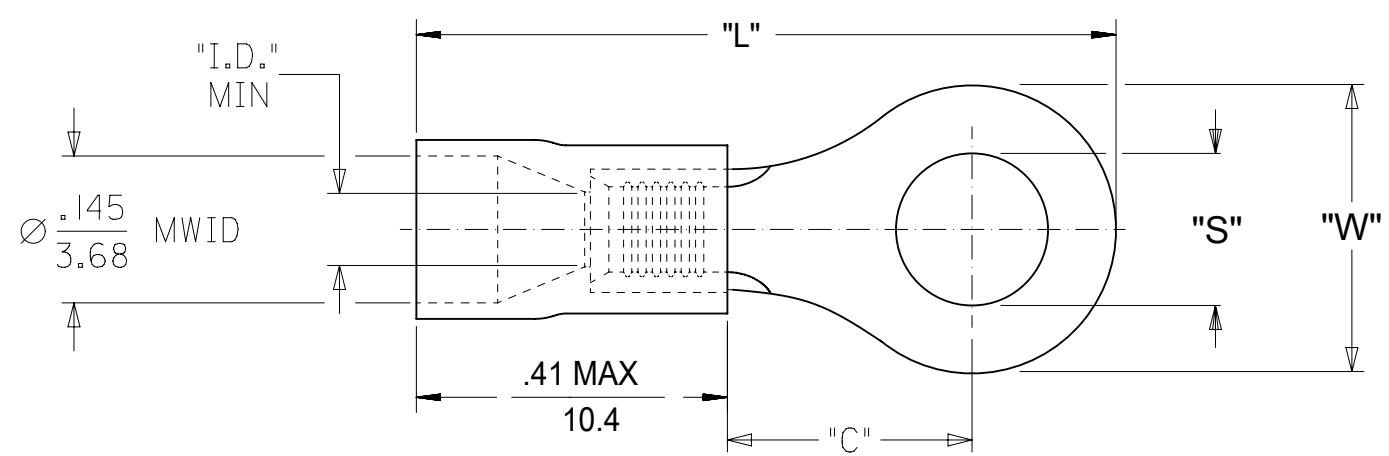


LOOSE PIECE		TAPE MOUNTED		SPECIFICATIONS								
MATERIAL NUMBER	ALTERNATE NUMBER	MATERIAL NUMBER	ALTERNATE NUMBER	HOUSING COLOR	STUD SIZE	"S" ±.005/(0.13)	"W" MAX.	"C" MIN.	"L" MAX.	"ID" MIN.	STOCK THICKNESS REFERENCE	"H" ±.020/-.051
190700005	AA-220-02X	190700006	AA-220-02XT	RED	2	.094/(2.39)	.235/(6.00)	.157/(3.99)	.709/(18.01)	.062/(1.57)	.028/(0.71)	.980/(24.89)
190700007	AA-220-04X	190700008	AA-220-04XT	RED	4	.119/(3.02)						
190700009	AA-220-06X	190700010	AA-220-06XT	RED	6	.146/(3.71)						
190700011	AA-221-06X	190700012	AA-221-06XT	RED	6	.146/(3.71)	.322/(8.18)	.270/(6.86)	.866/(22.00)	.062/(1.57)	.028/(0.71)	
190700013	AA-221-08X	190700014	AA-221-08XT	RED	8	.173/(4.39)						
190700015	AA-221-10X	190700017	AA-221-10XT	RED	10	.198/(5.03)						
190700019	AA-221-209X	190700020	AA-221-209XT	RED	M5	.209/(5.18)	.477/(12.11)	.386/(9.80)	1.060/(26.92)	.062/(1.57)	.028/(0.71)	
190700021	AA-222-10X	190700022	AA-222-10T	RED	10	.198/(5.03)						
190700023	AA-222-14X	190700024	AA-222-14XT	RED	14	.265/(6.73)						
190700608	AA-222-14X-BK	190700601	AA-222-14XT-BK	BLACK	14	.265/(6.73)	.544/(13.82)	.552/(14.02)	1.270/(32.26) C5	.055/(1.40)	.031/(0.79)	
190700026	AA-222-56X	190700027	AA-222-56XT	RED	5/16"	.328/(8.33)						
190700609	AA-222-56X-BK	190700611	AA-222-56XT-BK	BLACK	5/16"	.328/(8.33)						
190700029	AA-226-10X	190700030	AA-226-10XT	RED	10	.198/(5.03)	.264/(6.70)	.240/(6.10)	.807/(20.50)	.062/(1.57)	.028/(0.71)	
190700031	AA-226-14X	190700032	AA-226-14XT	RED	14	.265/(6.73)						
190700036	AA-226-56X	190700037	AA-226-56XT	RED	5/16"	.328/(8.33)						
190700033	AA-226-38X	190700035	AA-226-38XT	RED	3/8"	.390/(9.91)	.283/(7.20)	.240/(6.10)	.816/(20.73)	.062/(1.57)	.028/(0.71)	
190700038	AA-232-04X	190700039	AA-232-04XT	RED	4	.119/(3.02)						
190700040	AA-232-06X	190700042	AA-232-06XT	RED	6	.146/(3.71)						
190700044	AA-232-08X	190700045	AA-232-08XT	RED	8	.173/(4.39)	.283/(7.20)	.240/(6.10)	.816/(20.73)	.062/(1.57)	.028/(0.71)	
190700051	AA-233-10X	190700052	AA-233-10XT	RED	10	.198/(5.03)						
190700612	AA-233-10X-BK	190700614	AA-233-10XT-BK	BLACK	10	.198/(5.03)						



NOTE(S):
 1. MATERIAL: COPPER
 PLATING: ELECTROPLATE TIN
 2. DELETED
 3. INSULATION: MOLDED PVC, SEE CHART FOR COLOR
 4. MWID=MAXIMUM WIRE INSULATION DIA.
 5. ALL DIMENSIONS IN INCHES (MM).
 6. PARTS ARE RoHS COMPLIANT.

THIS DRAWING CONTAINS INFORMATION THAT IS PROPRIETARY TO MOLEX ELECTRONIC TECHNOLOGIES, LLC AND SHOULD NOT BE USED WITHOUT WRITTEN PERMISSION											
SYMBOLS		DIMENSION UNITS		SCALE		CURRENT REV DESC: DIM 1.270 WAS 1.259					
▽ = 0		IN/MM		NTS		<p>RING TONGUE TERMINAL INSULKRIMP, 200-SERIES 22-18 AWG</p> <p>PRODUCT CUSTOMER DRAWING</p> <p>DOCUMENT NUMBER: SD-19070-003 DOC TYPE: PSD DOC PART: 001 REVISION: C5</p> <p>MATERIAL NUMBER: SEE CHART CUSTOMER: GENERAL MARKET SHEET NUMBER: 1 OF 1</p>					
▽ = 0		GENERAL TOLERANCES (UNLESS SPECIFIED)									
▽ = 0		MM		INCH							
▽ = 0		4 PLACES ±		±							
▽ = 0		3 PLACES ±		±							
▽ = 0		2 PLACES ±		±		EC NO: 600900		DRWN: DMYRICK		2018/07/09	
▽ = 0		1 PLACE ±		±		CHK'D: JMACNEIL		2018/07/10			
▽ = 0		0 PLACES ±		±		APPR: JMACNEIL		2018/07/10			
▽ = 0		ANGULAR TOL ± °				INITIAL REVISION:		DRWN: DMYRICK		2005/07/22	
▽ = 0		DRAFT WHERE APPLICABLE MUST REMAIN WITHIN DIMENSIONS		THIRD ANGLE PROJECTION		DRAWING		SERIES		MATERIAL NUMBER	
▽ = 0				B-SIZE		19070		SEE CHART		GENERAL MARKET	