

# PRODUCT DATA DRAWING

REVISION HISTORY			
REV	DESCRIPTION	DATE	APPROVED
C	DCN 49528	12/19	STW

**MATERIAL:**

**BODY & COUPLING NUT:** STAINLESS STEEL PER AMS-5640, ALLOY UNS S30300, TYPE 1; OR ASTM A582 TYPE 303, COND. A

**LOCK RING & CONTACT:** BERYLLIUM COPPER PER ASTM B196, ALLOY No. UNS C17300, TD04

**INSULATOR:** PTFE PER ASTM D1710, TYPE I, GRADE 1, CLASS B

**GASKET:** SILICONE RUBBER PER A-A-59588, CLASS 2B, GRADE 60/70

**RESISTOR ELEMENT:** ALUMINA SUBSTRATE WITH NICHROME RESISTOR

**FINISH:**

**BODY:** GOLD PER ASTM B 488, TYPE I, CODE C, CLASS 1.27, OVER NICKEL PER AMS-QQ-N-290, CLASS 1, .00005" MIN.

**COUPLING NUT:** GOLD PER ASTM B 488, TYPE I, CODE C, CLASS .50, OVER NICKEL PER AMS-QQ-N-290, CLASS 1, .00005" MIN.

**CONTACT:** GOLD PER ASTM B488, TYPE II, CODE C, CLASS 1.52, OVER NICKEL PER AMS-QQ-N-290, CLASS 1, .00005" MIN.

**PERFORMANCE:**

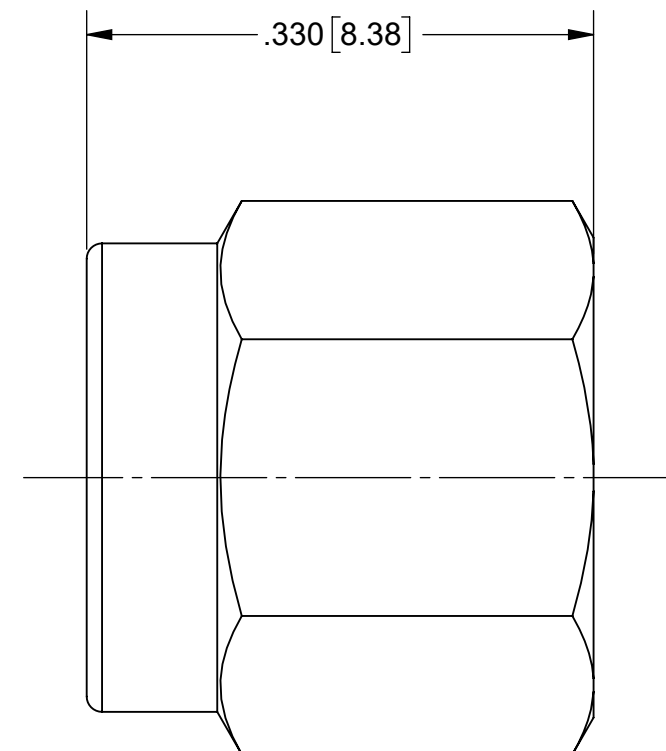
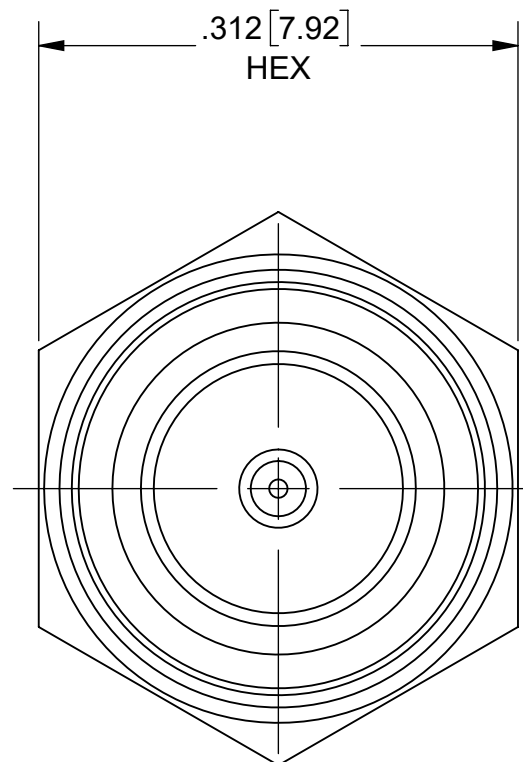
**IMPEDANCE:** 49-51 OHMS


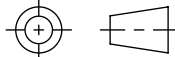
**FREQ. RANGE:** DC TO 18.0 GHz.

**VSWR:** 1.10:1 MAX. DC TO 18.0 GHz.

**OPERATING TEMP.:** -55 °C TO +125 °C

**AVG. POWER:** 1 WATT (POWER INPUT DERATED LINEARLY FROM 25 °C TO .5 WATTS AT 125 °C)



MATERIAL: SEE NOTES	DIMENSIONS ARE IN INCHES TOLERANCES: FRACTIONAL: ±1/64 ANGULAR: X° ±1'0" X'X' ±15'	UNLESS OTHERWISE SPECIFIED 1) ALL DIMENSIONS ARE IN INCHES (MILLIMETERS) 2) ALL DIMENSIONS ARE AFTER PLATING. 3) BREAK CORNERS & EDGES .005 R. MAX. 4) CHAM. 1ST & LAST THREADS. 5) SURFACE ROUGHNESS 63-MIL-STD-10. 6) DIA.'S ON COMMON CENTERS TO BE CONCENTRIC WITHIN .005 T.I.R. 7) REMOVE ALL BURRS	 <p>Amphenol www.svmicrowave.com</p>
FINISH: SEE NOTES	DECIMAL: X ±.030 .XX ±.010 .XXX ±.005	INTERPRET DIMENSIONS AND TOLERANCES PER ASME Y14.5M - 1994	
SURFACE AREA: N/A	THIRD ANGLE PROJECTION	DRAWN: MGT 01/14/05	TITLE: SMA 1 WATT PLUG TERMINATION
<p><b>PROPRIETARY</b></p> <p>THE INFORMATION CONTAINED IN THIS DRAWING IS THE SOLE PROPERTY OF SV MICROWAVE, INC. ANY REPRODUCTION IN PART OR AS A WHOLE WITHOUT THE WRITTEN PERMISSION OF SV MICROWAVE, INC IS PROHIBITED.</p>		CHECKED: CCC 01/14/05	SIZE DWG. NO. <b>B</b> 8018-6061
		APPROVED: CCC 01/14/05	SCALE: 8:1 SHEET 1 OF 1