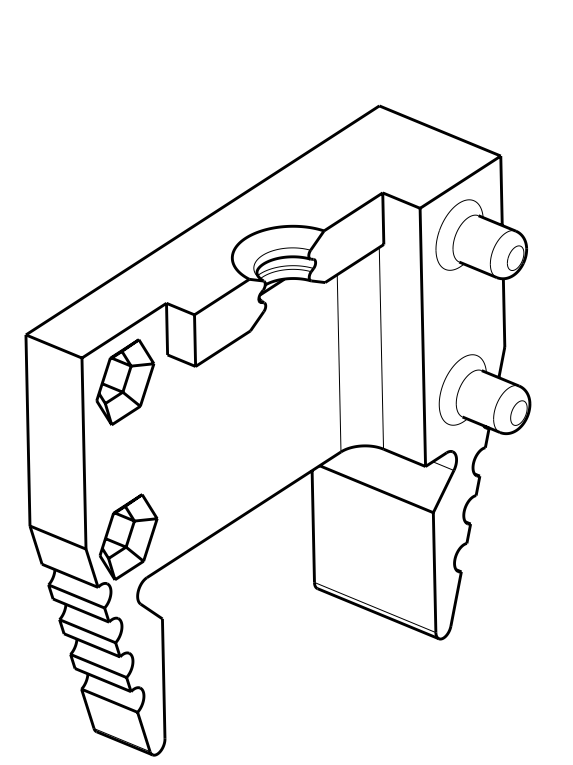
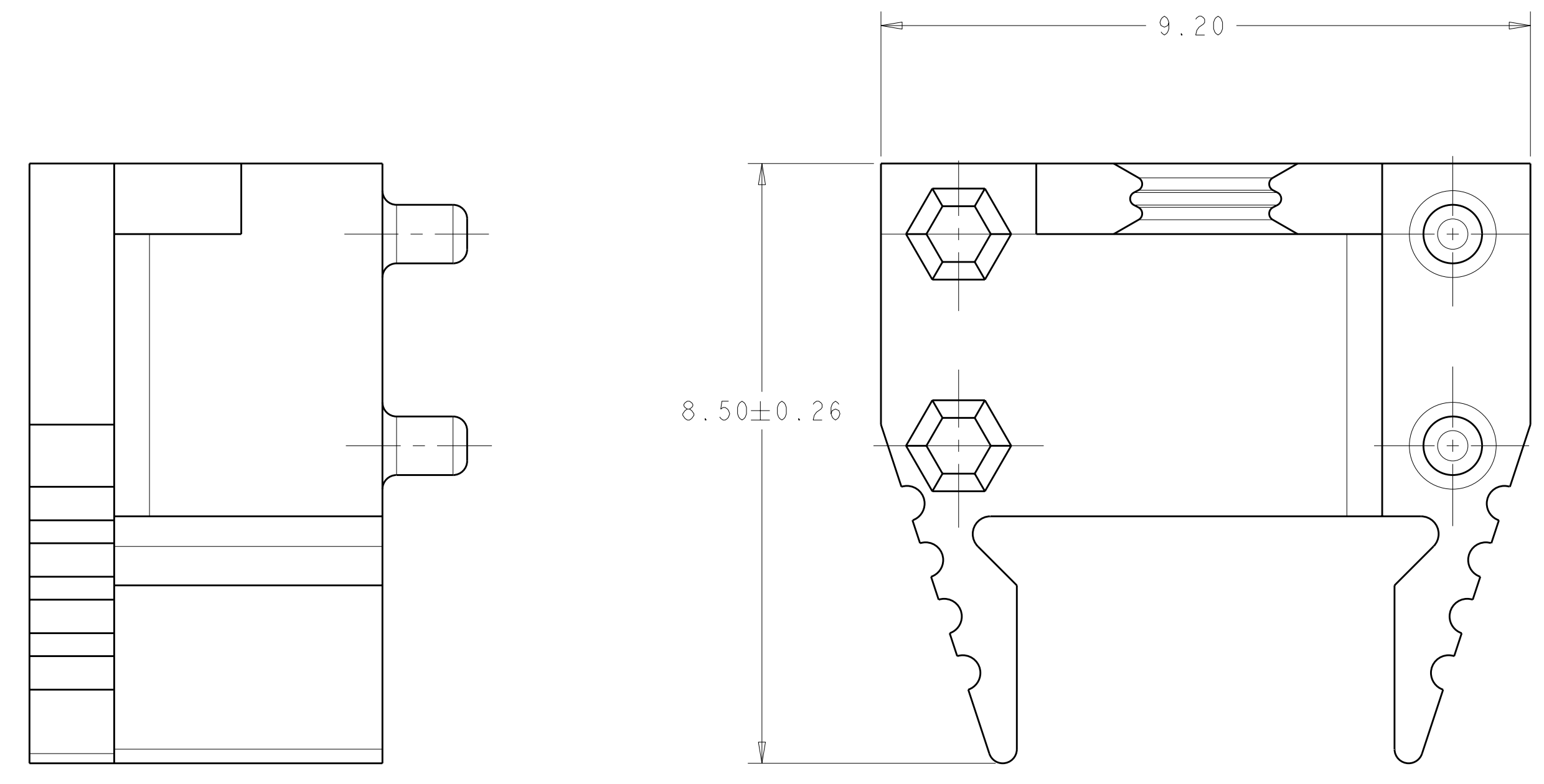
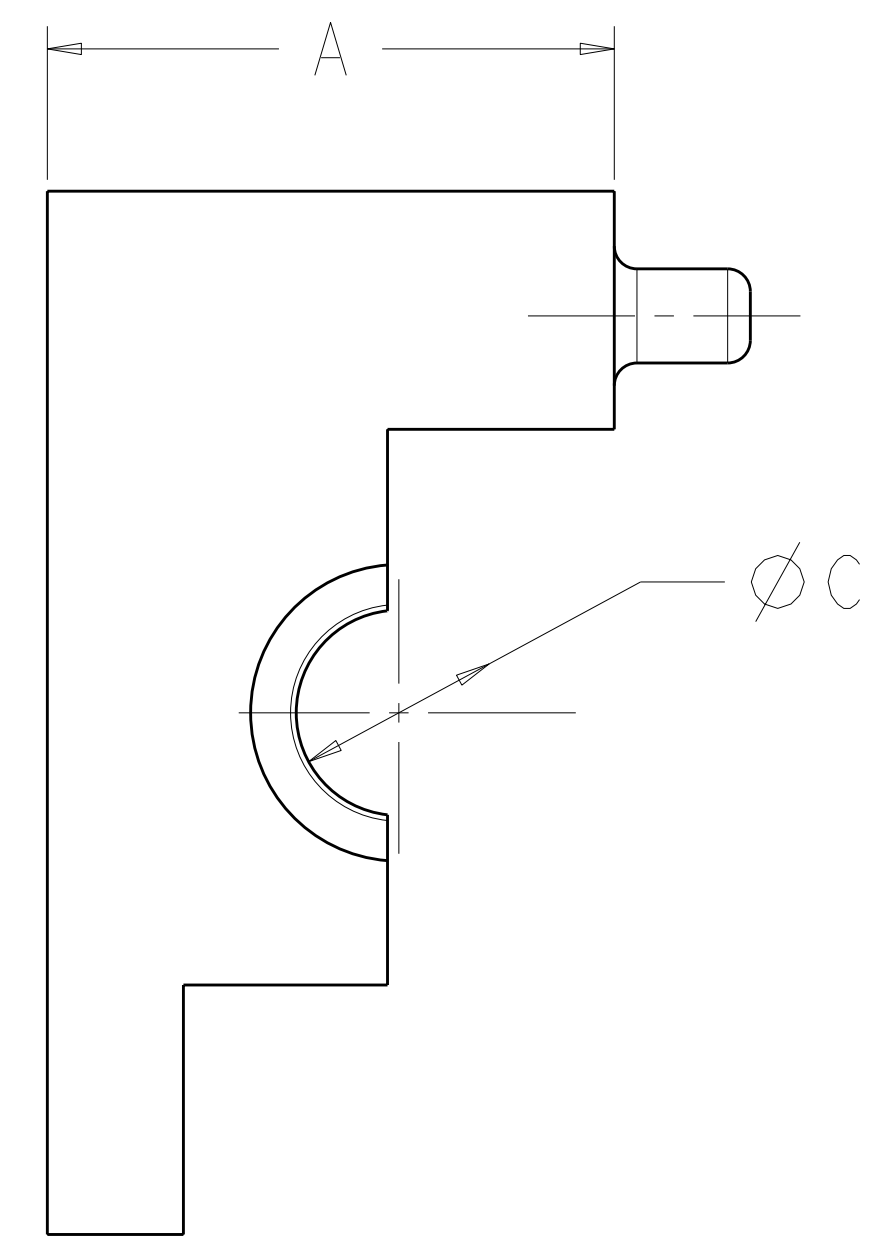
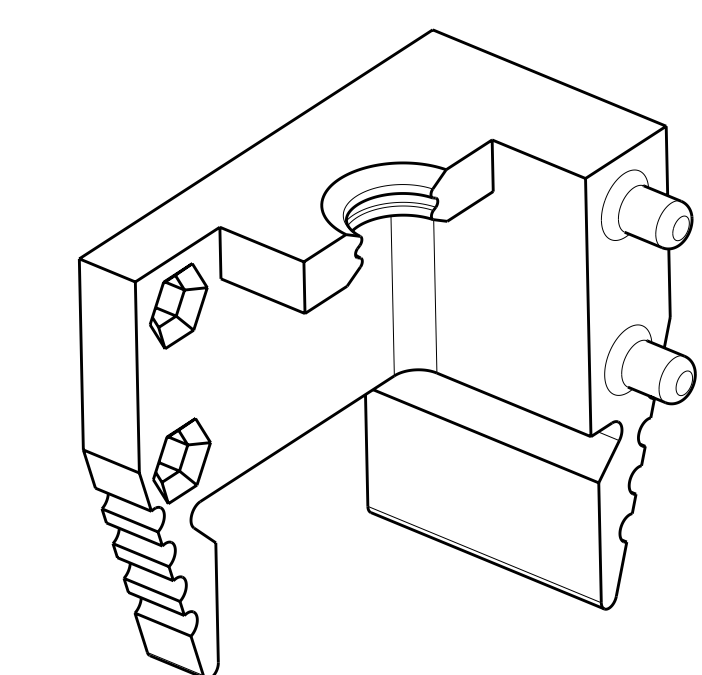


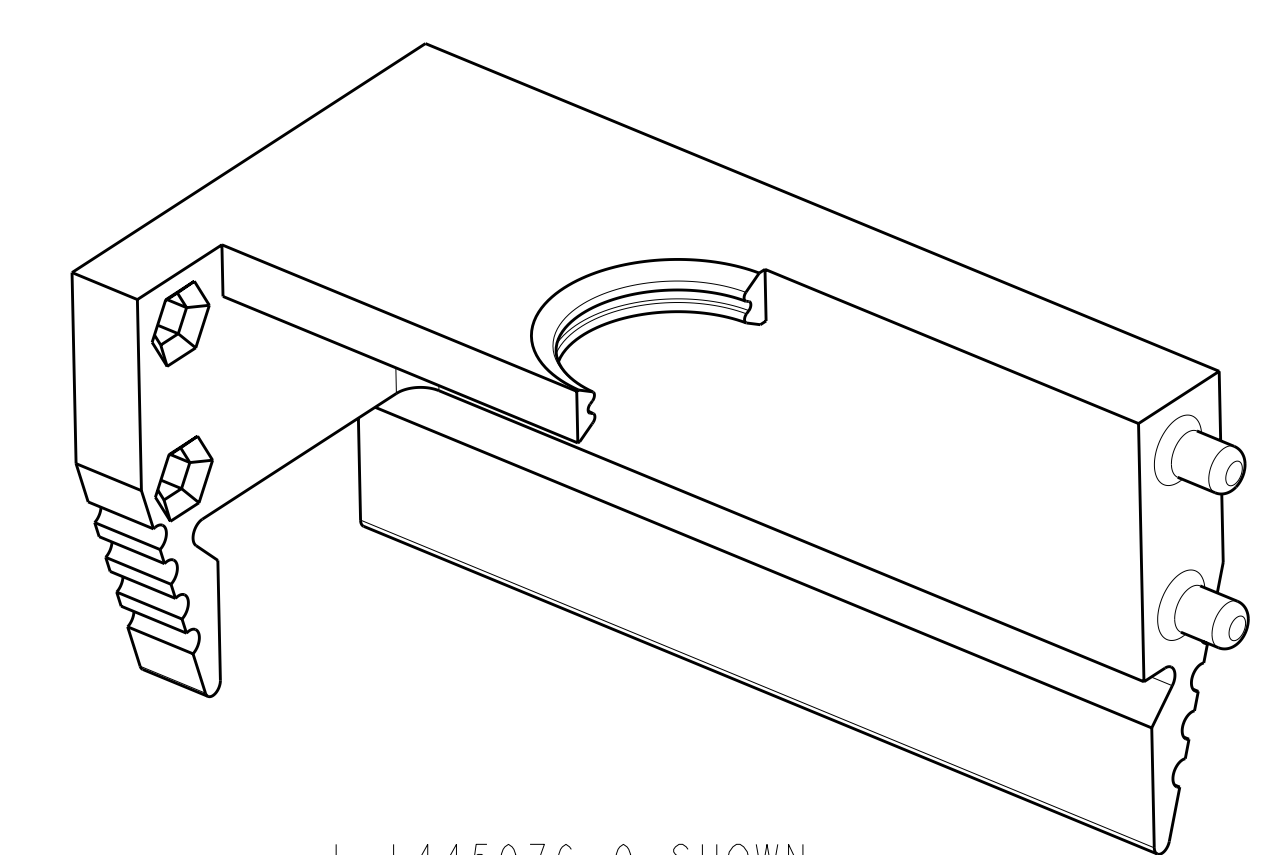
- 1. UL 94V-0 RATED LCP.
- 2. TWO PIECES REQUIRED PER CONNECTOR ASSEMBLY.
- 3. BULK PACKAGED.
- 4. OBSOLETE PARTS: OBSOLETE CIS STREAMLINING PER D.RENAUD/D.SINISI



1445976-1 SHOWN
SCALE 8:1



1445976-4 SHOWN
SCALE 8:1



1-1445976-9 SHOWN
SCALE 8:1

LOC	DIST	REV	DATE	BY	CHK	APPV
AD	00					

REV	DATE	DESCRIPTION	DATE	BY	CHK	APPV
2	9.20	WAS 9.00, REV TABLE, REV SHT TOL	18NOV2002	RLK	LB	
3		CHANGE TABLE DIMENSIONS A	19MAR03	WGL	LB	
0		REV PER 0G3C-0616-03	02DEC03	RB	DR	
01		REVISED PER ECO-09-025699	08DEC2009	KK	AEG	

	C	A	NO. OF POS.	PART NUMBER
OBSOLETE 4	3.90	17.00	40	1-1445976-9
	3.80	16.20	38	1-1445976-8
	3.70	15.40	36	1-1445976-7
	3.60	14.60	34	1-1445976-6
	3.50	13.80	32	1-1445976-5
	3.40	13.00	30	1-1445976-4
	3.30	12.20	28	1-1445976-3
OBSOLETE 4	3.20	11.40	26	1-1445976-2
	3.10	10.60	24	1-1445976-1
	3.00	9.80	22	1-1445976-0
	2.91	9.00	20	1445976-9
	2.69	8.20	18	1445976-8
	2.47	7.40	16	1445976-7
	2.25	6.60	14	1445976-6
OBSOLETE 4	2.03	5.80	12	1445976-5
	1.81	5.00	10	1445976-4
	1.59	4.20	8	1445976-3
	1.37	3.40	6	1445976-2
	1.15	2.60	4	1445976-1

DIMENSIONS: mm 		TOLERANCES UNLESS OTHERWISE SPECIFIED: 9 PLC ± 1 PLC ±0.08 2 PLC ± 3 PLC ± 4 PLC ± ANGLES ±1		DWN D. FABIAN 06AUG2002 CHK L. BREKOSKY 05DEC2002 NAME PRODUCT SPEC APPLICATION SPEC 114-13051 WEIGHT CUSTOMER DRAWING		Tyco Electronics Corporation Harrisburg, PA 17105-3608 AMPMODU MICRO INTERCONNECT HERMAPHRODITIC STRAIN RELIEF SIZE CAGE CODE DRAWING NO. RESTRICTED TO A11 00779 C=1445976 SCALE 15:1 SHEET 1 OF 1 REV 01	
-----------------------	--	--	--	---	--	--	--