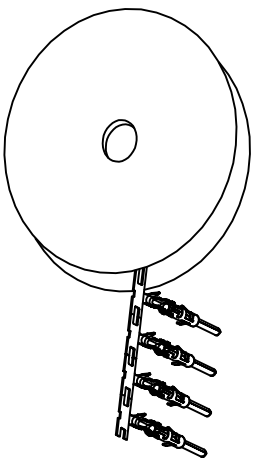


REVISIONS				
REV	ECO	DESCRIPTION	DATE	BY APPR
A1	-	RELEASED DRAWING	Jul-16-18	Flan Tommy



CONTACT ORIENTATION ON ROLL(3000PCS/COIL)

NOTES : (UNLESS OTHERWISE SPECIFIED)
 1. MATERIAL :

- 1.1. CONTACT BODY : COPPER ALLOY.
- 1.2. OUTER SPRING : STAINLESS STEEL.

2. SPECIFICATIONS :

- 2.1 CURRENT RATING : 13A MAX.
- 2.2 TERMINATION TYPE : CRIMPING.
- 2.3 WIRE RANGE : 22~20AWG.
- 2.4 WIRE INSULATION DIA(MAX) : ϕ 2.5mm.

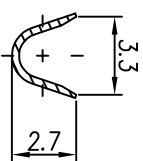
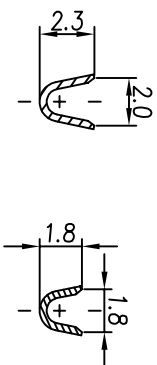
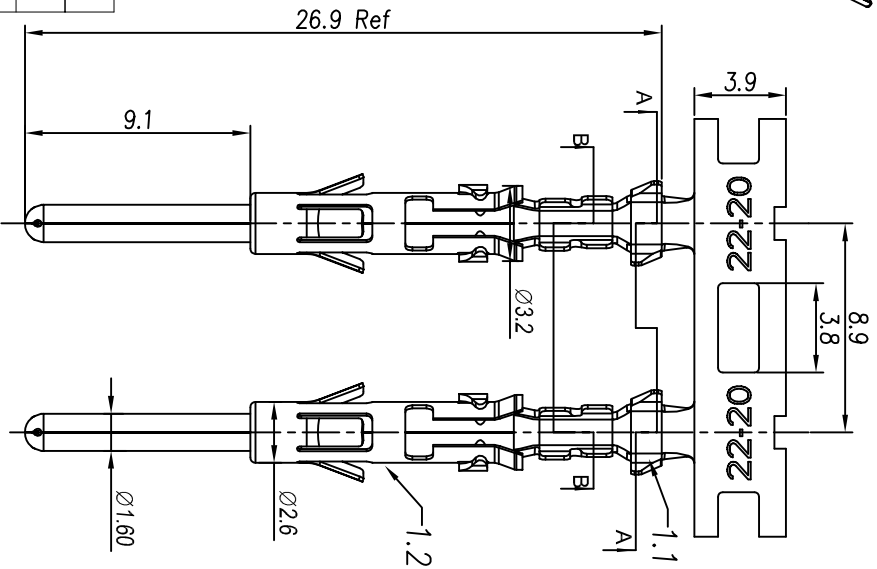
3. RoHS COMPLIANT.

4. ALL DIMENSIONS ARE FOR REFERENCE USE ONLY.

5. AVAILABLE TOOLS :

- 5.1 HAND CRIMPER : MFX-3954.
- 5.2 CRIMP APPLICATOR : MFX-3957.
- 5.3 EXTRACTION TOOL : QXRT16.

P/N	CONTACT PLATING(MATING AREA)
SP20M2T	TIN PLATING OVER NICKEL.
SP20M2N	NICKEL PLATING OVER COPPERIZE.
SP20M2F	GOLD FLASH PLATING OVER NICKEL.
SP20M2G5	5 μ "GOLD PLATING OVER NICKEL.
SP20M2G10	10 μ "GOLD PLATING OVER NICKEL.
SP20M2G15	15 μ "GOLD PLATING OVER NICKEL.
SP20M2G30	30 μ "GOLD PLATING OVER NICKEL.



SECTION A-A

SECTION B-B

QUANTITY	PART NUMBER	DESCRIPTION	ITEM
MATERIALS LIST			
UNLESS OTHERWISE SPECIFIED 1) All dimensions are in millimeters. 2) Tolerances are as follows: 1 PL DEC 20.30 Fractions 1/16" 3 PL DEC 20.08 Fractions 1/16" 3) Note reference = Δ			
PROCESS SPECIFICATIONS:		MATERIAL SPECIFICATIONS:	
NEXT ASSY:		CUSTOMER: Tommy Jul-16-18	
TEST DRAWINGS SUPERSEDES ALL PREVIOUS TEST DRAWINGS. SPECIFICATIONS AND PERFORMANCE DATA ARE THE PROPERTY OF AMPHENOL. REPRODUCTION OR TRANSMISSION OF THIS DRAWING WITHOUT THE WRITTEN PERMISSION OF AMPHENOL IS PROHIBITED. ALL DIMENSIONS ARE IN MILLIMETERS. UNLESS OTHERWISE SPECIFIED.		ECO-MATE PIN CONTACT. STAMPED.22-20AWG.SIZE 16	
SIZE	TYPE	DWG NO	REVISION
B	C-	SP20M2XX	A1
SCALE	NONE	SHEET	OF
		1	1

Amphenol

Sine Systems - www.amphenol-sine.com
 44724 Morley Drive
 Clinton Township, MI 48036

ECO-MATE PIN CONTACT.
 STAMPED.22-20AWG.SIZE 16

REV: A1