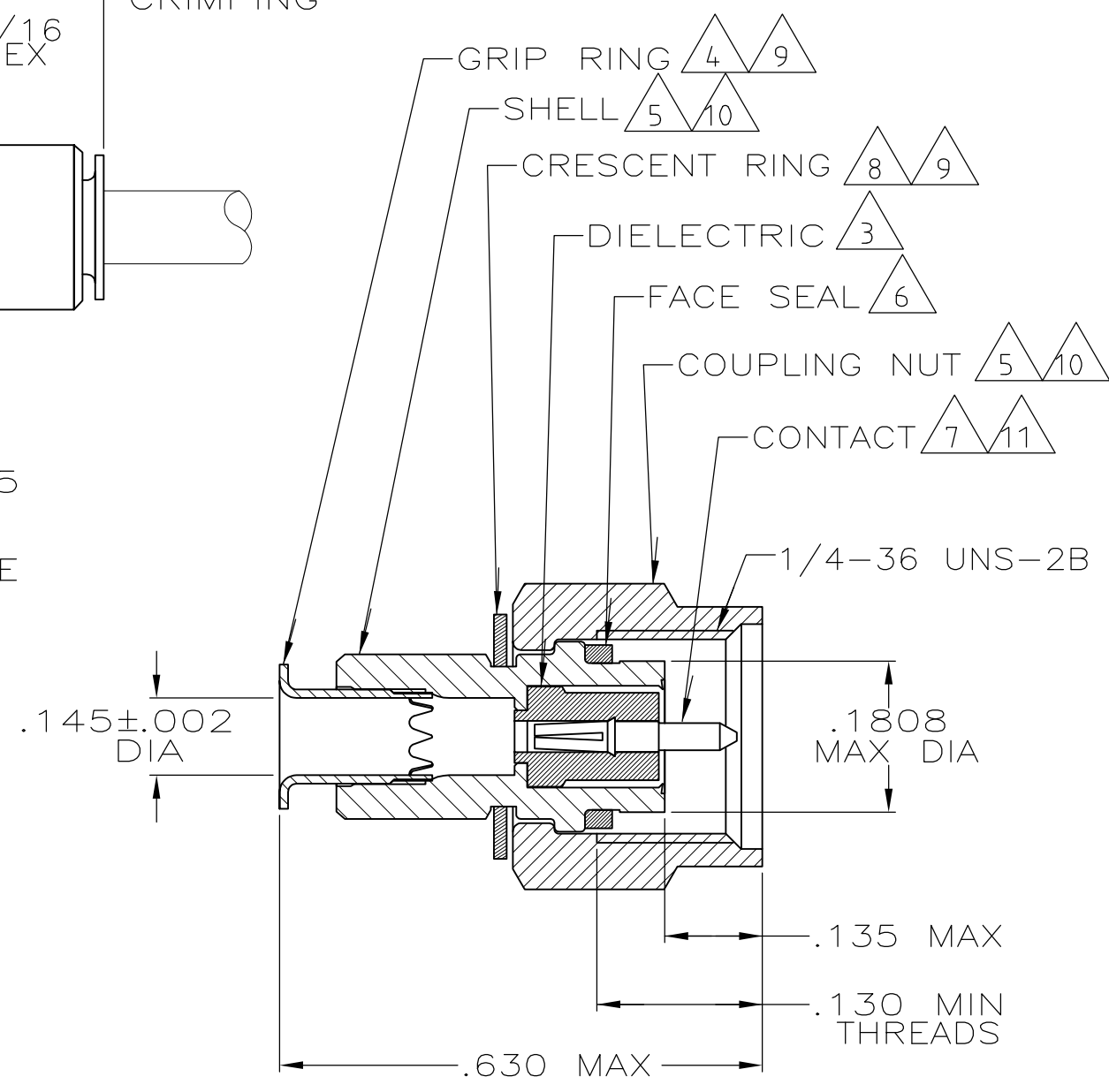
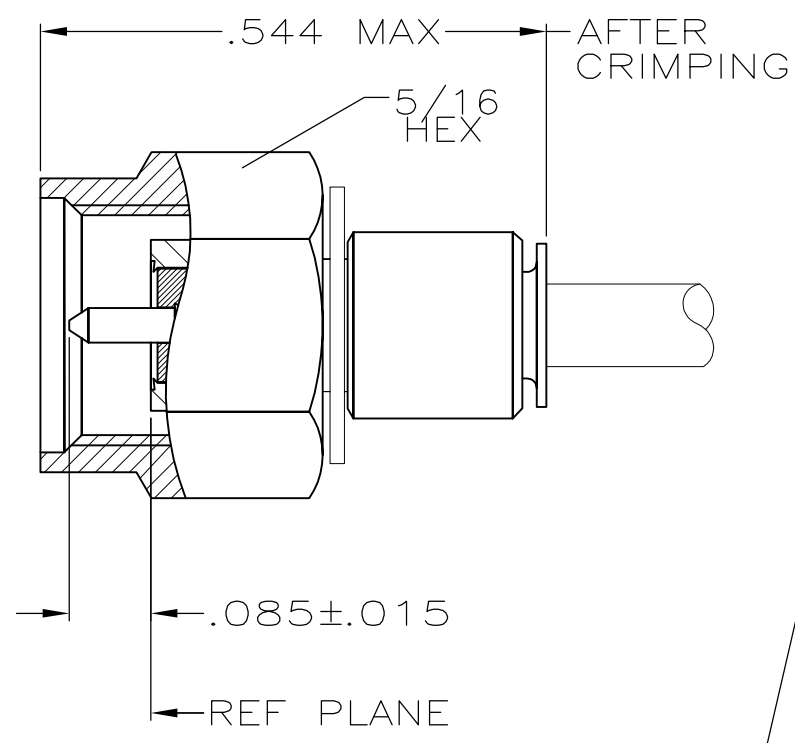
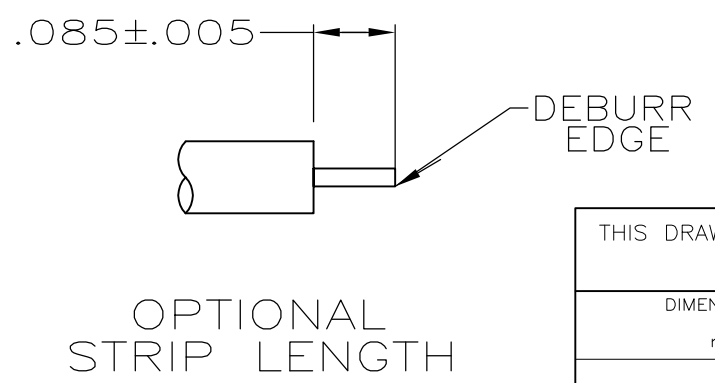
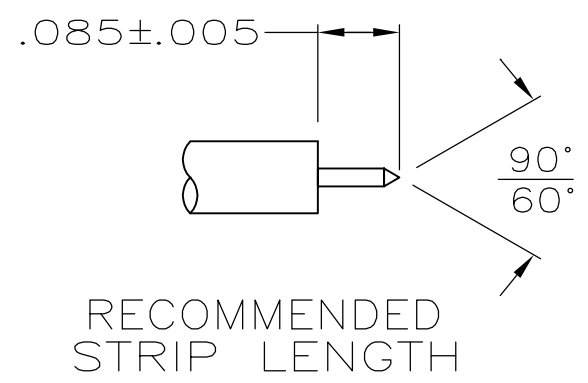


THIS DRAWING IS UNPUBLISHED. RELEASED FOR PUBLICATION
 © COPYRIGHT - By - ALL RIGHTS RESERVED.

LOC	DIST	REVISIONS					
		P	LTR	DESCRIPTION	DATE	DWN	APVD
-	-		K1	REVISED PER ECO-11-005030	11MAR11	RK	HMR



- FOR USE WITH: RG-402/U, .141 SEMI-RIGID CABLE
- SEE I.S. 6788
- PTFE PER ASTM D1710
- BRASS PER ASTM-B-36
- STAINLESS STEEL PER ASTM-A-582
- SILICONE RUBBER PER ZZ-R-765
- BERYLLIUM COPPER PER ASTM-B-197
- BERYLLIUM COPPER, ALLOY #25
- NICKEL PL PER QQ-N-290
- PASSIVATION PER ASTM A967
- GOLD PL PER MIL-G-45204
- 00779 M39012/79B3104
- .500 MIN LENGTH OF STRAIGHT CABLE REQUIRED TO APPLY THE CONNECTOR



227743-1
 PART NO

THIS DRAWING IS A CONTROLLED DOCUMENT.		DWN K.HEILIG 8-12-87	STE TE Connectivity		
DIMENSIONS: mm		CHK M.SNEED 8-12-87			
TOLERANCES UNLESS OTHERWISE SPECIFIED:		APVD M.WALMSLEY 8-12-87	NAME PLUG, MIL-B, SERIES SMA		
0 PLC ± -		PRODUCT SPEC 108-12055	-		
1 PLC ± -		APPLICATION SPEC	-		
2 PLC ± -		SIZE	CAGE CODE	DRAWING NO	RESTRICTED TO
3 PLC ± -		-	-	A3 00779 C-227743-1	-
4 PLC ± -		WEIGHT	-		
ANGLES ± -		CUSTOMER DRAWING			
MATERIAL 3 THRU 8		FINISH 9 THRU 11		SCALE 5:1	SHEET 1 OF 1
				REV K1	