

MATERIALS AND FINISHES

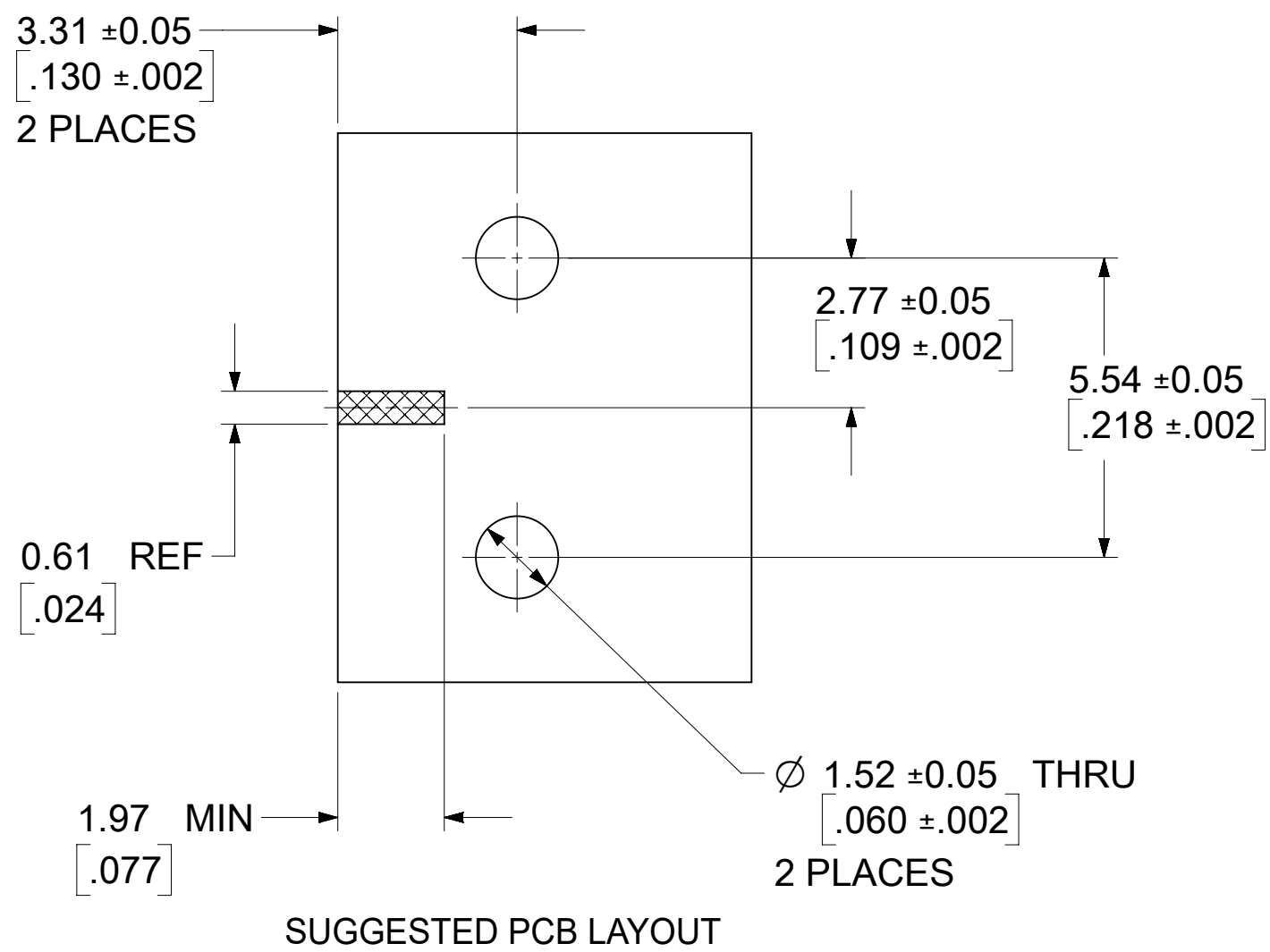
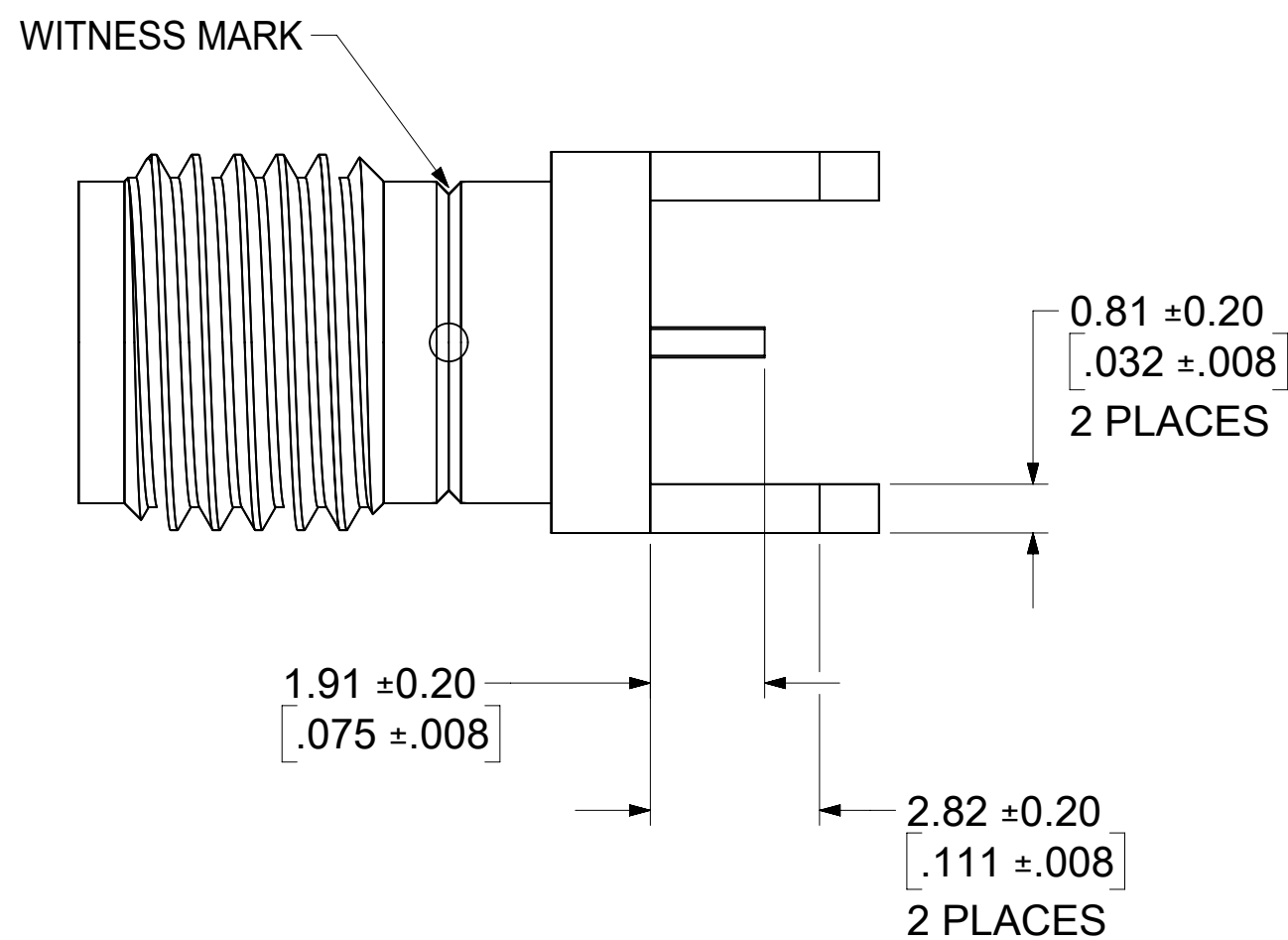
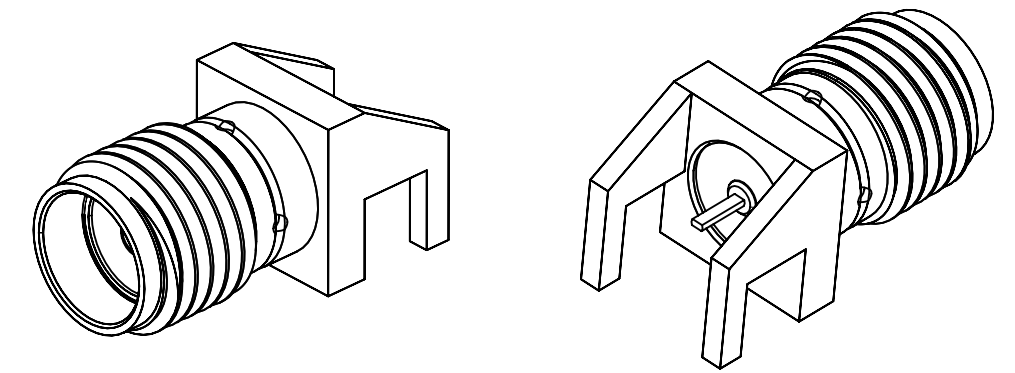
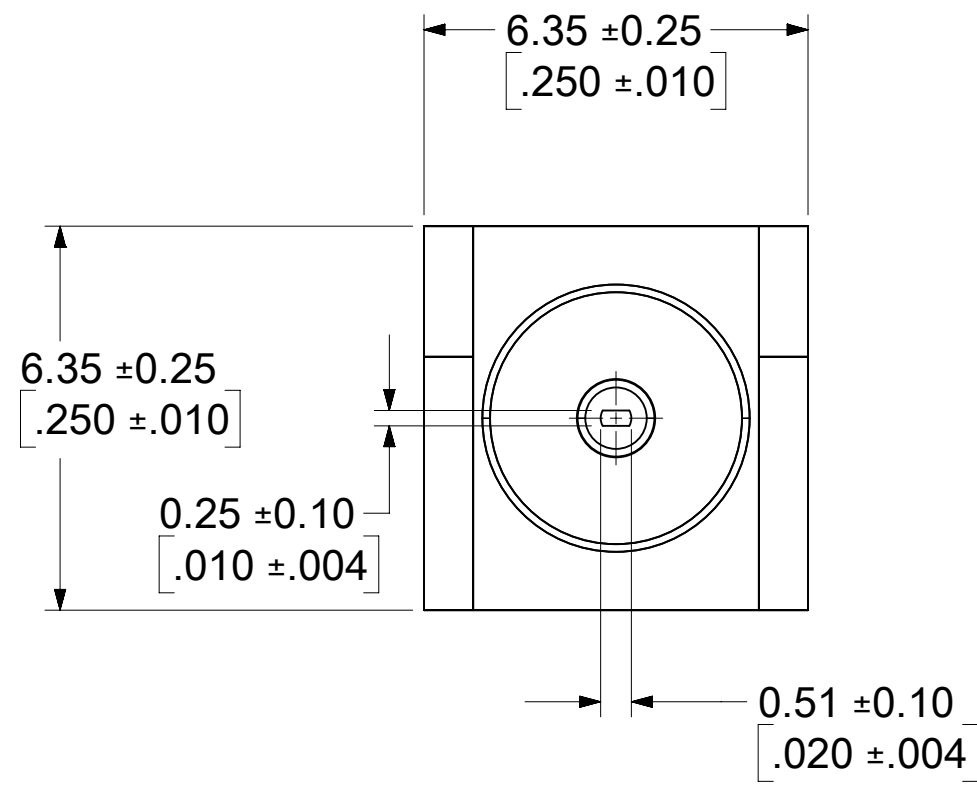
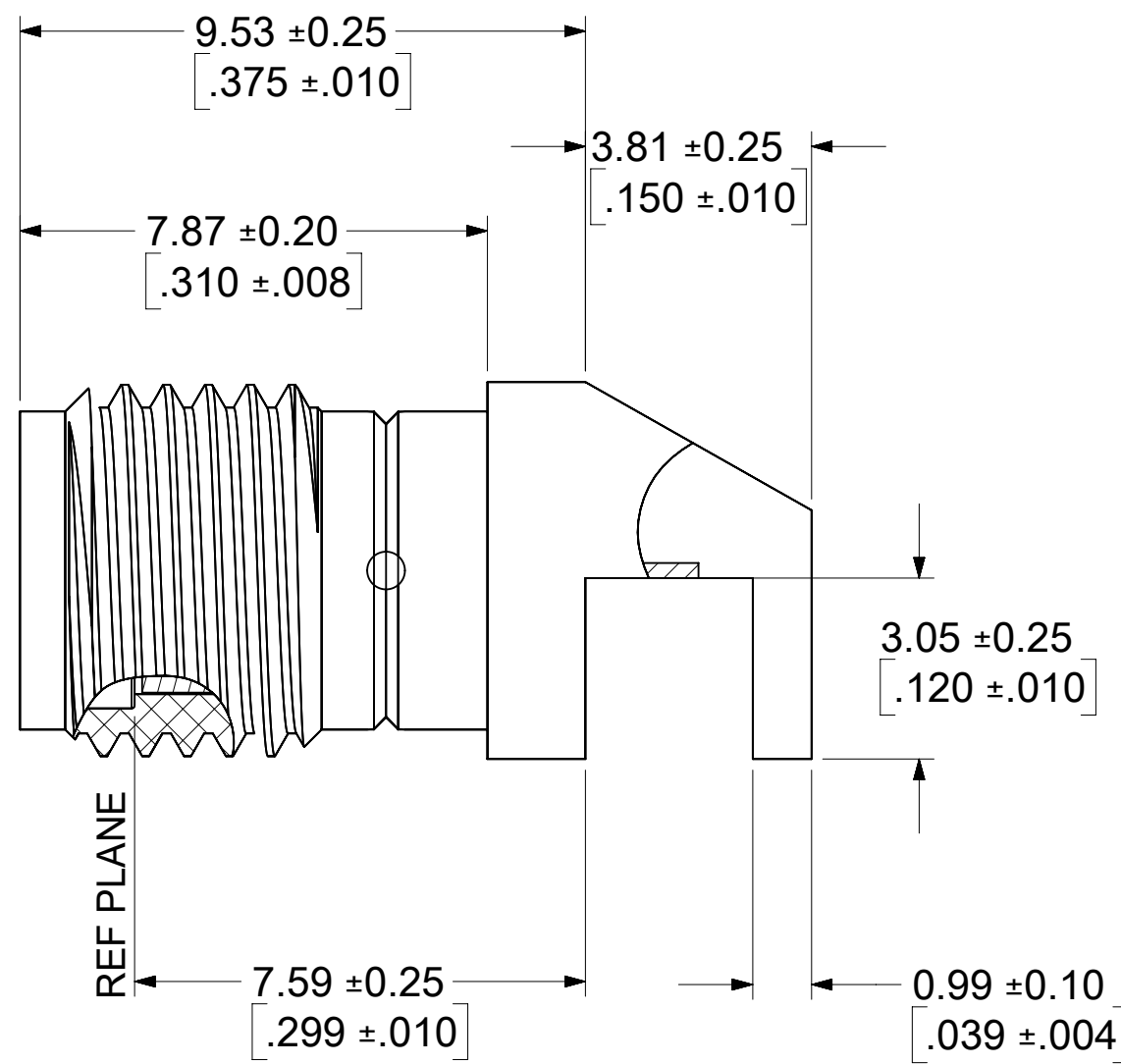
BODY: BRASS
PLATED SEE TABLE

INSULATOR: TEFLON

CONTACT: BERYLLIUM COPPER
PLATED SEE TABLE

PACKAGE SEE 895420040 DRAWING

CENTER CONTACT RETENTION:
TORQUE: 4 IN-OZ
AXIAL: 6 LBS



PS-89675-3460	PRODUCT SPECIFICATION
MIL-STD-348A, FIG. 310.2	INTERFACE SMA JACK
SPECIFICATION	DESCRIPTION

73251-2442	GOLD 1 u" MIN.	GOLD 1 u" MIN.
73251-2441	GOLD 3 u" MIN.	GOLD 50 u"
73251-2440	GOLD 3 u" MIN	GOLD 30 u"
PART NO.	BODY PLATING	CENTER CONTACT PLATING

THIS DRAWING CONTAINS INFORMATION THAT IS PROPRIETARY TO MOLEX ELECTRONIC TECHNOLOGIES, LLC AND SHOULD NOT BE USED WITHOUT WRITTEN PERMISSION									
FUNCTIONAL SYMBOLS	DIMENSION UNITS	SCALE	CURRENT REV DESC:						
FA = 0	MM/INCH	NTS	EWR # 14997-A ADDED -2442 PART NO						
EA = 0	GENERAL TOLERANCES (UNLESS SPECIFIED)		EC NO: 698778						
EP = 0	ANGULAR TOL ± 2.0°		DRWN: JSU18 2022/02/14						
DIVISIONAL SYMBOLS	4 PLACES ±		CHK'D: YCHENG 2022/03/17						
	3 PLACES ±		APPR: YCHENG 2022/03/17						
	2 PLACES ±		INITIAL REVISION:						
	1 PLACE ±		DRWN: AROBERTS 2004/08/12						
	0 PLACES ±		APPR: JWIENER 2004/08/12						
DRAFT WHERE APPLICABLE MUST REMAIN WITHIN DIMENSIONS		THIRD ANGLE PROJECTION	DRAWING	SERIES	DOCUMENT NUMBER	CUSTOMER	DOC TYPE	DOC PART	REVISION
			C-SIZE	73251	SD-73251-244	GENERAL MARKET	PSD	001	B1
					MATERIAL NUMBER	CUSTOMER	SHEET NUMBER		
							1 OF 1		