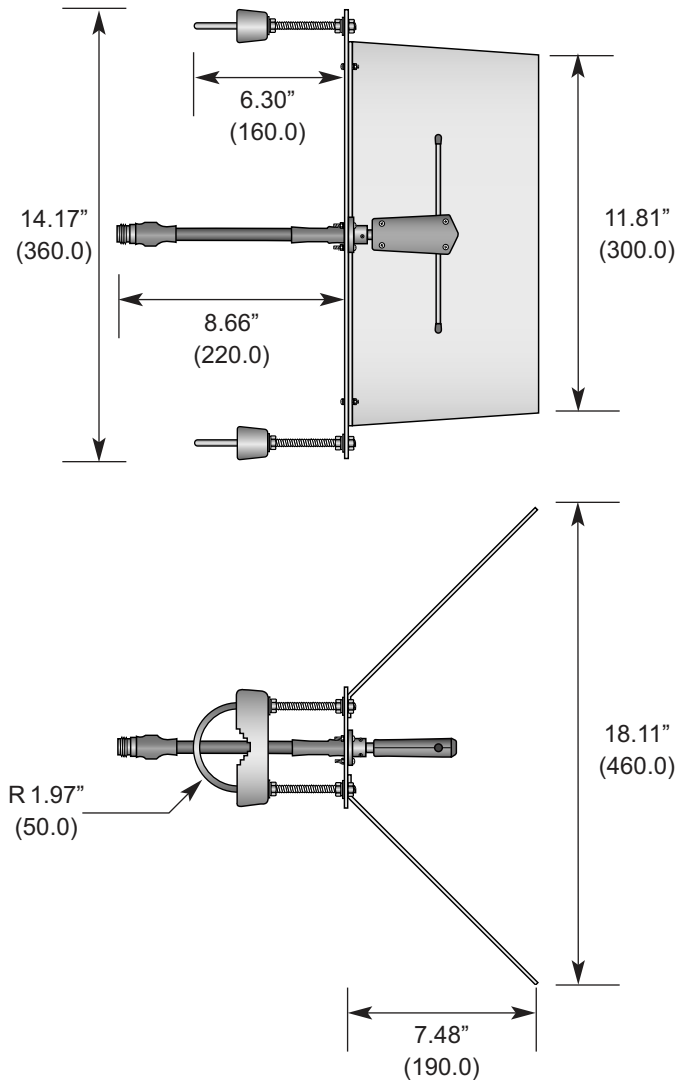


### Product Dimensions



### Description



CN Series corner antennas feature a wide >70MHz bandwidth, 25dB front-to-back ratio, high gain and a wide beamwidth. These rugged antennas are constructed to withstand the stress of long-term use. They are designed for 50-ohm system matches with a maximum input of 100W.

\*NOTE\* Use of these antennas may result in TX and RX emission levels in excess of legal limits.

### Features

- High gain
- Stainless steel construction
- Fully weatherized
- Rugged & damage-resistant
- RG-8/U cable with female N connector

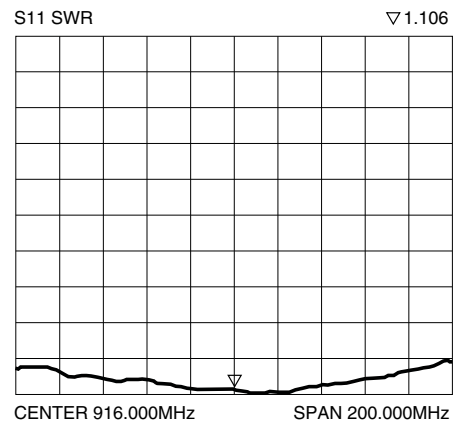
### Electrical Specifications

- Center Freq. 916MHz
- Bandwidth 72MHz
- Polarization Vertical
- VSWR  $\leq 1.5$  typ. at center
- Impedance 50 ohms
- F/B Ratio  $\geq 25$ dB
- Gain 10.2dBi
- Beamwidth 58° horizontal, 52° vertical
- Max. Power 100W
- Connector N-style female
- Weight 2.6lbs (1.2kg)
- Wind Velocity 134.2mph (60m/s)

### Ordering Information

- ANT-916-CN-N

### VSWR Graph



Typical VSWR