

Ratings

Temperature: -40 ~ 70 °C
Voltage: 150 V

Conductor

Gauge: 32 AWG, 0.039 mm²
Material: tinned copper strands
Stranding: ϕ 0.05 x 19
Resistance at 20 °C: 590 Ω /km

Insulator

Material: HDPE
Color: black, white
Outer diameter: ϕ 0.55 \pm 0.05 mm
Nominal thickness: 0.15 mm
Resistance at 20 °C: 1000 M Ω /km

Shield

Type: spiral
Material: tinned copper strands
Strand size: ϕ 0.08 mm
Coverage: 90 % minimum

Outer jacket

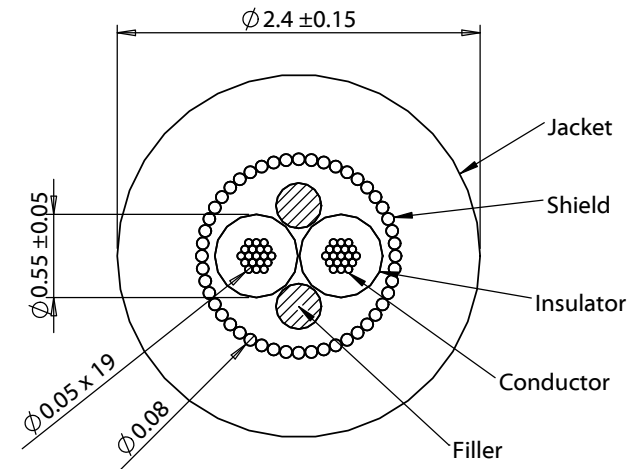
Material: TPU, 70 °C
Color: black
Nominal thickness: 0.50 mm
Diameter: ϕ 2.4 \pm 0.15 mm

Filler

Material: aramid fiber

Tests

Tensile strength: 25.5 kgf
Dielectric test: 1500 V dc for 1 minute without breakdown
Bend test at 200 g, \pm 90 °, 30 cycles /min: 10,000 cycle minimum



REVISION	DATE	DESCRIPTION
A	9/29/2015	Initial release
A1	1/13/2016	Updated notes, corrected tolerances
A2	1/17/2019	Changed filler material to generic name

PREPARED:

AG Digitally signed by AG
Date: 2019.01.18 11:25:53 -08'00'

VERIFIED:

GL Digitally signed by GL
Date: 2019.01.18 12:20:14 -08'00'

DIMENSIONS ARE IN MILLIMETERS

TOLERANCES:
X: \pm 0.5 mm
X.X: \pm 0.3 mm
X.XX: \pm 0.05 mm

NOTES

RoHS and REACH compliant

Jacket meets ISO 10993 Biological Compatibility

Phthalate and halogen free

Function test: no open, no short, no intermittent

DESCRIPTION:

Wire, 2C TS, 32 AWG, 150V, 70C, 2.4 mm, spiral shield, TPU

TENSILITY

20802 Sockeye Place #130
Bend, OR 97701 USA
tel 541.323.3228 fax 541.323.4202
800 877.670.7118 www.tensility.com

SIZE	PART NUMBER
A	30-00650

SCALE: 1:1

SHEET 1 OF 1