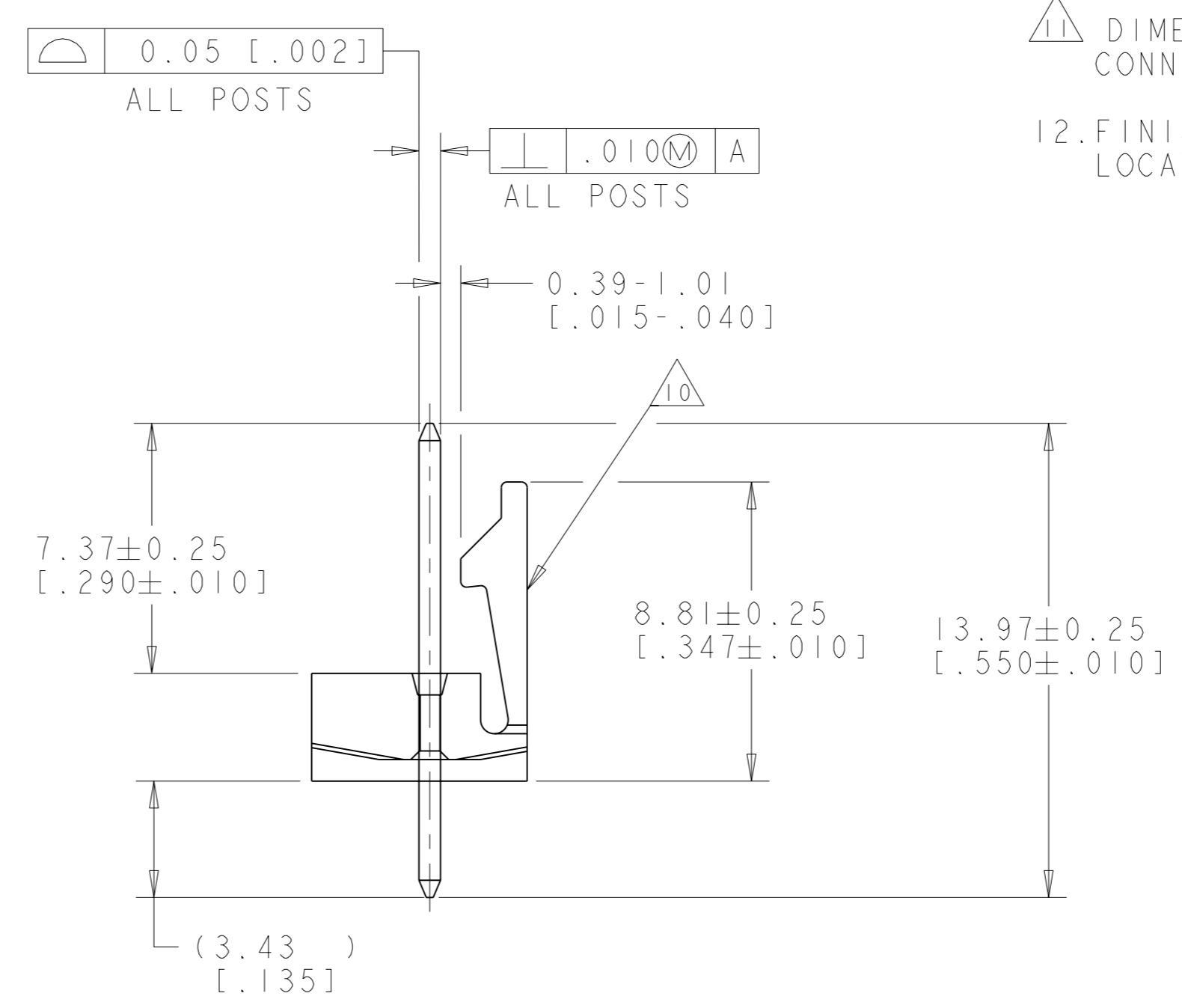
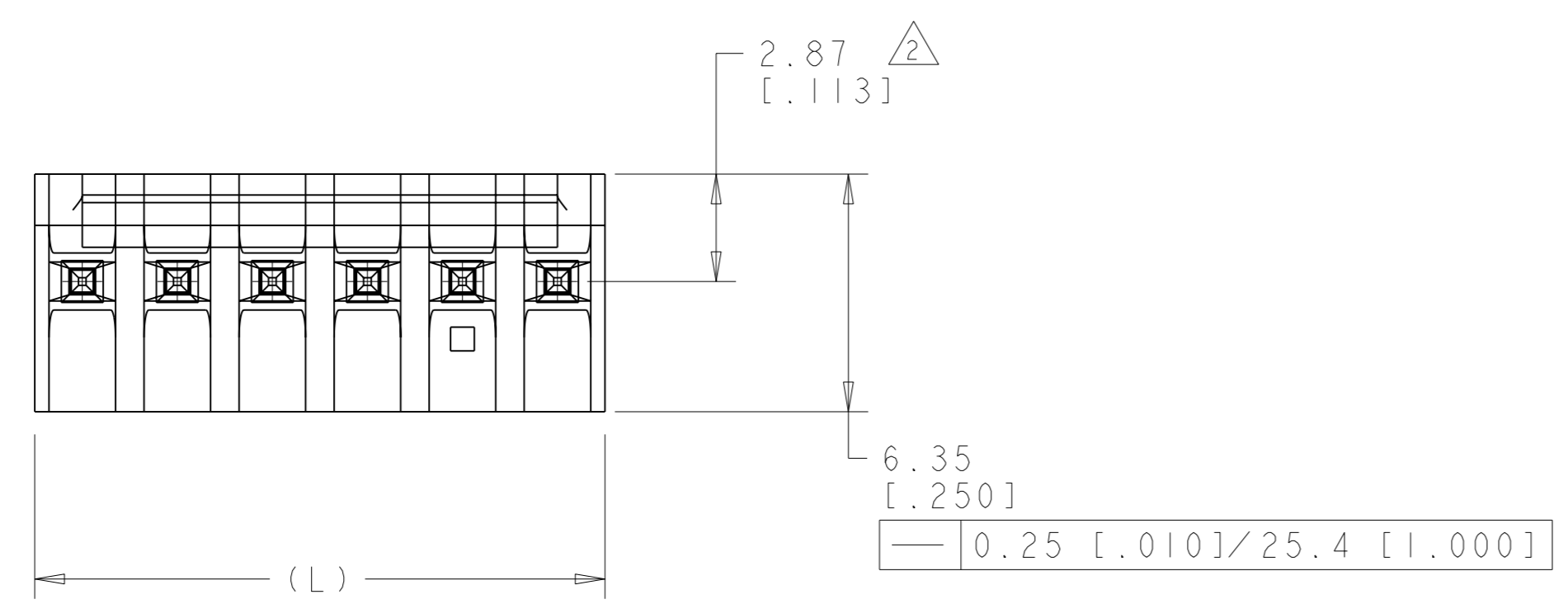
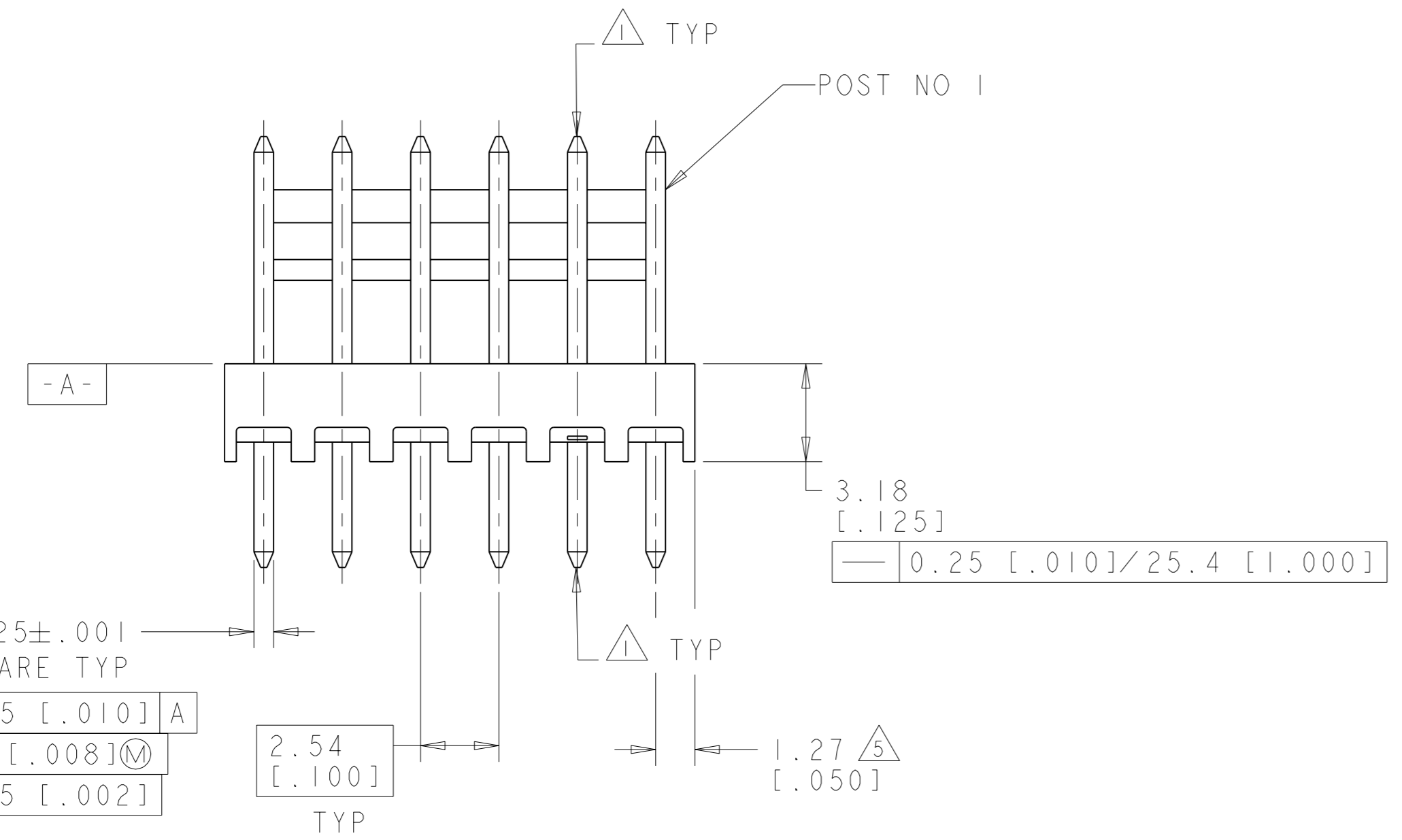


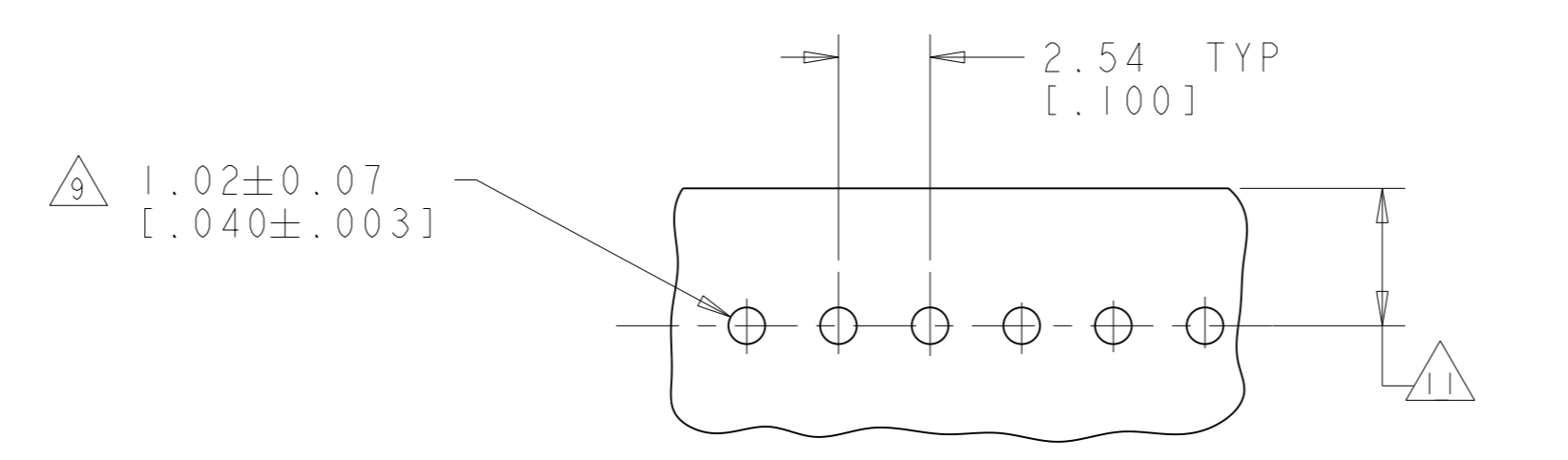
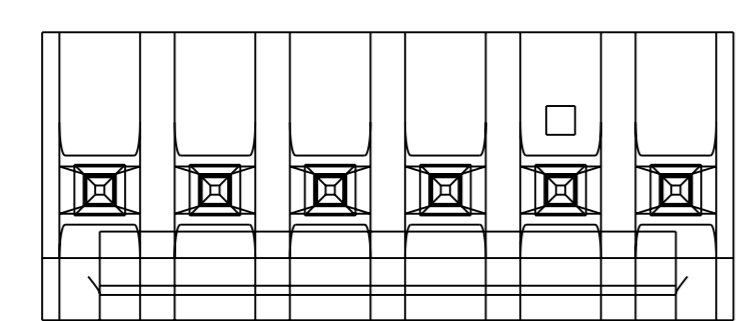
LOC	DIST	REVISIONS				
CM	00	REV	DESCRIPTION	DATE	DWN	APVD
		I	PRE-RELEASED	27-MAY-03	KW	DB
		A	REVISED PER ECO-05-013887	23NOV05	KW	DB



- △ POST WITHSTAND 13 NEWTONS (3 LBS) MIN AXIAL FORCE IN DIRECTION SHOWN WITHOUT DISLODGING.
- △ MEASURED AT -A-.
- 3. PARTS COMPLY WITH SOLDERABILITY SPEC 109-11-2.
- △ MATERIAL: HOUSING - PBT, FLAME RTD, NATURAL.
POST - COPPER ALLOY TIN PLATING.
- △ COORDINATE DIMENSION APPLIES FROM CENTER OF ACTUAL FEATURE.
- △ POSTS TO BE MEASURED WHEN STRIP HELD FLAT.
- 7. DIMENSIONS IN BRACKETS ARE IN INCHES.
- △ TOLERANCES APPLY TO SOLDER SIDE OF BOARD.
- △ ONE HOLE MAY BE UNDERSIZED 0.81-0.89 [.032-.035] DIAMETER FOR ASSEMBLY RETENTION DURING PROCESSING.
- △ AMP LOGO, UL, AND CSA TRADEMARKS TO APPEAR ON THIS SURFACE.
- △ DIMENSION SHOULD BE 3.81 [.150] MIN WHEN MATING WITH A MTA-100 CONNECTOR ASSEMBLY OR A CST 100
- 12. FINISHED PRODUCT TO HAVE <PBT> AND CHINA MARKINGS ON HOUSING - LOCATION AND SIZE AT VENDOR'S DISCRETION.



0.25 [.010] A
0.2 [.008] M
0.05 [.002]



RECOMMENDED MOUNTING HOLE PATTERN △
 FOR 1.6 [.063] THICK P.C. BOARD

PRELIMINARY - NOT FOR PRODUCTION	15.24 [.600]	6	647658-6
PRELIMINARY - NOT FOR PRODUCTION	12.70 [.500]	5	647658-5
PRELIMINARY - NOT FOR PRODUCTION	10.16 [.400]	4	647658-4
PRELIMINARY - NOT FOR PRODUCTION	7.62 [.300]	3	647658-3
	5.08 [.200]	2	647658-2
	L	NO OF POSN	PART NO

METRIC

DIMENSIONS: mm [INCHES]		TOLERANCES UNLESS OTHERWISE SPECIFIED:		DWN: K. WHITAKER 27MAY2003	
0 PLC	±	0.13 (.005)		CHK: D. BOSSI 27MAY2003	NAME: tyco Electronics Harrisburg, PA 17105-3608
1 PLC	±			APVD: D. BOSSI 27MAY2003	PRODUCT SPEC: MTA-100 HEADER ASSEMBLY, POST-LOCK, .025 SQUARE, STRAIGHT POST, TIN PLATED
2 PLC	±			APPLICATION SPEC: -	SIZE: A
3 PLC	±			WEIGHT: -	CAGE CODE: 00779
4 PLC	±			CUSTOMER DRAWING: -	DRAWING NO: 647658
ANGLES	±	40° 30'		SCALE: 1:1	SHEET 1 OF 1