

MATERIAL NO.	ENGINEERING NO.	FINISHED LENGTH
1300080323	309000A01F030	3 FT. (0.91 M)
1300080339	309000A01F400	40 FT. (12.19 M)
1300080344	309000A01F750	75 FT. (22.86 M)

**CABLE LENGTH TOLERANCES**

<.3M [1FT]: +19mm-0 [ +.75in-0]

.3 - .9M [1 - 3FT]: +44.5mm-0 [+1.75in-0]

.9 - 1.8M [3 - 6FT]: +55.6mm-0 [+2.19in-0]

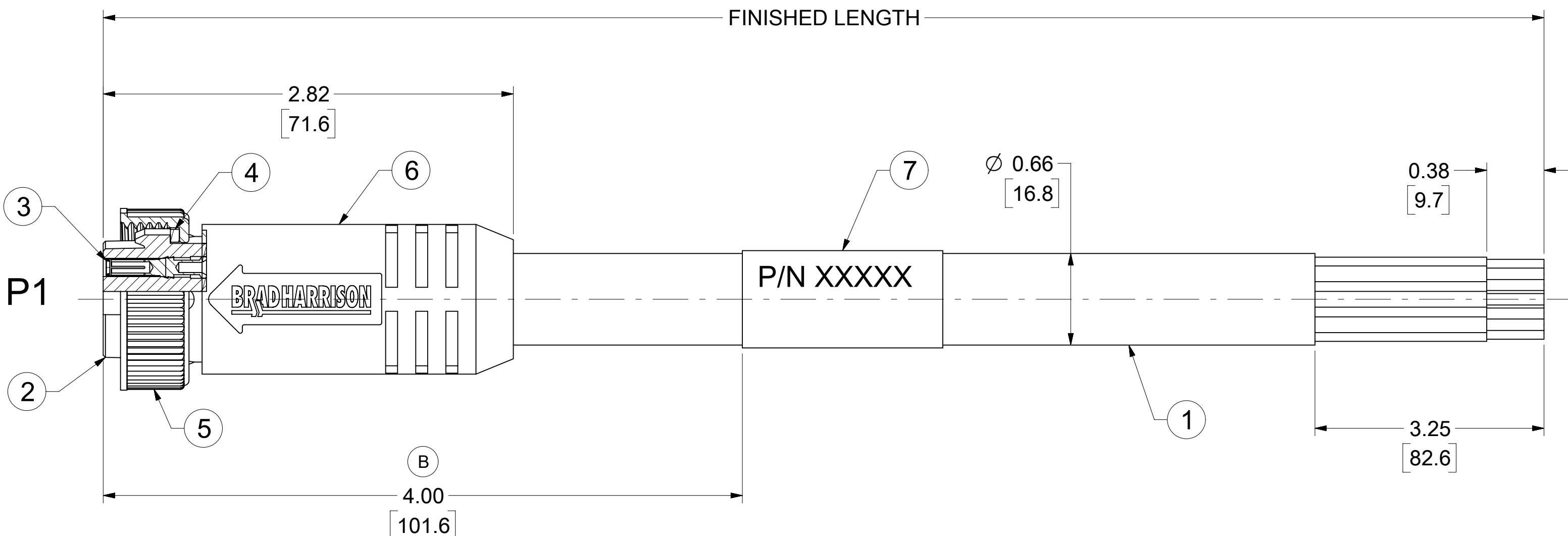
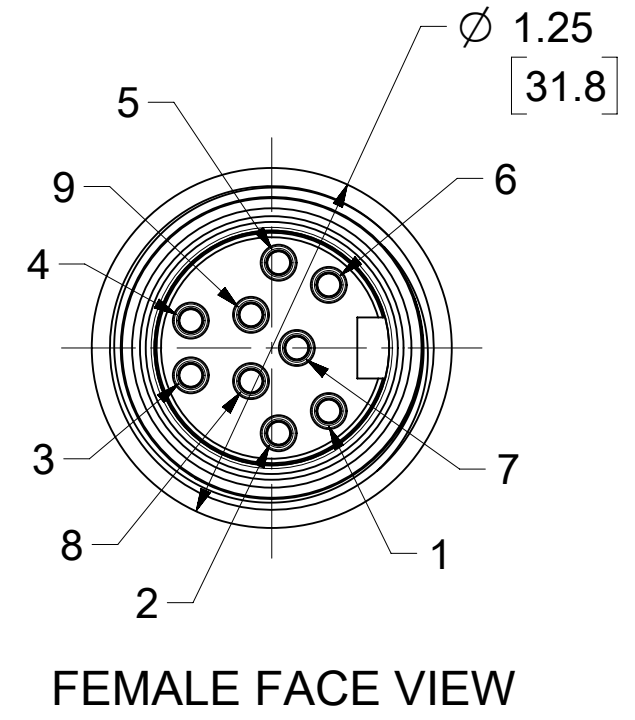
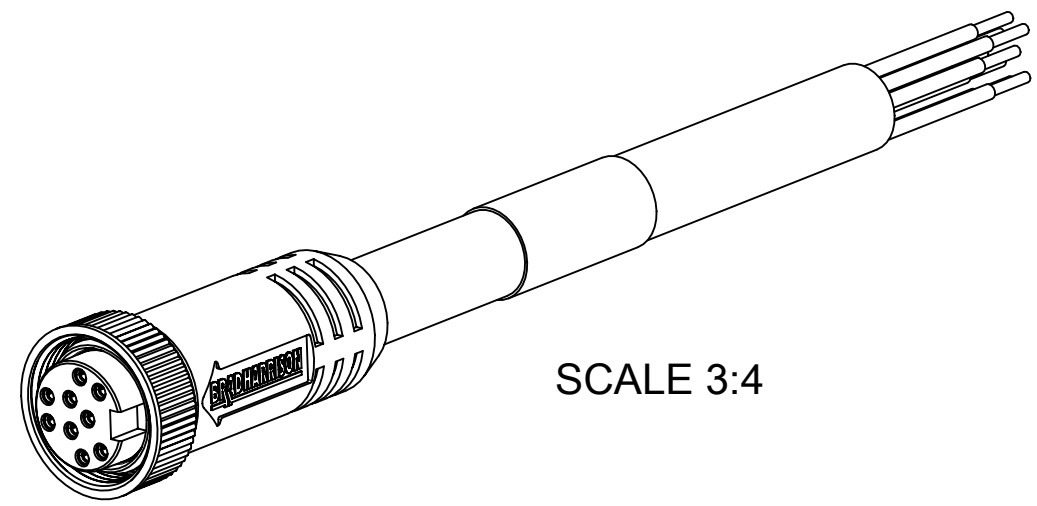
1.8 - 3.7M [6 - 12FT]: +88.9mm-0 [+3.50in-0]

3.7 - 7.3M [12 - 24FT]: +165.1mm-0 [+6.50in-0]

7.3-14.6M [24 - 48FT]: +317.5mm-0 [+12.50in-0]

14.6 - 30.5M [48-100FT]: +622.3mm-0 [+24.50in-0]

OVER 30M [100FT] +2% OF FINISHED LENGTH



- NOTES:**
- MATERIAL: AS NOTED
  - FINISH: AS NOTED
  - ELECTRICAL:  
VOLTAGE: 320V PER IEC60664  
600V PER UL2238  
CURRENT: 7A
  - TEMP RATING: -20°C TO +105°C
  - PROTECTION: IP67 (WHEN MATED)
  - CSA CERTIFIED FILE: LR6837
  - UL RECOGNIZED FILE: E152210
  - COUPLING THREAD: 1 1/8"-16UN
  - ASSEMBLY IS ROHS COMPLIANT
  - ALL DIMS ARE FOR REFERENCE UNLESS TOLERANCED OR NOTED OTHERWISE

**WIRING DIAGRAM**

P1	Color
1	ORANGE
2	BLUE
3	RED/BLACK
4	GREEN/BLACK
5	WHITE
6	RED
7	GREEN/YELLOW
8	WHITE/BLACK
9	BLACK

**PART NUMBER MATRIX**

309000A01F030

FINISHED LENGTH  
F001= .1 FT  
F020= 2 FT  
F200= 20 FT

7	LABEL	VINYL	BLACK/YELLOW
6	OVERMOLD	TPE	YELLOW
5	COUPLING NUT	ZINC DIE CAST	BLACK E-COAT
4	FRICTION RING	NYLON	NATURAL
3	SOCKET CONTACT	Cu ALLOY	GOLD OVER NICKEL
2	FEMALE INSERT	TPE	YELLOW
1	#16-9, CABLE, STOOV/ST	PVC JACKET	YELLOW
ITEM	DESCRIPTION	MATERIAL	FINISH

THIS DRAWING CONTAINS INFORMATION THAT IS PROPRIETARY TO MOLEX ELECTRONIC TECHNOLOGIES, LLC AND SHOULD NOT BE USED WITHOUT WRITTEN PERMISSION

DIMENSION UNITS	SCALE	CURRENT REV DESC: UPDATED ITEM #2.6.7, LABEL DIM. AND MATERIAL P/N TABLE . ADDED CSA, UL, IEC VOLT, TEMP RATING, IP RATING, TOL. CHART AND PART NUMBER MATRIX	<b>molex</b>		
INCH/MM	1.5:1				
GENERAL TOLERANCES (UNLESS SPECIFIED)		EC NO: 673727 DRWN: AKABADI CHK'D: RSTONE APPR: BWOODMAN	MINI-CHANGE CORDSET, C SIZE 9 POLE, FEMALE, STRAIGHT, SINGLE KEY, 16AWG		
4 PLACES	±		2021/06/28	PRODUCT CUSTOMER DRAWING	
3 PLACES	±	2021/08/13	DOCUMENT NUMBER		
2 PLACES	±	2021/08/27	SD-130008-004		
1 PLACE	± 0.3		DOC TYPE   DOC PART   REVISION		
0 PLACES	±		PSD   001   B		
ANGULAR TOL	± 0.5 °	INITIAL REVISION: DRWN: RSTONE APPR: JFMURPHY	MATERIAL NUMBER	CUSTOMER	SHEET NUMBER
DRAFT WHERE APPLICABLE MUST REMAIN WITHIN DIMENSIONS		THIRD ANGLE PROJECTION	SEE TABLE	GENERAL MARKET	1 OF 1
		DRAWING	C-SIZE	SERIES	130008