

Fast LDO Linear Regulator

FEATURES

- Fast Transient Response
- 10mA to 3A Load Current
- Short Circuit Protection
- Maximum Dropout of 450mV at 3A Load Current
- Separate Bias and VIN Pins
- Available in Adjustable or Fixed Output Voltages
- 5 Pin Package allows Kelvin Sensing of Load Voltage
- Reverse Current Protection

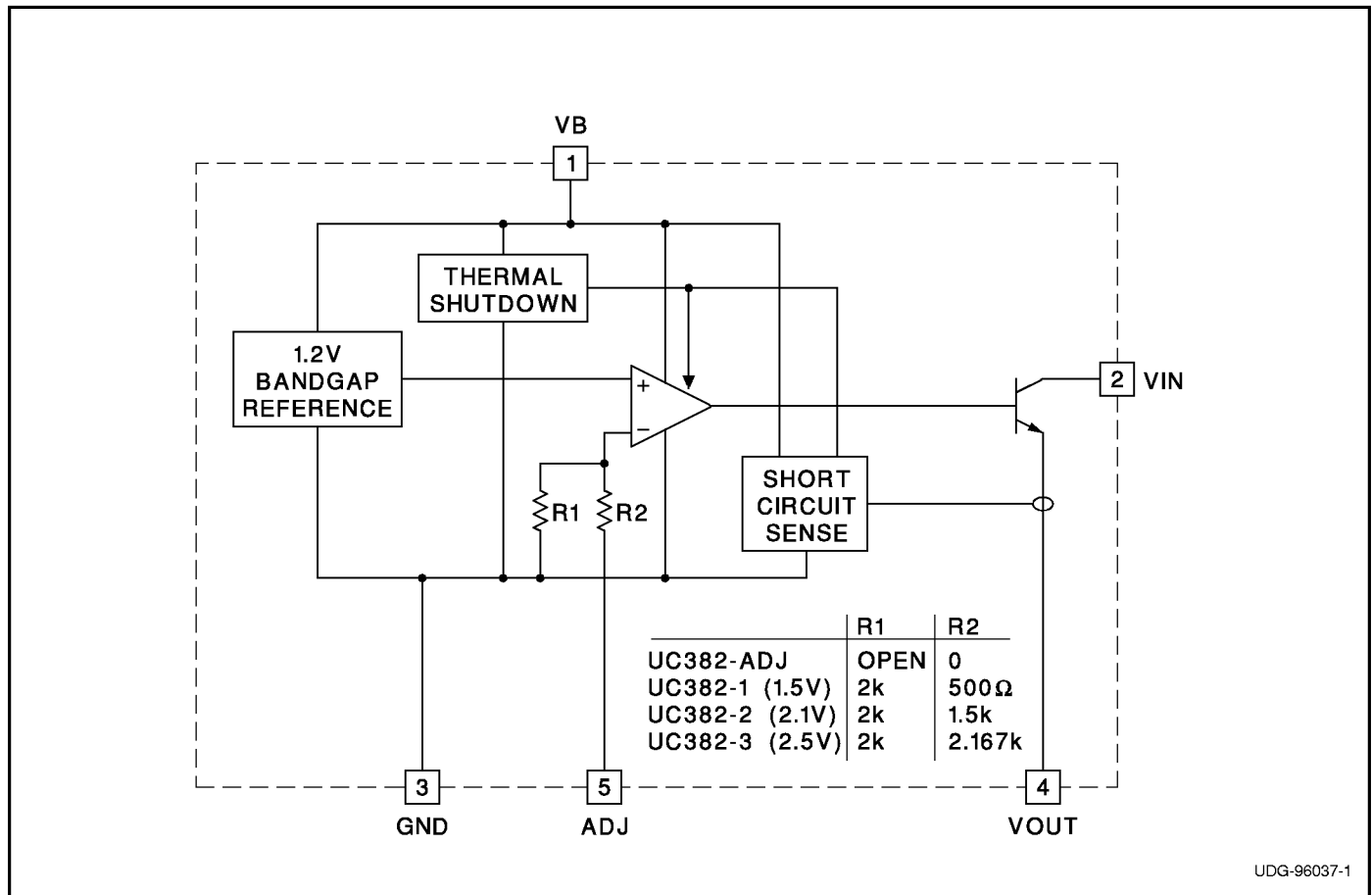
DESCRIPTION

The UC382 is a low dropout linear regulator providing a quick response to fast load changes. Combined with its precision on-board reference, the UC382 excels at driving GTL and BTL buses. Due to its fast response to load transients, the total capacitance required to decouple the regulator's output can be significantly decreased when compared to standard LDO linear regulators.

Dropout voltage (V_{IN} to V_{OUT}) is only 450mV maximum at 100°C and 350mV typical at 3A load.

The on-board bandgap reference is stable with temperature and scaled for a 1.200V input to the internal power amplifier. The UC382 is available in fixed output voltages of 1.5V, 2.1V, or 2.5V. The output voltage of the adjustable version can be set with two external resistors. If the external resistors are omitted, the output voltage defaults to 1.2V.

BLOCK DIAGRAM



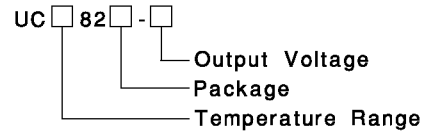
UDG-96037-1

ABSOLUTE MAXIMUM RATINGS

VB	13V
VIN	+7.5V
Output Voltage	+1.2V to 6.0V
Storage Temperature	-65°C to +150°C
Junction Temperature	-55°C to +150°C
Lead Temperature (Soldering, 10 sec.)	+300°C

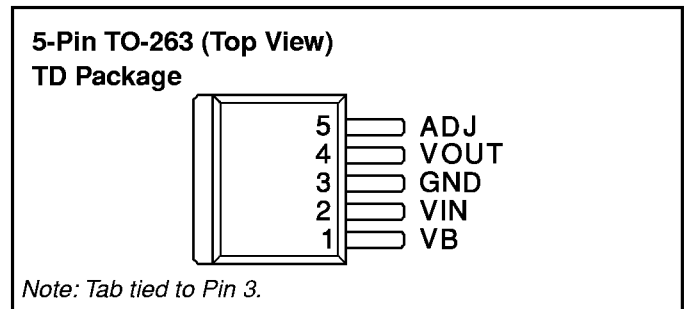
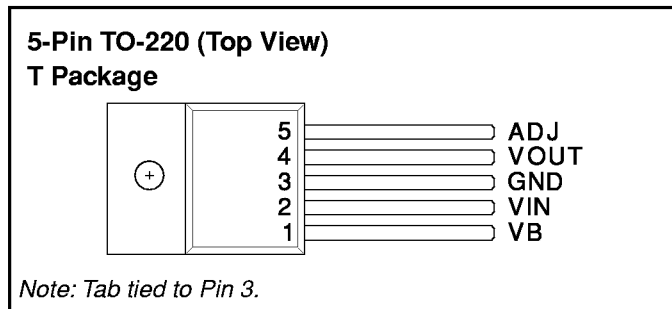
Currents are positive into, negative out of the specified terminal. Consult Packaging Section of Databook for thermal limitations and considerations of packages.

ORDERING INFORMATION



Temperature Range	Package	Output Voltage
1: -55°C to +125°C	T: TO-220	1: 1.5V
2: -25°C to +100°C	TD: TO-263	2: 2.1V
3: 0°C to +100°C		3: 2.5V
		ADJ: 1.2V or Adjustable

CONNECTION DIAGRAMS



ELECTRICAL CHARACTERISTICS: Unless otherwise stated, these parameters apply for $T_A = -55^\circ\text{C}$ to 125°C for the UC182-X series, -25°C to $+100^\circ\text{C}$ for the UC282-X series and 0°C to $+100^\circ\text{C}$ for the UC382-X, $V_B = 5\text{V}$; $V_{IN} = 3.3\text{V}$, $V_{OUT} = 2.5\text{V}$ for the UC382-ADJ, $T_A = T_J$.

PARAMETERS	TEST CONDITIONS	MIN	TYP	MAX	UNITS
UC382-3 Fixed 2.5V, 3A Family					
Output Voltage ($I_{VOUT} = 100\text{mA}$)	UC382-3	2.475	2.500	2.525	V
	UC282-3 and UC182-3	2.450	2.500	2.525	V
Load Regulation	$I_{VOUT} = 10\text{mA}$ to 3A		0.5	4	mV
VIN PSSR		80	100		dB
VB PSSR		50	60		dB
VIN Dropout Voltage = $V_{IN} - V_{OUT}$	$I_{VOUT} = 3\text{A}$, $T_J = 25^\circ\text{C}$		350	425	mV
	$I_{VOUT} = 3\text{A}$, UC382-3		350	450	mV
	$I_{VOUT} = 3\text{A}$, UC282-3 and UC182-3		350	500	mV
VB Dropout = $V_B - V_{OUT}$	$I_{VOUT} = 3\text{A}$, UC382-3		1.8	2.10	V
	$I_{VOUT} = 3\text{A}$, UC282-3		1.8	2.20	V
	$I_{VOUT} = 3\text{A}$, UC182-3		1.8	2.35	V
Short Circuit Current Limit		3.3		4.5	A
VB Current	$I_{VOUT} = 10\text{mA}$		6	9	mA
	$I_{VOUT} = 3\text{A}$		18	60	mA
VIN Current	$I_{VOUT} = 3\text{A}$	2.94	2.97		A
UC382-2 Fixed 2.1V, 3A Family					
Output Voltage ($I_{VOUT} = 100\text{mA}$)	UC382-2	2.079	2.100	2.121	V
	UC282-2 and UC182-2	2.058	2.100	2.121	V
Load Regulation	$I_{VOUT} = 10\text{mA}$ to 3A		0.5	4	mV
VIN PSSR		80	100		dB

UC182-1,-2,-3,-ADJ
UC282-1,-2,-3,-ADJ
UC382-1,-2,-3,-ADJ

ELECTRICAL CHARACTERISTICS: Unless otherwise stated, these parameters apply for $T_A = -55^{\circ}\text{C}$ to 125°C for the UC182-X series, -25°C to $+100^{\circ}\text{C}$ for the UC282-X series and 0°C to $+100^{\circ}\text{C}$ for the UC382-X, $V_B = 5\text{V}$; $V_{IN} = 3.3\text{V}$, $V_{OUT} = 2.5\text{V}$ for the UC382-ADJ, $T_A = T_J$.

PARAMETERS	TEST CONDITIONS	MIN	TYP	MAX	UNITS
UC382-2 Fixed 2.1V, 3A Family (cont.)					
VB PSSR		52	62		dB
VIN Dropout Voltage = $V_{IN}-V_{OUT}$	$I_{VOUT} = 3\text{A}$, $T_J = 25^{\circ}\text{C}$		350	425	mV
	$I_{VOUT} = 3\text{A}$, UC382-2		350	450	mV
	$I_{VOUT} = 3\text{A}$, UC282-2 and UC182-2		350	500	mV
VB Dropout = V_B-V_{OUT}	$I_{VOUT} = 3\text{A}$, UC382-2		1.8	2.10	V
	$I_{VOUT} = 3\text{A}$, UC282-2		1.8	2.20	V
	$I_{VOUT} = 3\text{A}$, UC182-2		1.8	2.35	V
Short Circuit Current Limit		3.3		4.5	A
VB Current	$I_{VOUT} = 10\text{mA}$		6	9	mA
	$I_{VOUT} = 3\text{A}$		18	60	mA
VIN Current	$I_{VOUT} = 3\text{A}$	2.94	2.97		A
UC382-1 Fixed 1.5V, 3A Family					
Output Voltage ($I_{VOUT} = 100\text{mA}$)	UC382-1	1.485	1.500	1.515	V
	UC282-1 and UC182-1	1.470	1.500	1.515	V
Load Regulation	$I_{VOUT} = 10\text{mA}$ to 3A		0.5	4	mV
VIN PSSR		80	100		dB
VB PSSR		55	65		dB
VIN Dropout Voltage = $V_{IN}-V_{OUT}$	$I_{VOUT} = 3\text{A}$, $T_J = 25^{\circ}\text{C}$		350	425	mV
	$I_{VOUT} = 3\text{A}$, UC282-1		350	450	mV
	$I_{VOUT} = 3\text{A}$, UC282-2 and UC182-1		350	500	mV
VB Dropout = V_B-V_{OUT}	$I_{VOUT} = 3\text{A}$, UC382-1		1.8	2.10	V
	$I_{VOUT} = 3\text{A}$, UC282-1		1.8	2.20	V
	$I_{VOUT} = 3\text{A}$, UC182-1		1.8	2.35	V
Short Circuit Current Limit		3.3		4.5	A
VB Current	$I_{VOUT} = 10\text{mA}$		6	9	mA
	$I_{VOUT} = 3\text{A}$		18	60	mA
VIN Current	$I_{VOUT} = 3\text{A}$	2.94	2.97		A
UC382-ADJ Adjustable, 3A Family					
ADJ Voltage ($I_{VOUT} = 100\text{mA}$)	UC382-ADJ	1.188	1.200	1.212	V
	UC282-ADJ and UC182-ADJ	1.176	1.200	1.212	V
Load Regulation	$I_{VOUT} = 10\text{mA}$ to 3A		0.5	4	mV
VIN PSSR	V_{OUT} Programmed for 2.5V	80	100		dB
VB PSSR	V_{OUT} Programmed for 2.5V	50	60		dB
VIN Dropout Voltage = $V_{IN}-V_{OUT}$	$I_{VOUT} = 3\text{A}$, $T_J = 25^{\circ}\text{C}$		350	425	mV
	$I_{VOUT} = 3\text{A}$, UC382-ADJ		350	450	mV
	$I_{VOUT} = 3\text{A}$, UC282-ADJ and UC182-ADJ		350	500	mV
VB Dropout = V_B-V_{OUT}	$I_{VOUT} = 3\text{A}$, UC382-ADJ		1.8	2.10	V
	$I_{VOUT} = 3\text{A}$, UC282-ADJ		1.8	2.20	V
Short Circuit Current Limit		3.3		4.5	A
VB Current	$I_{VOUT} = 10\text{mA}$		6	9	mA
	$I_{VOUT} = 3\text{A}$		18	60	mA
VIN Current	$I_{VOUT} = 3\text{A}$	2.94	2.97		A

PIN DESCRIPTIONS

ADJ: In the adjustable version, the user programs the output voltage with two external resistors. The resistors should be 0.1% for high accuracy. The output amplifier is configured as a non-inverting operational amplifier. The resistors should meet the criteria of $R3 \parallel R4 < 100\Omega$. Connect ADJ to VOUT for an output voltage of 1.2V. Note that the point at which the feedback network is connected to the output is the Kelvin sense point.

GND: For accurate results, the GND pin should be referenced to the load ground.

VB: Supplies power to all circuits of the regulator except the collector of the output power transistor. The 2V headroom from VB to VOUT allows the use of a Darlington output stage for inherently low output

impedance and fast response. (Dropout is derated for junction temperatures below 0°C.)

VIN: Supplies the current to the collector of the output power transistor only. The dropout ($V_{IN}-V_{OUT}$) is under 100mV for light loads; maximum dropout is 450mV at 3A for $T_J = 0^\circ\text{C}$ to $+110^\circ\text{C}$. (Dropout is derated for junction temperatures over 110°C.) At full load, the majority of the VB current is going to the load.

VOUT: This pin should be connected to the load via a low impedance path. Avoid connectors which add significant inductance and resistance. Note that even though a Kelvin sense is available through a 5 pin package, care must be taken since voltage drops along wire traces add to the dropout voltage.

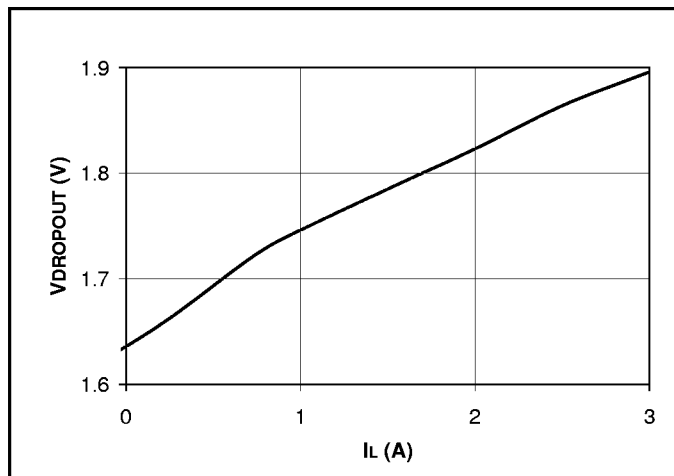


Figure 1. Typical Dropout ($V_B - V_{OUT}$), $T_J = 27^\circ\text{C}$

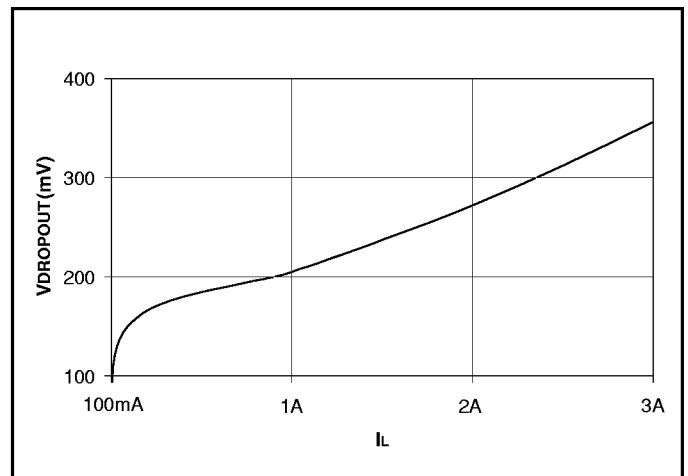


Figure 2. Typical Dropout ($V_{IN} - V_{OUT}$), $T_J = 27^\circ\text{C}$

APPLICATION INFORMATION

The UC382 is easy to use. The adjustable version requires two 0.1% resistors to set the output voltage. The fixed versions of the UC382 require no external resistors. All versions of the UC382 require decoupling capacitors on the input and output. In a typical application, VB and VIN are driven from switching power supplies which may have large filter capacitors at their outputs. If the UC382 is further than 12 inches from the power supply, it is recommended to add local decoupling as close as possible to the linear regulator.

Decouple the output of the UC382 with at least 100 μF of high quality tantalum or Sanyo OSCON capacitors close to the VOUT pin for maximum stability. Many applications involving ultra fast GTL or BTL applications require additional capacitance close to the load. The exact amount

will vary according to speed and magnitude of the load transients and the tolerance allowed for transients on VOUT. When specifying the decoupling capacitors, the series resistance of the capacitor bank is an important factor in its ability to filter load transients.

The UC382 allows for Kelvin sensing the voltage at the load. This improves regulation performance and eliminates the voltage drops due to wire trace resistance. This voltage drop must be added to the headroom (V_{IN} to V_{OUT} and V_B to V_{OUT}). The dropout of 450mV is measured at the pins and does not include additional drops due to trace resistance. The minimum load current is 10mA.

Two or more UC382's may be used in parallel. While stable, this arrangement does degrade the transient response.

APPLICATION INFORMATION (cont.)

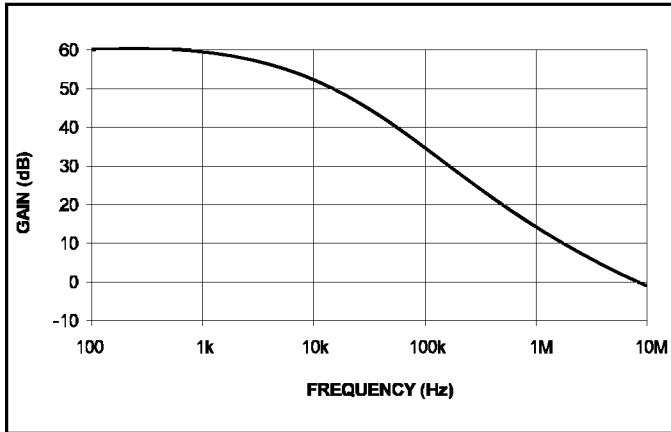


Figure 3. Open Loop Gain (100 μ F Output Capacitance, 1A Load).

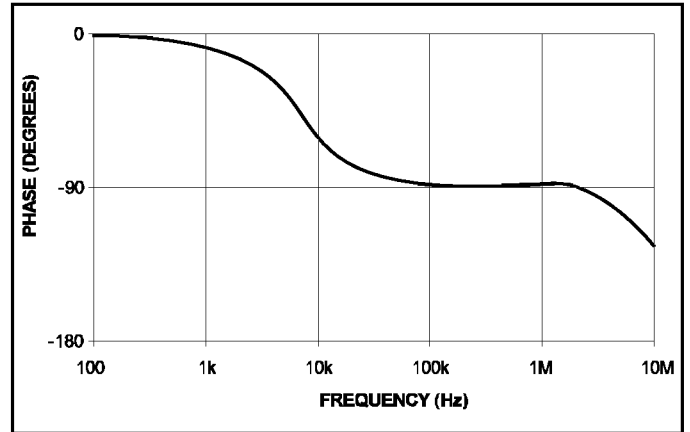


Figure 4. Open Loop Phase (100 μ F Output Capacitance, 1A Load).

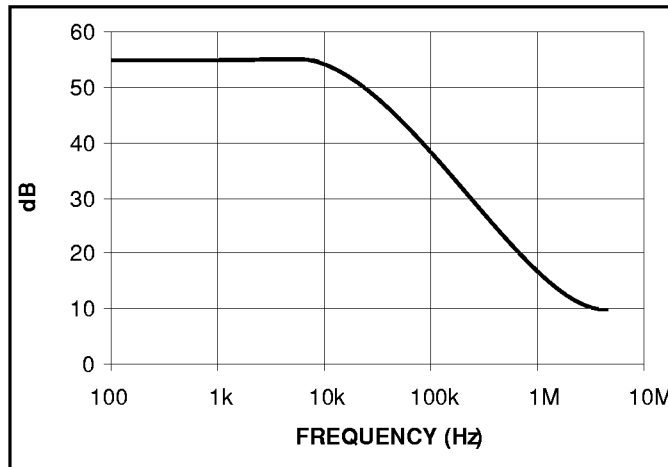


Figure 5. PSRR (V_B) 2.5V Out.

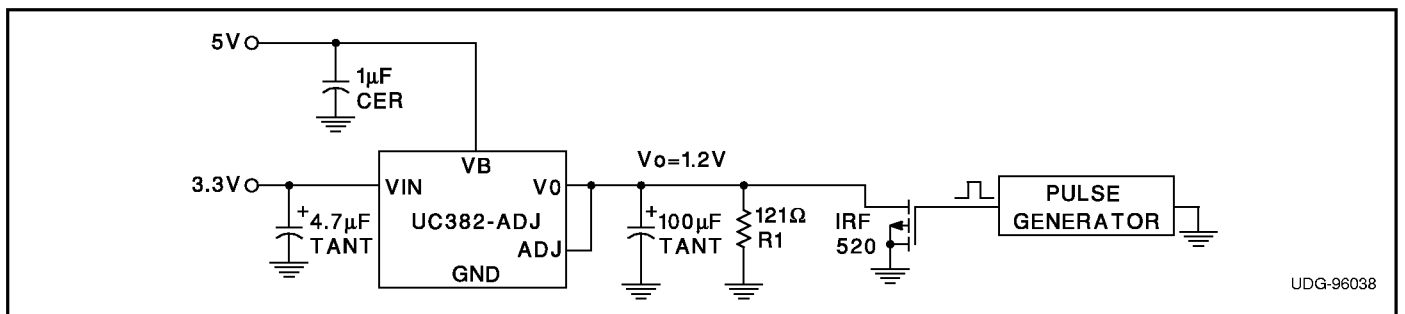


Figure 6. Transient test circuit.

APPLICATION INFORMATION (cont.)

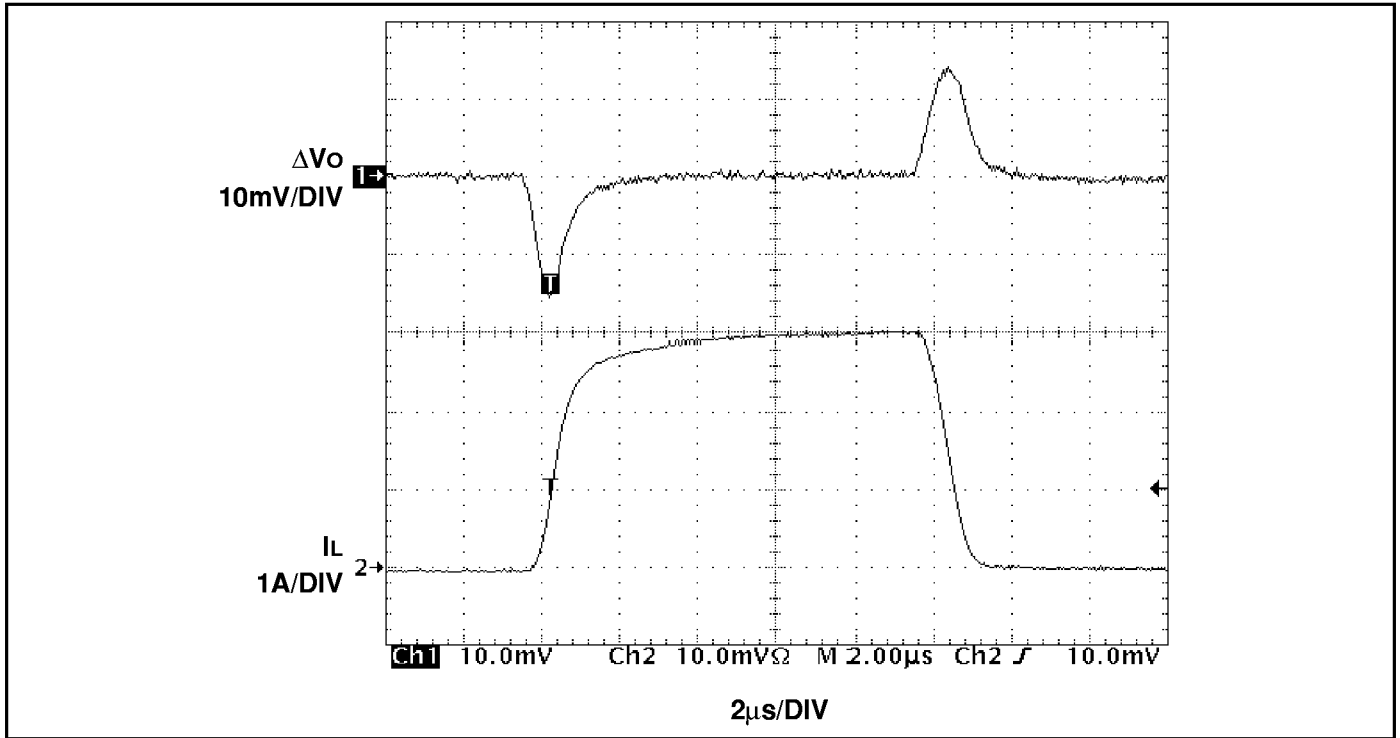


Figure 7. 10mA to 3A/μs load transient response.

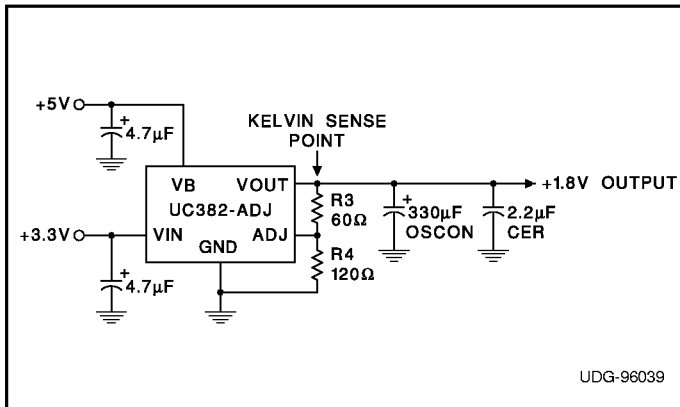


Figure 8. Typical UC382-ADJ application

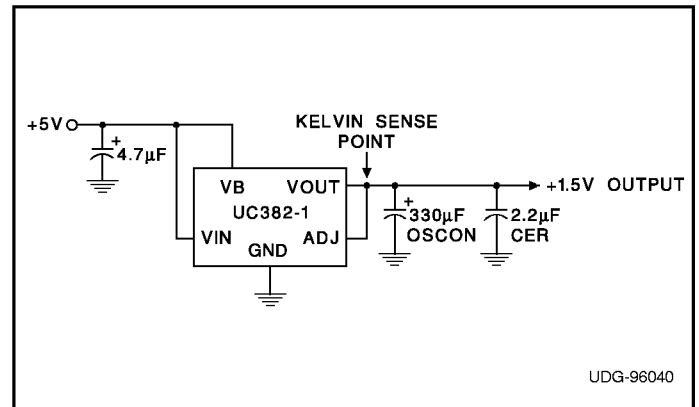


Figure 9. Typical UC382-1, -2, or -3 application