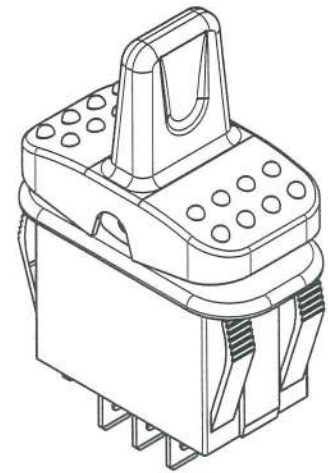
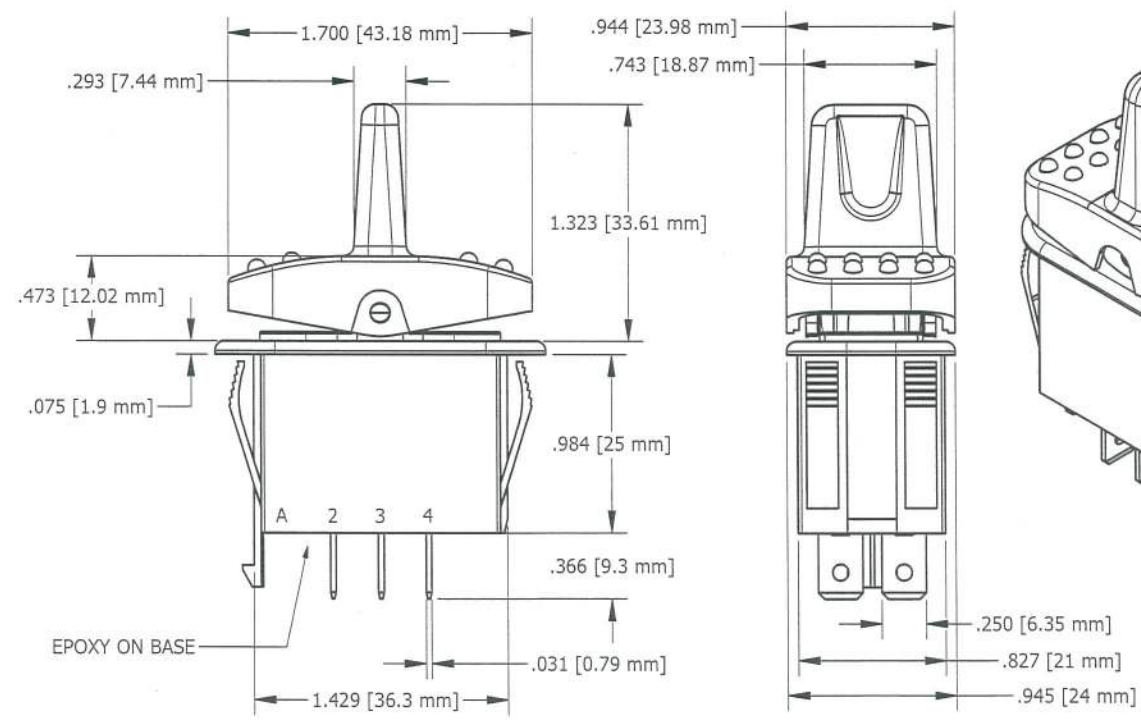
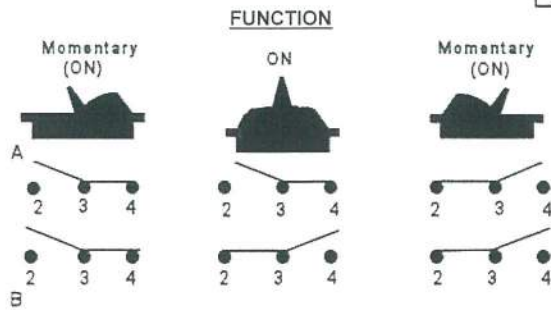
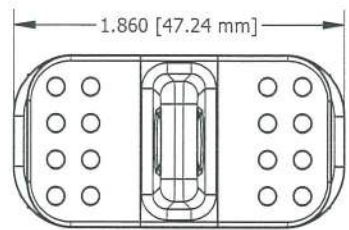


THIS INFORMATION IS CONFIDENTIAL AND PROPRIETARY TO CW INDUSTRIES INCORPORATED AND ITS AFFILIATES. IT MAY NOT BE DISCLOSED TO ANYONE, OTHER THAN CW INDUSTRIES PERSONNEL, WITHOUT WRITTEN AUTHORIZATION FROM CW INDUSTRIES INCORPORATED, SOUTHAMPTON, PENNSYLVANIA USA.

DIMENSIONS IN INCHES (MILLIMETERS)  
DO NOT SCALE DRAWING .....

Dwg. No.		<b>GRB-292-0100</b>	
REVISIONS	0	NEW.	DGW 12-16-19
	1	Redrawn. Updated drawing. DGW 1/29/20	Jan. 29, 2020
	2	Redrawn. Added 25% Glass Filled materials. DGW 11/15/21	<i>CG 11/15/21</i>



**MATERIALS:**

Frame: Nylon 6/6 (94-2), Black  
Actuator: Nylon 6/6, 25% Glass Filled, Black  
Terminals: Silver Plated Brass  
Ingress Protection: IP 67

**Rating:**

10A 28VDC

**FUNCTION:**

DPDT (ON) - ON - (ON)

Mounting Hole			
Thickness	* X * (mm)	* Y * (mm)	
.030 - .049 (0.75 - 1.25)	.827 <sup>+.012</sup> <sub>-0</sub>	1.441 <sup>+.004</sup> <sub>-0</sub>	(36.6 <sup>+.01</sup> <sub>-0</sub> )
.049 - .079 (1.25 - 2.0)		1.449 <sup>+.004</sup> <sub>-0</sub>	(36.8 <sup>+.01</sup> <sub>-0</sub> )
.079 - .118 (2.0 - 3.0)		1.457 <sup>+.004</sup> <sub>-0</sub>	(37.0 <sup>+.01</sup> <sub>-0</sub> )

**CW INDUSTRIES**  
Southampton, Pa. 18966

TOLERANCES UNLESS OTHERWISE SPECIFIED

2 Place Decimal ± .010	METRIC
3 Place Decimal ± .005	1 Place Dec ± .25mm
Angles ± 1°	2 Place Dec ± .13mm

Made for: CW IND.  
Drawn by: DGW 12-16-19  
Checked by: *G. GULD 11-15-21*  
Approved: *CH 11/15/21*

Title:	<b>TAB ROCKER SWITCH (ON)-ON-(ON)</b>
Division:	SWITCH
Dwg. No.	<b>GRB-292-0100</b>

GRB292J001B

MASTER