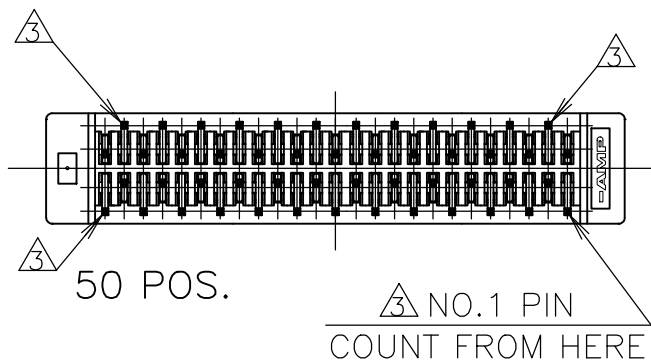
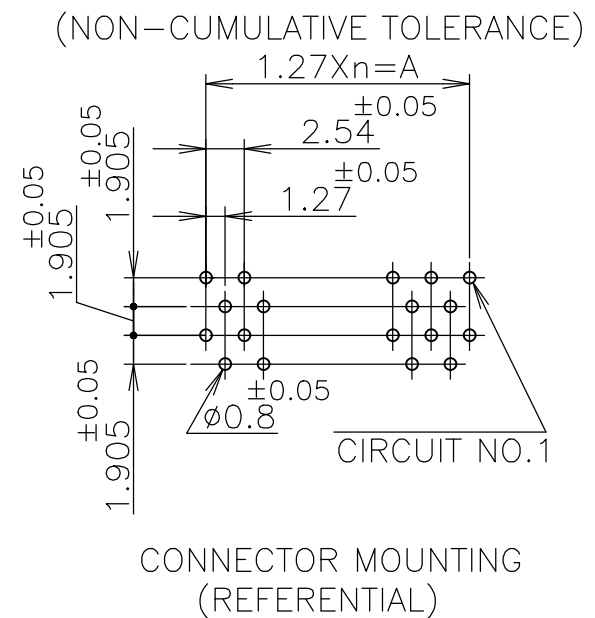
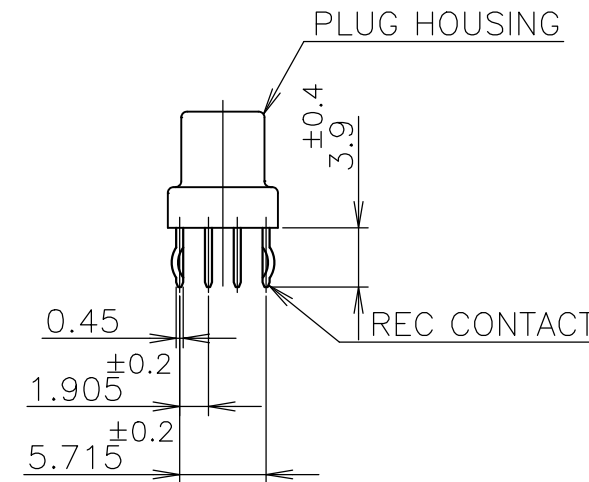
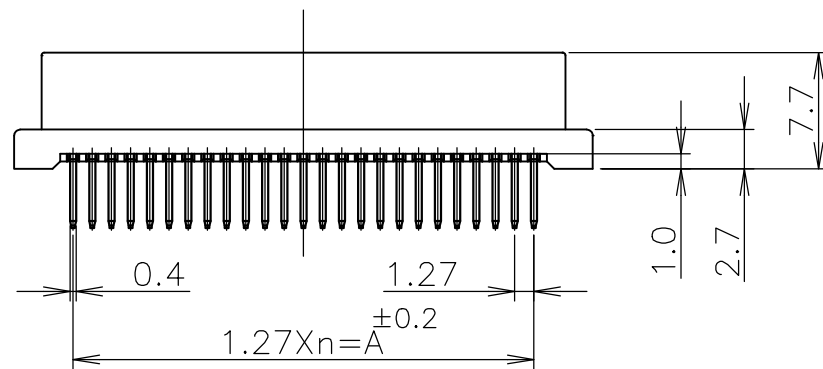
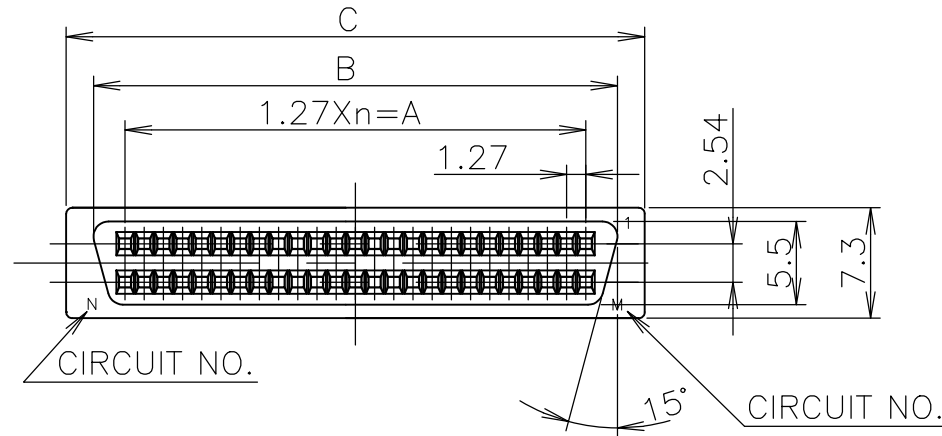


P	LTR	DESCRIPTION	DATE	DWN	APVD
P		ECO-20-007709	22JUN2020	RR	SH



- △ MATERIAL & FINISH
 PLUG HOUSING: THERMOPLASTIC (UL94V-0) COLOR: BLACK.
 REC CONTACT: COPPER ALLOY.
 FINISH: OVER NICKEL, MATING END: 0.00076 MIN. GOLD, TERMINATION END: TIN AND SEALING TREATMENT ALL OVER.
- 2 P.W.B. LAYOUT AND P.W.B. TREATMENT (REF.)
 P.W.B. SURFACE ARE TREATED WITH SOLDER RESIST.
 BOARD THICKNESS: 1.6mm.
- △ ON KINK POINT (4 PLACES).

OBSOLETE	0.00076 MIN. Au. PL.	50	26	30.48	34.65	38.26	24	50	6-1747754-3
	REMARK	N	M	A	B	C	n	POS.	PART NO.

THIS DRAWING IS A CONTROLLED DOCUMENT.		DWN Julyee Zhu 22SEP04	TE Connectivity PLUG ASSY V WITH KINK (TINE L=3.9mm) AMPLIMITE .050 SERIES I B-TO-B CONN.				
DIMENSIONS: 単位: 耗 mm		CHK Takahiro Kawamae 22SEP04				NAME Ikuo Enomoto 22SEP04	SIZE A3
TOLERANCES UNLESS OTHERWISE SPECIFIED: 一般公差 0 PLC ±- 1 PLC ±- 2 PLC ±- 3 PLC ±- 4 PLC ±- ANGLES ±-		APVD Ikuo Enomoto 22SEP04	PRODUCT SPEC 108-5203	SCALE 2:1	SHEET 1 OF 1	REV P	
GENERAL TOLERANCE 10 ≥ : ±0.2 30 ≥ > 10: ±0.25 100 ≥ > 30: ±0.3 ANGLES: ±3°		MATERIAL △	FINISH △	CUSTOMER DRAWING			