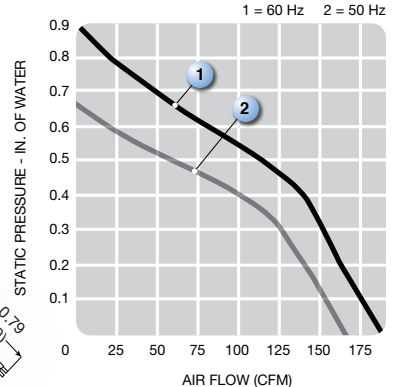
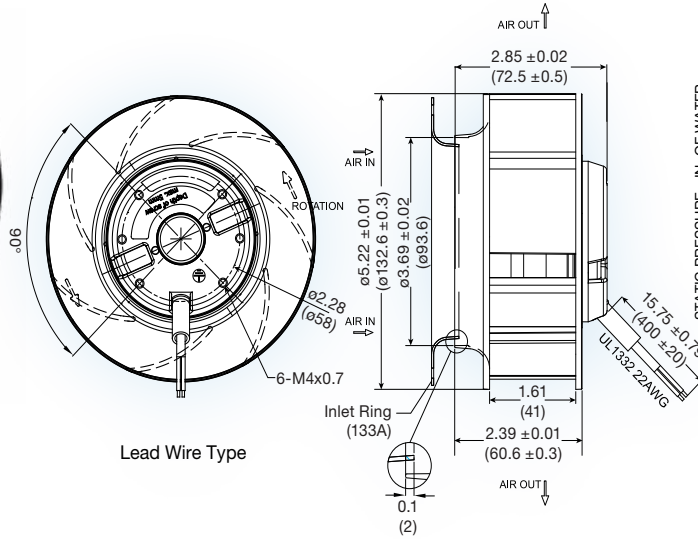


# UF133(72) series



**(133 dia. x 72.5 mm)**  
5.22 dia. x 2.85 inches

Operating voltage:	115 or 230 VAC
Construction:	aluminum die cast motor base; UL94V-0 reinforced nylon impeller
Bearing option:	ball bearing
Motor:	shaded pole
Air Flow:	centrifugal
Connection:	22 AWG lead wire

Model No.	Rated Voltage V	Freq. HZ	Input Power W	Rated Cur. A	Locked Cur. A	Speed RPM	Air Volume		Max. Static Pressure (H <sub>2</sub> O)		Sound Noise dbA	Weight kg
							M <sup>3</sup> /Min.	CFM	MM	INCH		
UF133(72)APA12-H1S2A	115	50	42	0.50	0.83	2,780	4.66	165	16.6	0.65	50	0.9
	115	60	41	0.43	0.72	3,200	5.33	188	22.4	0.88	60	0.9
UF133(72)APA23-H1S2A	230	50	40	0.24	0.39	2,780	4.66	165	16.6	0.65	50	0.9
	230	60	39	0.21	0.34	3,200	5.33	188	22.4	0.88	60	0.9

