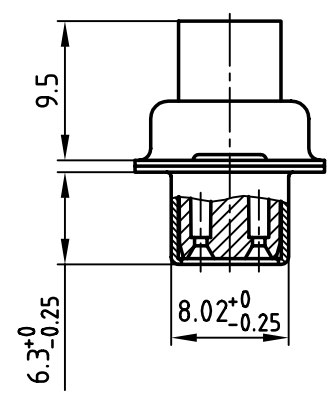
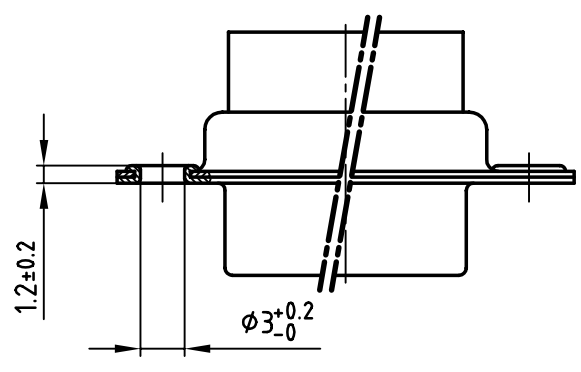
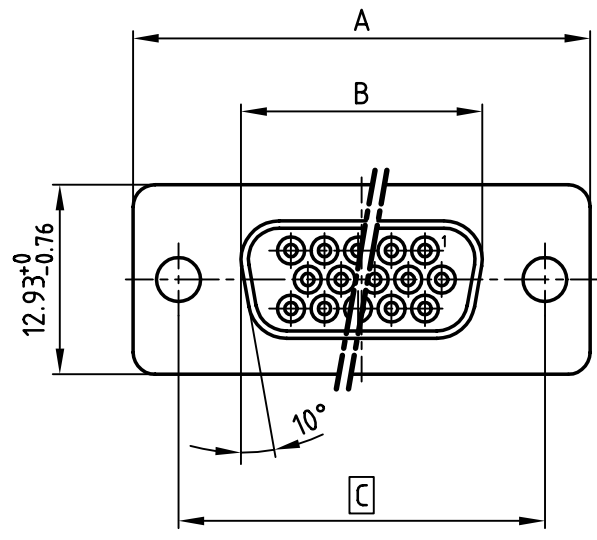


used for: D-SUB HD



Directive 2002/95/EC
"RoHS"
Compliant

POS.	A -0.76	B -0.25	C	Part-NO.
15	31.19	16.46	25.00 ^{+0.12} / _{-0.13}	164X11949X
26	39.52	24.79	33.30 ^{+0.15} / _{-0.1}	164X11959X
44	53.42	38.50	47.04 ±0.13	164X11969X
62	69.70	54.96	63.50 ±0.13	164X11979X

NOTES:
 1. METALSHELLS: STEEL; min. 320µ" TIN
 2. INSULATORS: PBT GF UL 94 V-0, BLACK
 3. = CRITICAL DIMENSION: SPC

THIS DRAWING MAY NOT BE COPIED OR REPRODUCED IN ANY WAY, AND MAY NOT BE PASSED ON TO A THIRD PARTY WITHOUT WRITTEN PERMISSION.
 OWNERSHIP AND COPYRIGHT OF CONEC GmbH
 DO NOT ALTER CAD DRAWING BY HAND

tolerance						
2001	date	name	D-SUB HD FEMALE CRIMP-VERSION 15-62pos.			
drawn	12.03.	Parei				
appd.	12.03.	E. Mickenbecker				
norm						
d-old			dwg no: AutoCAD 2000 DIN-A 16K1A155A 4 sh: 1/1			
rev.	description	date	name	part no: SEE TABLE		

