

Customer Information Sheet

DRAWING No.: M55-70XXX42R

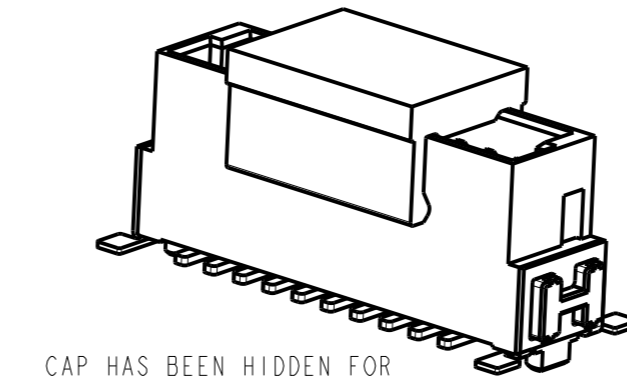
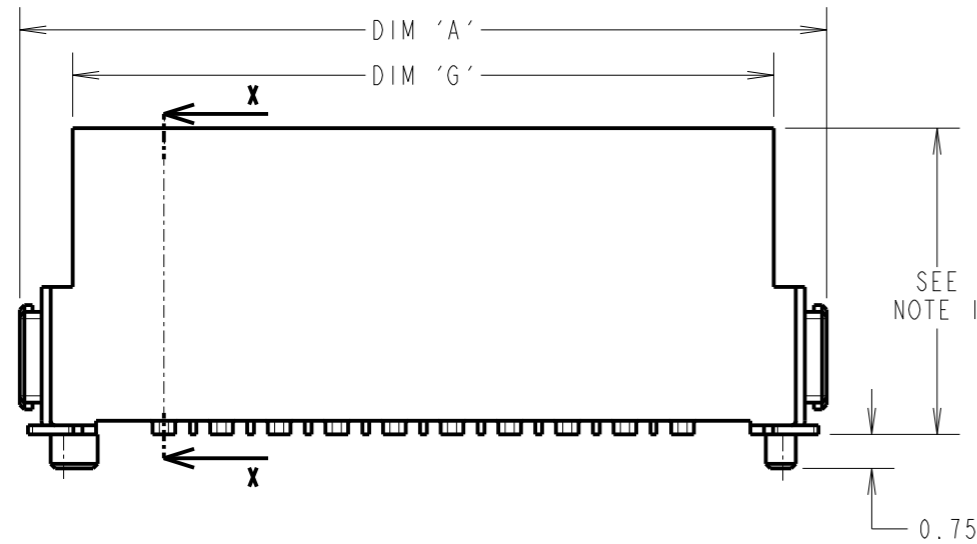
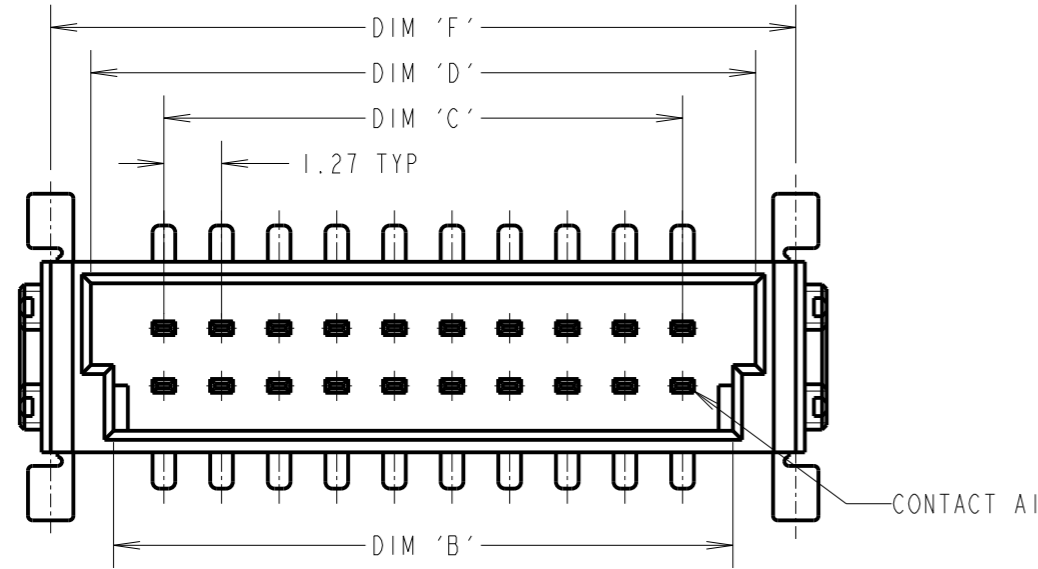
IF IN DOUBT - ASK

©

NOT TO SCALE

THIRD ANGLE PROJECTION

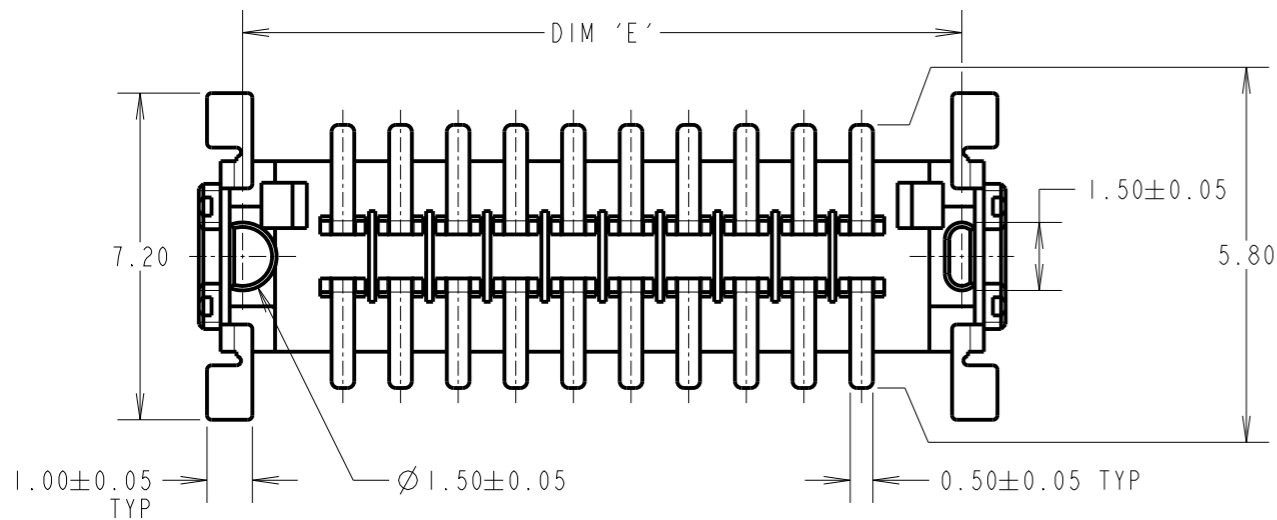
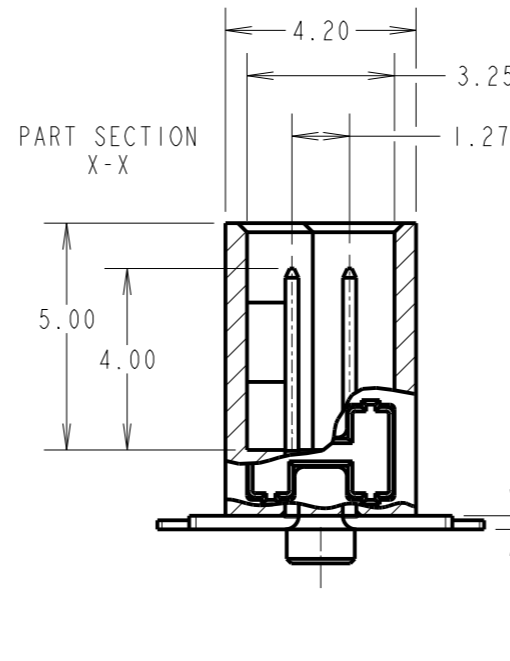
ALL DIMENSIONS IN mm



CAP HAS BEEN HIDDEN FOR ILLUSTRATION PURPOSES ONLY. SEE NOTE 1

SPECIFICATIONS:
 MATERIAL:
 MOULDING & CAP = HIGH TEMP, LCP, UL94V-0
 CONTACT = PHOSPHOR BRONZE
 RETAINING STRAP = BRASS
 PLATING:
 CONTACT = 0.025µm MIN GOLD OVER
 2.03µm MIN NICKEL ON CONTACT AREA,
 2.54µm MIN TIN OVER
 1.27µm MIN NICKEL ON TAILS
 RETAINING STRAP = 2.45µm MIN TIN OVER
 1.01µm MIN NICKEL

ORDER CODE:
M55-70XXX42R
 CONNECTOR HEIGHT:
 0 = 6.75mm
 1 = 8.25mm
 2 = 9.85mm
 TOTAL No. OF CONTACTS:
 12, 16, 20, 26,
 32, 40, 50, 68, 80



PART No.	DIM 'A'	DIM 'B'	DIM 'C'	DIM 'D'	DIM 'E'	DIM 'F'	DIM 'G'
M55-70X1242R	12.70	8.57	6.35	9.57	10.77	11.34	10.37
M55-70X1642R	15.24	11.11	8.89	12.11	13.31	13.88	12.91
M55-70X2042R	17.78	13.65	11.43	14.65	15.85	16.42	15.45
M55-70X2642R	21.59	17.46	15.24	18.46	19.66	20.23	19.26
M55-70X3242R	25.40	21.27	19.05	22.27	23.47	24.04	23.07
M55-70X4042R	30.48	26.35	24.13	27.35	28.55	29.12	28.15
M55-70X5042R	36.83	32.70	30.48	33.70	34.90	35.47	34.50
M55-70X6842R	48.26	44.13	41.91	45.13	46.33	46.90	45.93
M55-70X8042R	55.88	51.75	49.53	52.75	53.95	54.52	53.55

MGP	7	13.07.22	31688
NAME	ISS.	DATE	CN/CO
APPROVED: MGP			
CHECKED: MR			
DRAWN: M.PERREN			
CUSTOMER REF.:			
ASSEMBLY DRG:			

NOTES:
 1. SEE ORDER CODE AND SHEET 5 FOR CONNECTOR HEIGHT AND CAP DETAILS. SEE SHEET 7 FOR RECOMMENDED PCB LAYOUTS.
 2. FOR TAPE AND REEL DETAILS, SEE SHEET 6.
 3. ALL TOLERANCES ARE ±0.20, UNLESS OTHERWISE STATED.
 4. COMPLETE SPECIFICATION PLEASE SEE COMPONENT SPECIFICATION C047XX (LATEST ISSUE).

HARWIN

www.harwin.com
 technical@harwin.com

THIS DRAWING AND ANY INFORMATION OR DESCRIPTIVE MATTER SET OUT HEREON ARE CONFIDENTIAL AND COPYRIGHT PROPERTY OF THE HARWIN GROUP AND MUST NOT BE DISCLOSED, LOANED, COPIED OR USED FOR MANUFACTURING, TENDERING OR FOR ANY OTHER PURPOSE WITHOUT THEIR WRITTEN PERMISSION.

TOLERANCES
 X = ±1mm
 X.X = ±0.50mm
 X.XX = ±0.20mm
 X.XXX = ±0.01mm
 ANGLES = ±5°
 UNLESS STATED

MATERIAL:

SEE ABOVE

FINISH:

SEE ABOVE

S/AREA:

mm²

TITLE:

1.27mm PITCH VERTICAL MALE CONNECTOR

DRAWING NUMBER:

M55-70XXX42R

SHT
 4 OF 7

Customer Information Sheet

DRAWING No.: M55-70XXX42R

IF IN DOUBT - ASK

©

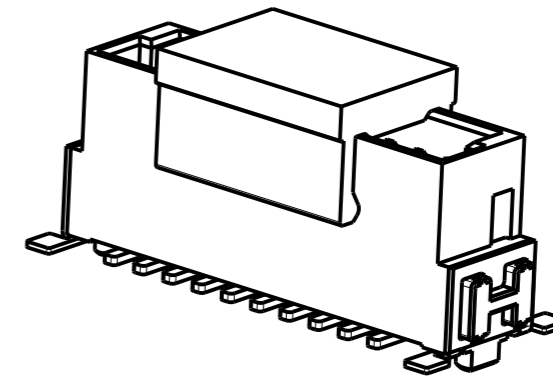
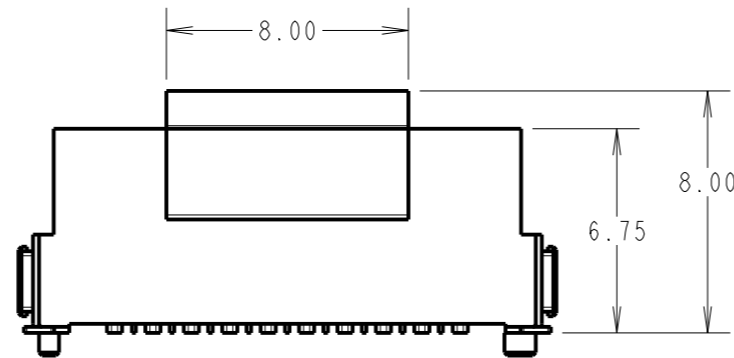
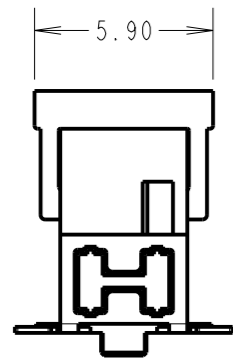
NOT TO SCALE

THIRD ANGLE PROJECTION

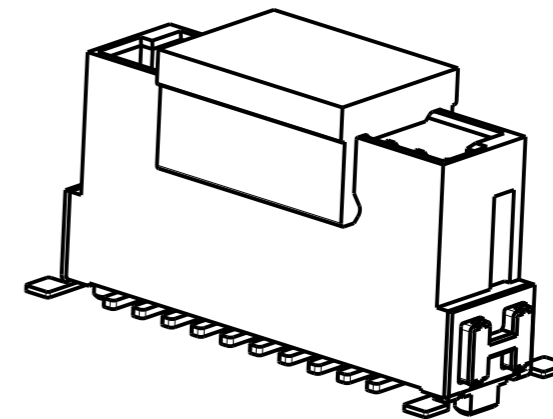
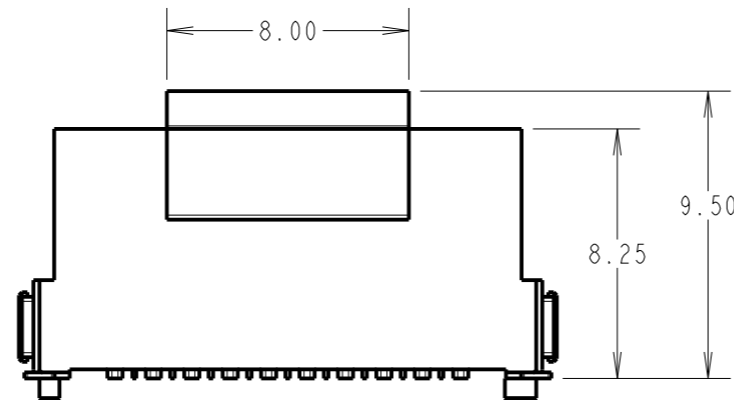
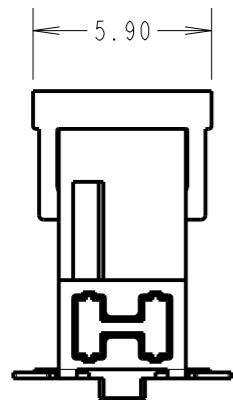
ALL DIMENSIONS IN mm

CONNECTOR HEIGHT DETAILS

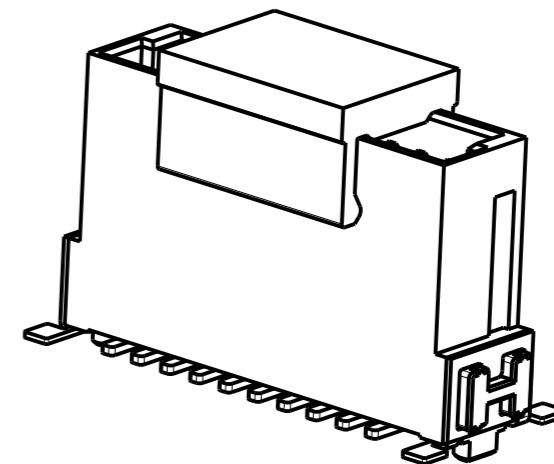
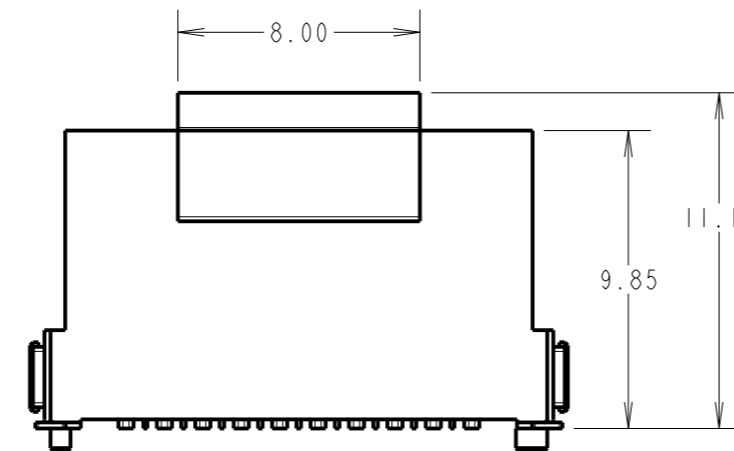
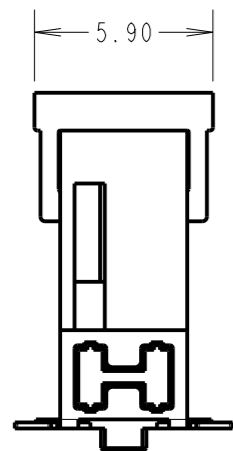
M55-700XX42R



M55-701XX42R



M55-702XX42R



MGP	7	13.07.22	31688
NAME	ISS.	DATE	CN/CO
APPROVED: MGP			
CHECKED: MR			
DRAWN: M.PERREN			
CUSTOMER REF.:			
ASSEMBLY DRG:			

NOTES:
1. ALL TOLERANCES ARE ± 0.20 , UNLESS OTHERWISE STATED.

HARWIN

www.harwin.com
technical@harwin.com

THIS DRAWING AND ANY INFORMATION OR DESCRIPTIVE MATTER SET OUT HEREON ARE CONFIDENTIAL AND COPYRIGHT PROPERTY OF THE HARWIN GROUP AND MUST NOT BE DISCLOSED, LOANED, COPIED OR USED FOR MANUFACTURING, TENDERING OR FOR ANY OTHER PURPOSE WITHOUT THEIR WRITTEN PERMISSION.

TOLERANCES
X = ± 1 mm
X.X = ± 0.50 mm
X.XX = ± 0.20 mm
X.XXX = ± 0.01 mm
ANGLES = $\pm 5^\circ$
UNLESS STATED

MATERIAL:
SEE SHEET 4
FINISH: SEE SHEET 4
S/AREA: mm²

TITLE:
1.27mm PITCH VERTICAL MALE CONNECTOR

DRAWING NUMBER:
M55-70XXX42R

SHT
5
OF
7

Customer Information Sheet

DRAWING No.: M55-70XXX42R

IF IN DOUBT - ASK

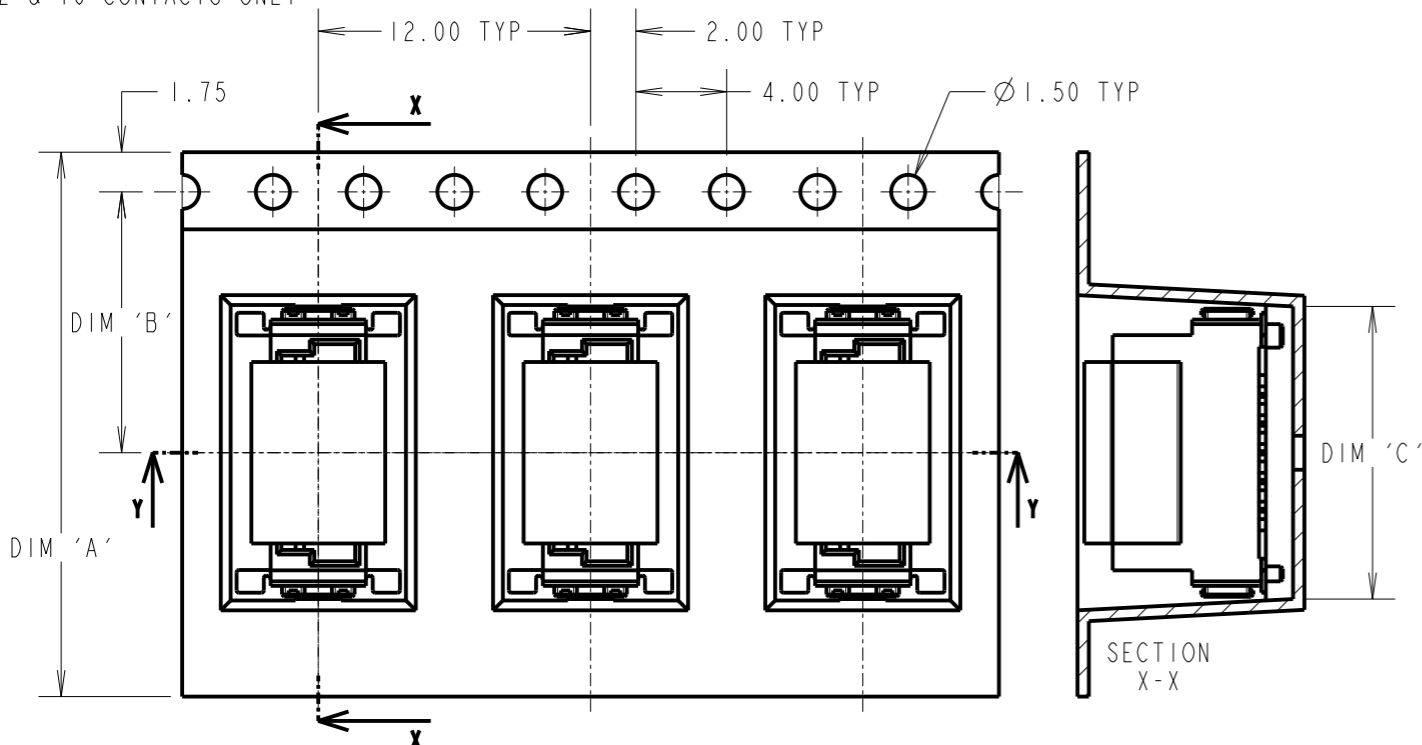
©

NOT TO SCALE

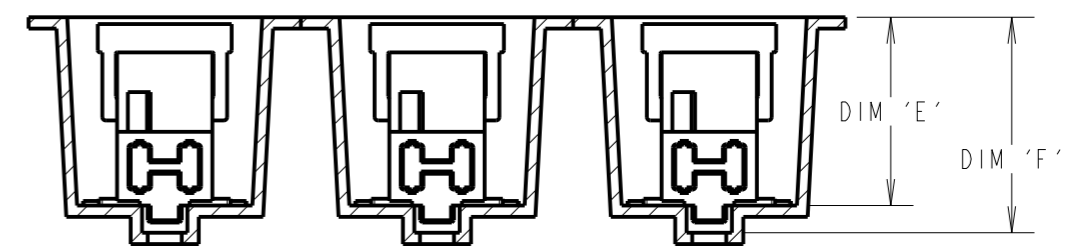
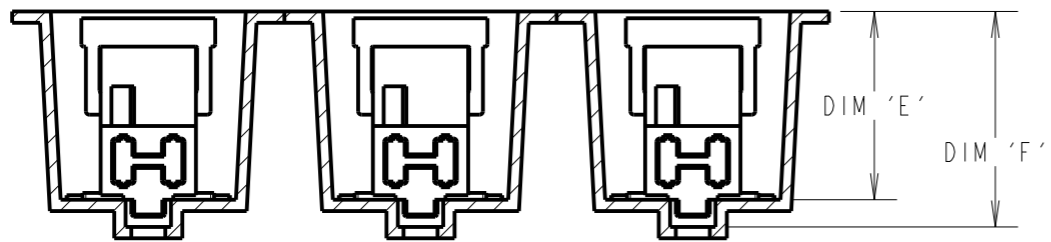
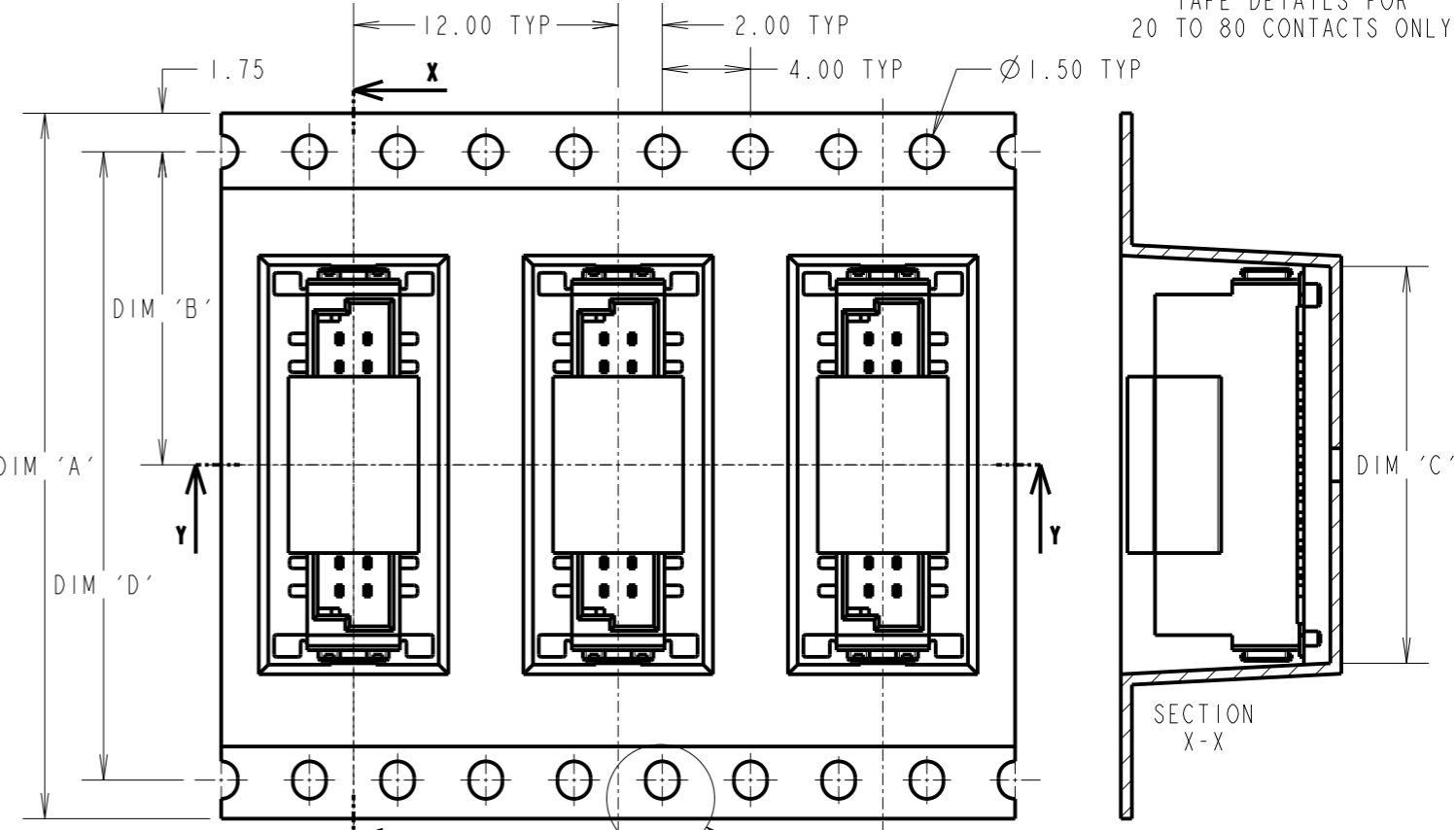
THIRD ANGLE PROJECTION

ALL DIMENSIONS IN mm

TAPE DETAILS FOR
12 & 16 CONTACTS ONLY



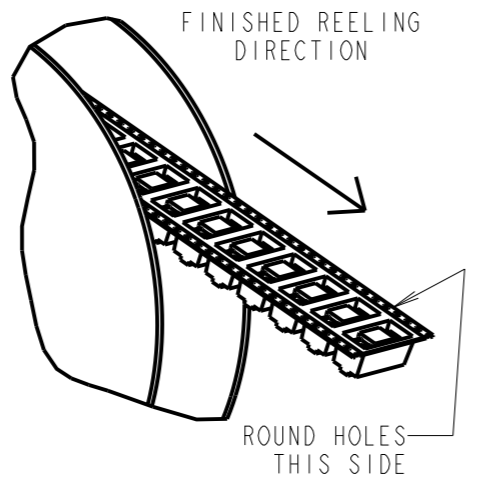
TAPE DETAILS FOR
20 TO 80 CONTACTS ONLY



ORDER CODE:
M55-70XXX42R

CONNECTOR HEIGHT:
0 = 6.75mm
1 = 8.25mm
2 = 9.85mm

TOTAL No. OF CONTACTS:
12, 16, 20, 26,
32, 40, 50, 68, 80



REEL DETAILS

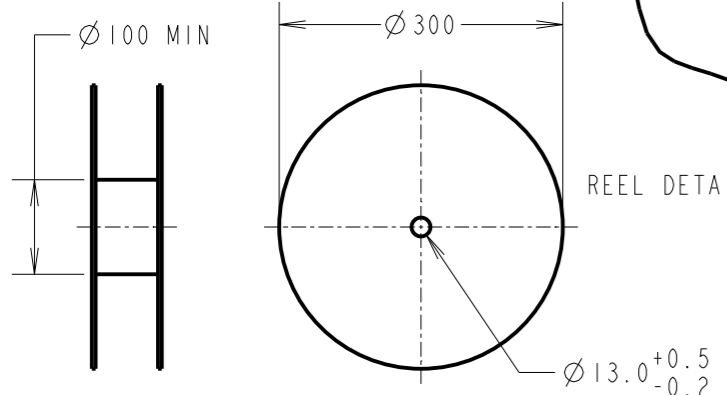


TABLE 1

PART No.	DIMENSION			
	DIM 'A' ±0.30	DIM 'B'	DIM 'C' ±0.15	DIM 'D'
M55-70X1242R				N/A
M55-70X1642R	24.00	11.50	12.90	
M55-70X2042R	32.00	14.20	18.00	28.40
M55-70X2642R				
M55-70X3242R	44.00	20.20	21.79	40.40
M55-70X4042R				
M55-70X5042R	56.00	26.20	37.03	52.40
M55-70X6842R				
M55-70X8042R	72.00	34.20	48.46 56.08	68.40

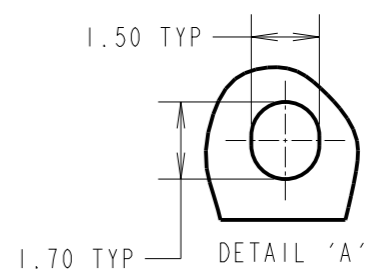


TABLE 2

PART No.	DIMENSION		PACK QTY
	DIM 'E'	DIM 'F'	
M55-700XX42R	8.3	9.5	500
M55-701XX42R	9.8	11.0	450
M55-702XX42R	11.4	12.6	300

MGP	7	13.07.22	31688
NAME	ISS.	DATE	CN/CO
APPROVED: MGP			
CHECKED: MR			
DRAWN: M.PERREN			
CUSTOMER REF.:			
ASSEMBLY DRG:			

NOTES:
1. PRODUCT IS TAPE AND REELED IN GENERAL ACCORDANCE WITH EIA-481 (ELECTRONIC INDUSTRIES ASSOCIATION).
2. FOR CONNECTOR DETAILS, SEE SHEET 4 & 5.

HARWIN

www.harwin.com
technical@harwin.com

THIS DRAWING AND ANY INFORMATION OR DESCRIPTIVE MATTER SET OUT HEREON ARE CONFIDENTIAL AND COPYRIGHT PROPERTY OF THE HARWIN GROUP AND MUST NOT BE DISCLOSED, LOANED, COPIED OR USED FOR MANUFACTURING, TENDERING OR FOR ANY OTHER PURPOSE WITHOUT THEIR WRITTEN PERMISSION.

TOLERANCES
X. = ±1mm
X.X = ±0.50mm
X.XX = ±0.20mm
X.XXX = ±0.01mm
ANGLES = ±5°
UNLESS STATED

MATERIAL:
SEE SHEET 4

FINISH: SEE SHEET 4

S/AREA: mm²

TITLE:
1.27mm PITCH VERTICAL MALE CONNECTOR

DRAWING NUMBER:
M55-70XXX42R

SHT 6 OF 7

Customer Information Sheet

DRAWING No.: M55-70XXX42R

IF IN DOUBT - ASK

©

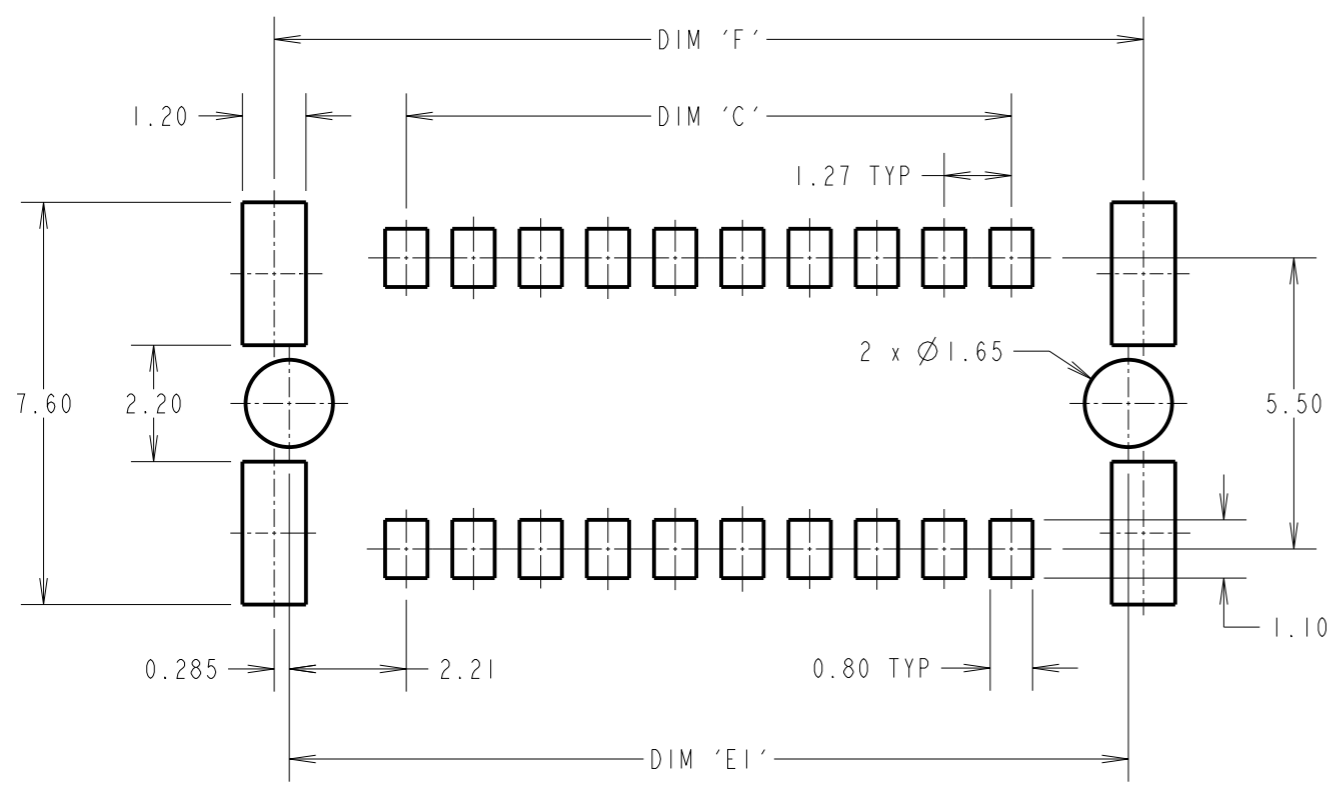
NOT TO SCALE

THIRD ANGLE PROJECTION

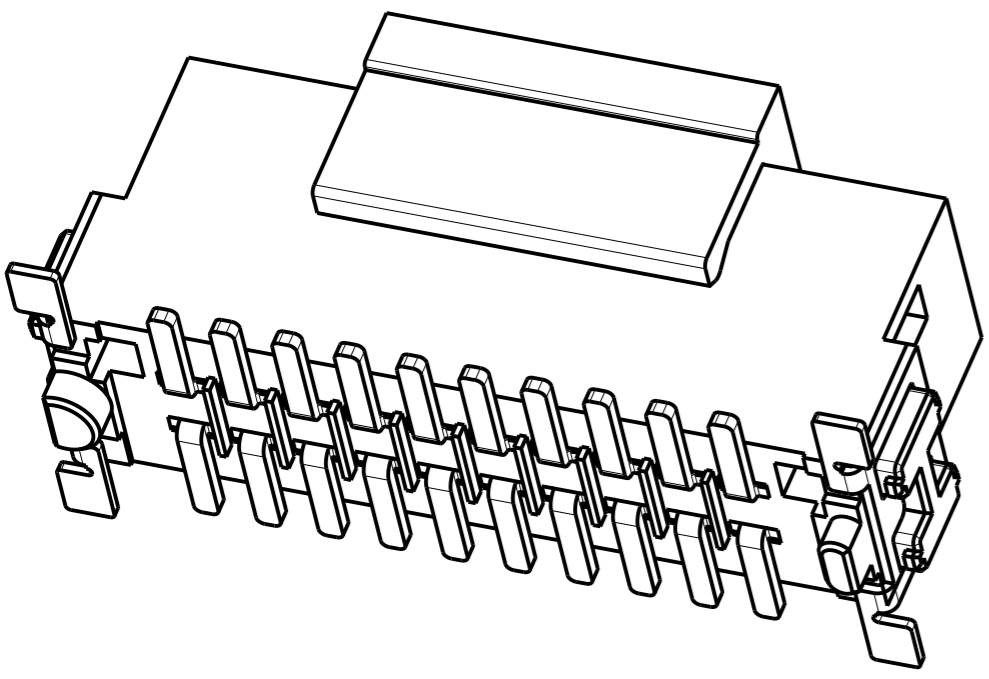
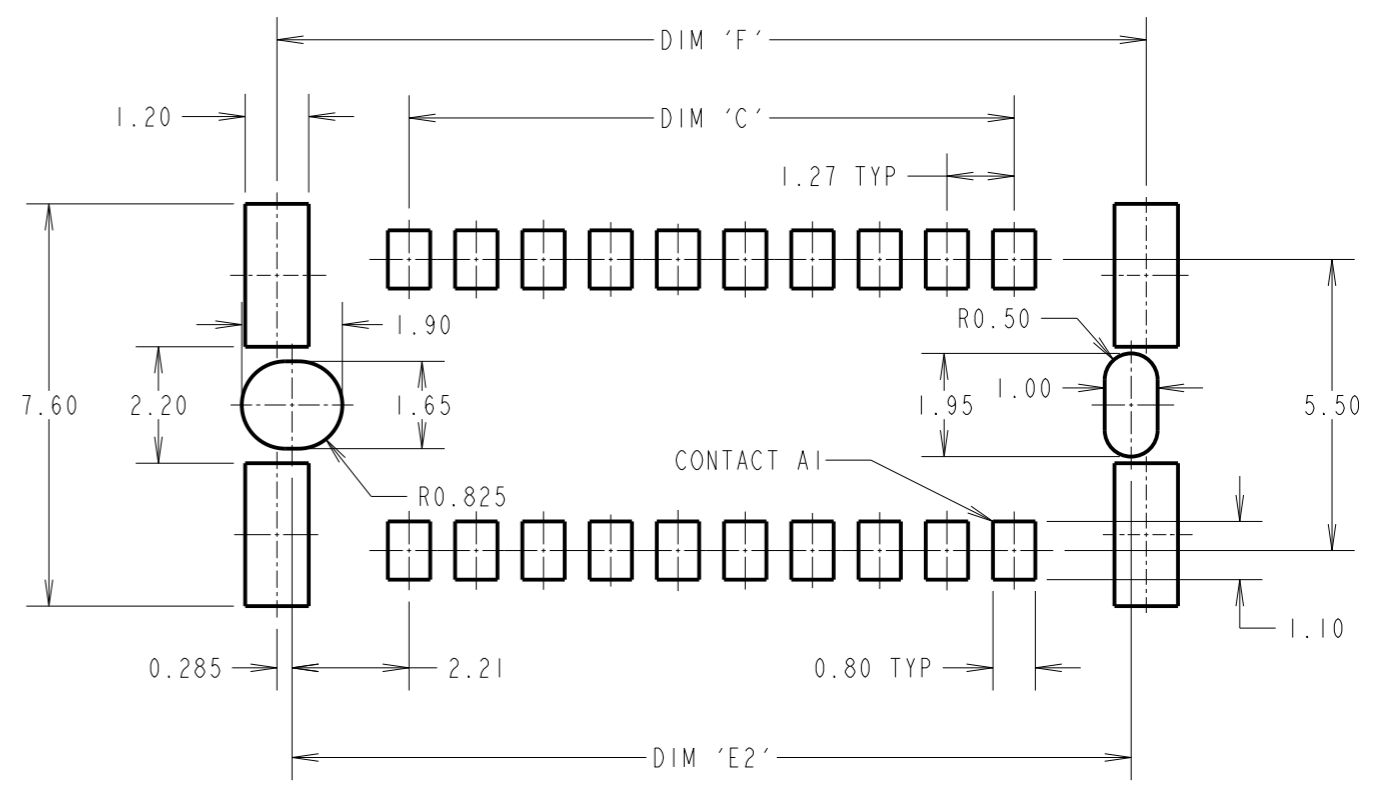
ALL DIMENSIONS IN mm

ROUND AND POLARIZED RECOMMENDED PCB LAYOUTS OPTIONS

RECOMMENDED ROUND HOLE PCB LAYOUT
TOLERANCE = ±0.05



RECOMMENDED POLARIZED HOLE PCB LAYOUT
TOLERANCE = ±0.05



ORDER CODE:
M55-70XXX42R

CONNECTOR HEIGHT: _____
 0 = 6.75mm
 1 = 8.25mm
 2 = 9.85mm

TOTAL No. OF CONTACTS: _____
 12, 16, 20, 26,
 32, 40, 50, 68, 80

PART No.	DIM 'C'	DIM 'E1'	DIM 'E2'	DIM 'F'
M55-70X1242R	6.35	10.77	10.70	11.34
M55-70X1642R	8.89	13.31	13.24	13.88
M55-70X2042R	11.43	15.85	15.78	16.42
M55-70X2642R	15.24	19.66	19.59	20.23
M55-70X3242R	19.05	23.47	23.40	24.04
M55-70X4042R	24.13	28.55	28.48	29.12
M55-70X5042R	30.48	34.90	34.83	35.47
M55-70X6842R	41.91	46.33	46.26	46.90
M55-70X8042R	49.53	53.95	53.88	54.52

MGP	7	13.07.22	31688
NAME	ISS.	DATE	CN/CO
APPROVED: MGP			
CHECKED: MR			
DRAWN: M.PERREN			
CUSTOMER REF.:			
ASSEMBLY DRG:			



THIS DRAWING AND ANY INFORMATION OR DESCRIPTIVE MATTER SET OUT HEREON ARE CONFIDENTIAL AND COPYRIGHT PROPERTY OF THE HARWIN GROUP AND MUST NOT BE DISCLOSED, LOANED, COPIED OR USED FOR MANUFACTURING, TENDERING OR FOR ANY OTHER PURPOSE WITHOUT THEIR WRITTEN PERMISSION.

TOLERANCES
 % = ±1mm
 X.X = ±0.50mm
 X.XX = ±0.20mm
 X.XXX = ±0.01mm
 ANGLES = ±5°
 UNLESS STATED

MATERIAL: SEE ABOVE
 FINISH: SEE ABOVE
 S/AREA: mm²

TITLE: 1.27mm PITCH VERTICAL MALE CONNECTOR
 DRAWING NUMBER: **M55-70XXX42R**
 SHT 7 OF 7