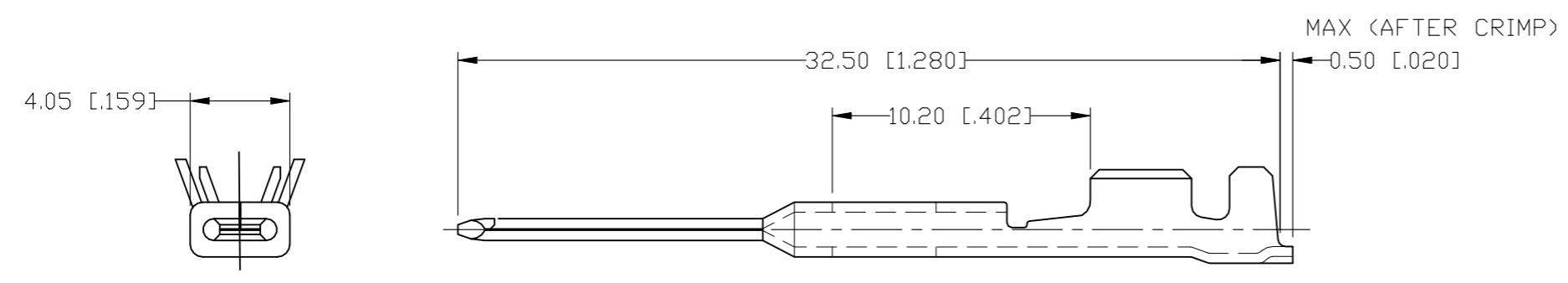
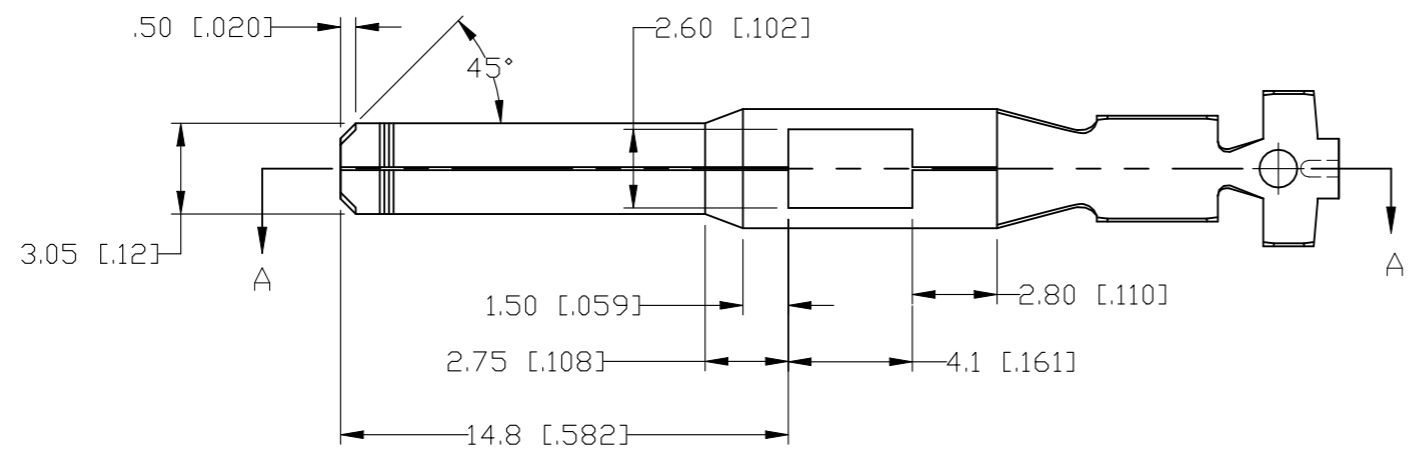
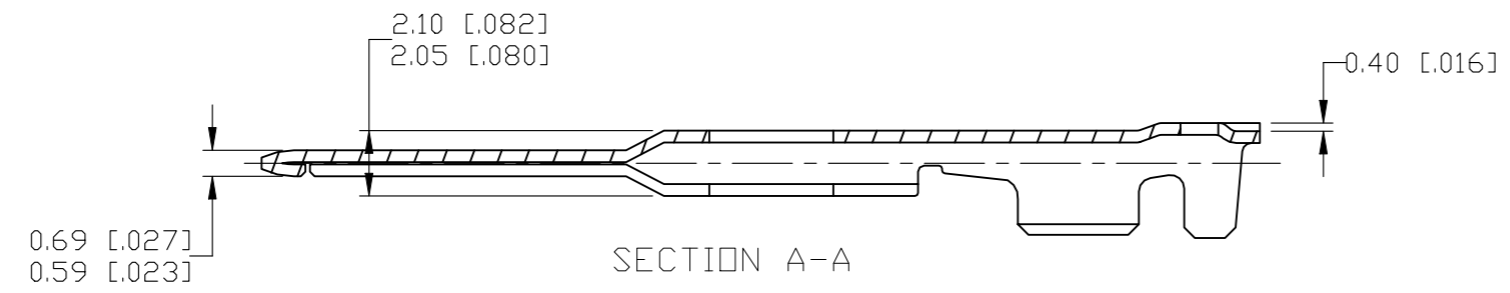


© - TE Connectivity. All Rights Reserved.

REVISIONS					
P	LTR	DESCRIPTION	DATE	DWN	APVD
	D	REVISED PER ECO-15-003776	12MAR2015	DD	WW
	D1	REVISED PER ECO-20-012739	30SEP2020	AP	WW
	D2	REVISED PER ECN-22-145617	23JUN2022	AP	MT



MATERIAL:
 A) UNS-C26000 BRASS.
 B) UNS-C19400

OBSOLETE	TE P/N	TE P/N REWOUND	FORD P/N	FINISH	WIRE CODE	MAT'L TYPE
OBSOLETE	1438241-7	1438241-8	YR3T-14421-AA	TIN PLATE ES8-MIP9-A	22	A
	1438241-2	-	E8EB-14421-LA	TIN PLATE ES8-MIP9-A HOT DIP PRE TIN STRIP	14	B
	1438241-1	-	E7EB-14421-EA	TIN PLATE ES8-MIP9-A HOT DIP PRE TIN STRIP	18	A

THIS DRAWING IS A CONTROLLED DOCUMENT.

DIMENSIONS: mm	TOLERANCES UNLESS OTHERWISE SPECIFIED:
	0 PLC ± -
	1 PLC ± 0.3
	2 PLC ± 0.10
	3 PLC ± -
	4 PLC ± -
	ANGLES ± 3°
MATERIAL SEE NOTES	FINISH SEE TABLE

DWN	JR BUSSARD	11JUN2003
CHK	DM REVAK	11JUN2003
APVD	DM REVAK	11JUN2003
PRODUCT SPEC	-	
APPLICATION SPEC	-	
WEIGHT	0.000000	

		TE Connectivity	
		NAME	
TERMINAL WIRE SNAP ON, MALE			
SIZE	CAGE CODE	DRAWING NO	RESTRICTED TO
A3	00779	C-1438241	-
CUSTOMER DRAWING		SCALE	SHEET
		4:1	1 OF 1
		REV	D2