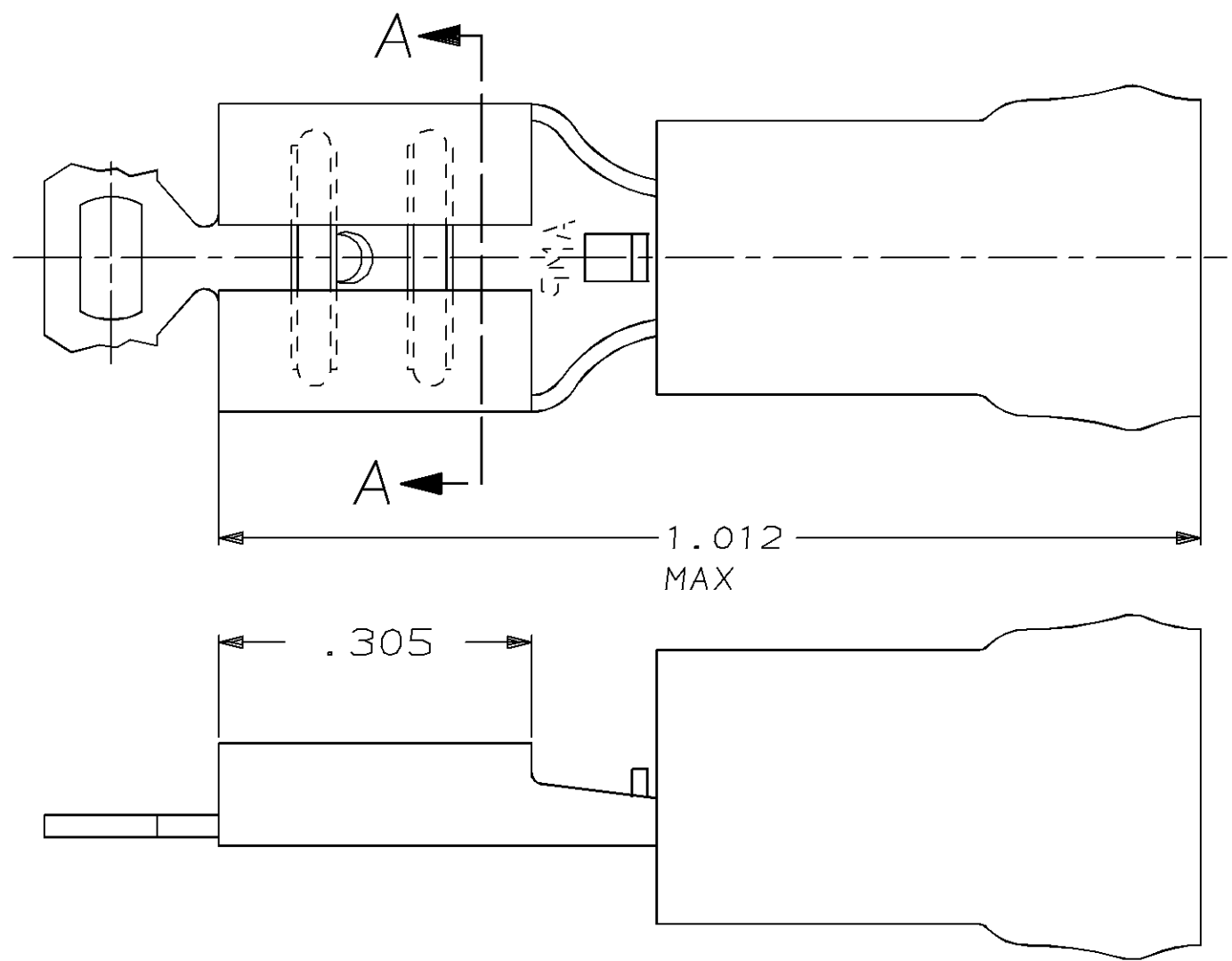
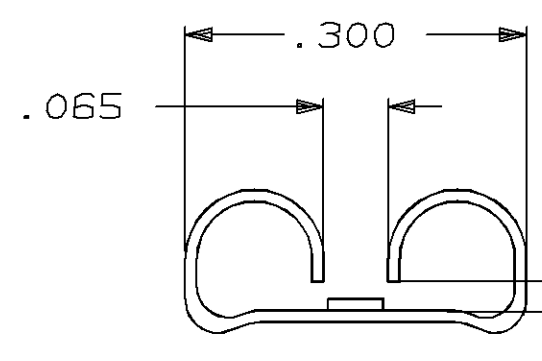


THIS DRAWING IS UNPUBLISHED. RELEASED FOR PUBLICATION ,19 .  
 © COPYRIGHT 19 BY AMP INCORPORATED. ALL RIGHTS RESERVED.

LOC	DIST	REVISIONS					
		P	LTR	DESCRIPTION	DATE	DWN	APVD
G	14	P		REDRAWN PER 0720-0244-93	24APR96	LO	ME



1. MAX WIRE LIMITED TO 6,470 CMA
2. FOR .250 MAX INSULATION DIA
3. FITS TAB .032±.001



FITS "250" SERIES FASTON TAB  
 (REFER TO CP-14251 FOR DETAILS)

SECT A-A

-	-	MINI	60544-3
QTY	PACKAGE TYPE	APPLICATOR TYPE	PART NO

AMP INCORPORATED CUSTOMER SERVICE SYSTEM	
FOR ADDITIONAL PRODUCT INFORMATION OR COPIES OF DRAWINGS AND TECHNICAL DOCUMENTS	PRODUCT INFORMATION CENTER 1-800-522-6752
FOR APPLICATION TOOLING INFORMATION	TOOLING ASSISTANCE CENTER 1-800-722-1111
FOR ORDER ENTRY	1-800-526-5142

MAX RECOMMENDED OPERATING TEMPERATURE: -
VOLTAGE RATING: -
CIRCULAR MIL AREA: -

THIS DRAWING IS A CONTROLLED DOCUMENT FOR AMP INCORPORATED. IT IS SUBJECT TO CHANGE AND THE CONTROLLING ENGINEERING ORGANIZATION SHOULD BE CONTACTED FOR THE LATEST REVISION.	
DIMENSIONS: mm [in]	TOLERANCES UNLESS OTHERWISE SPECIFIED:
	0 PLC ±-
	1 PLC ±-
	2 PLC ±0.38 [.015]
	3 PLC ±-
	4 PLC ±-
MATERIAL BODY, BRASS .018 SLV, NYLON, COLOR, GREEN	FINISH BODY, TIN -

DWN L OLMEDA	26JUN95	<b>AMP</b> AMP Incorporated Harrisburg, PA 17105-3608
CHK M ELLIS	26JUN95	
APVD B BARE	26JUN95	NAME RECEPTACLE, 250 SERIES, FASTON™, PIDG™, WIRE SIZE, 14-12 AWG
PRODUCT SPEC	-	SIZE A3
APPLICATION SPEC	-	CAGE CODE 00779
WEIGHT	-	DRAWING NO C-60544
CUSTOMER DRAWING	SCALE 6:1	SHEET 1 OF 1
		REV P