

**PROPRIETARY DATA:**

This document and information contained may not be reproduced, used or disclosed without prior written permission of WESTCOR a division of VICOR Corporation.

REVISION HISTORY				
ECO	REV	DESCRIPTION	DATE	APPROVED
431	A	PRODUCTION RELEASE	03-21-96	RBD
567	B	DIM:2.79 IS:4.25+.25\-.0 AD TOL	07-19-96	RBD
605	C	DIM MAX DIA WAS 1.53	12-31-98	RBD
1023	D	CHG NOTES 2.1 & 3.2, TITLE CHG	06-13-00	RBD
1225	D1	ADD MATERIAL COMPLIANCE NOTE	06/19/03	LGK

NOTES: UNLESS OTHERWISE SPECIFIED

1. MATERIALS:

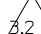
- 1.1 CORE: TOROID - 1.300 X .785 X .420 (IRON POWDER - LOW LOSS,  $\mu = 60$ )  
MAGNETICS: 77071-A7
- 1.2 WIRE: U.L. RECOGNIZED 130°C (MIN) RATING  
MAGNET WIRE-SOLDERABLE
- 1.3 OUTERWRAP UL RECONIZED (UL 510)  
PERMASIL: #213, #286 OR 3M #69

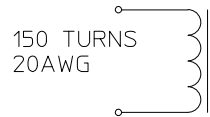
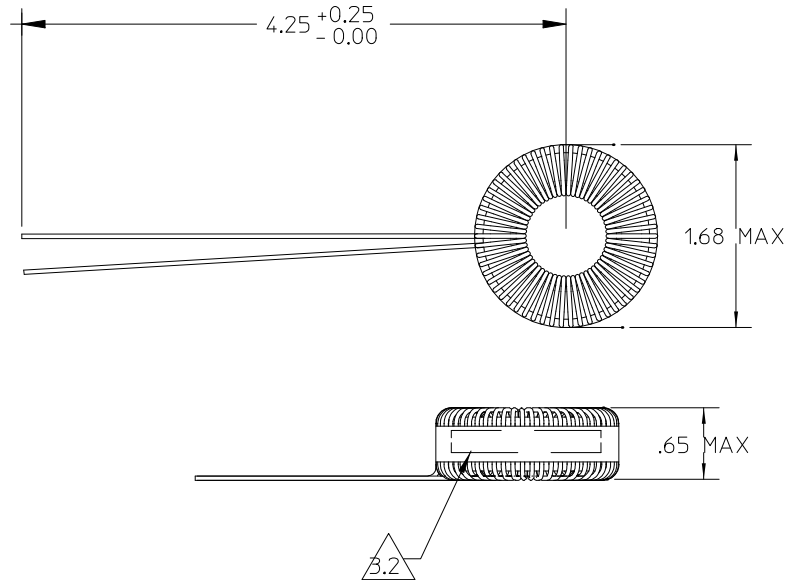
2. SPECIFICATIONS:

- 2.1 L = 1.38mH +/- 25% @ 1mA, MIN/COIL (1KHZ, <1Vrms)
- 2.2 L = .45mH TYPICAL @ 6 ADC BIAS, 1 KHZ.  
TEST FREQUENCY
- 2.3 DCR = .25 OHMS MAX

3. CONSTRUCTION:


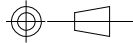
- 3.1 WIND COIL EVENLY SPACED

- 3.2  WRAP INDUCTOR WITH TAPE, (PER NOTE 1.3).  
MARK PART NUMBER AND REVISION IN (BLACK) APPROX.  
WHERE SHOWN, USING A PERMANENT MARKING METHOD.



SCHEMATIC

NOTE: CERTIFICATION OF MATERIAL COMPLIANCE REQUIRED

		UNLESS OTHERWISE SPECIFIED DIMENSIONS ARE IN INCHES TOLERANCES ARE:		THIRD ANGLE PROJECTION		 WESTCOR a division of VICOR Corp.			
		FRACTIONS    DECIMALS    ANGLES ± 1/32        .XX ± .01        ± 1/2° .XXX ± .005				INDUCTOR TOROID			
		MATERIAL		APPROVALS		DATE		1mH 4A 1.68 DIA X .65 WIDE	
---		SEE NOTES		DRAWN S.KEITH		08/22/95			
NEXT ASSY		USED ON		CHECKED L.SANTOS		3/21/96		SIZE CAGE CODE DWG NO.	
APPLICATION		DO NOT SCALE DRAWING		APPROVED R.B. DRABING		3/21/96		B -- 36-00036	
						SCALE NTS		FILENAME: 36-00036 SHEET 1 OF 1	
								REV D1	