

RC-00000002300 - Panel mounting base



1592577

<https://www.phoenixcontact.com/us/products/1592577>

Please be informed that the data shown in this PDF document is generated from our online catalog. Please find the complete data in the user documentation. Our general terms of use for downloads are valid.



Panel mounting base, series: RC, straight, Screw locking, M23, Flat gasket, 4x Ø 3.2, shielded: yes, Alternative product in accordance with RoHS II without Exemption 6c (Pb <0.1%) item no.: 1240229

Commercial data

Item number	1592577
Packing unit	1 pc
Minimum order quantity	1 pc
Sales key	AB31
Product key	ABRAFP
GTIN	4046356191630
Weight per piece (including packing)	26.398 g
Weight per piece (excluding packing)	26 g
Customs tariff number	85366990
Country of origin	DE

RC-00000002300 - Panel mounting base



1592577

<https://www.phoenixcontact.com/us/products/1592577>

Technical data

Product properties

Product type	Panel mounting base
Application	Signal
Series	RC
Shielded	yes
Thread type	M23

Material specifications

Housing material	Metal
------------------	-------

Connector

Type	straight
------	----------

Environmental and real-life conditions

Ambient conditions

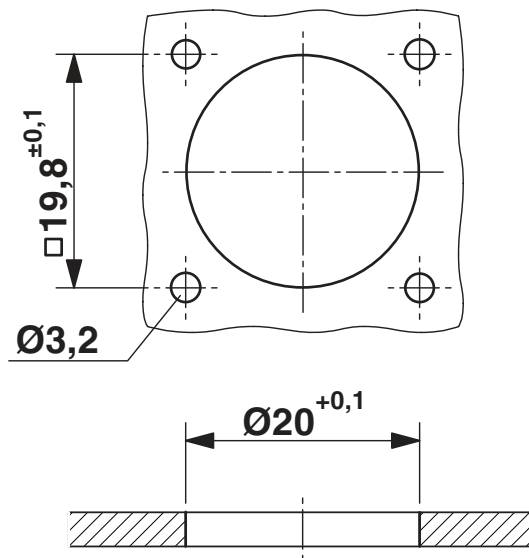
Degree of protection	IP67
----------------------	------

Mounting

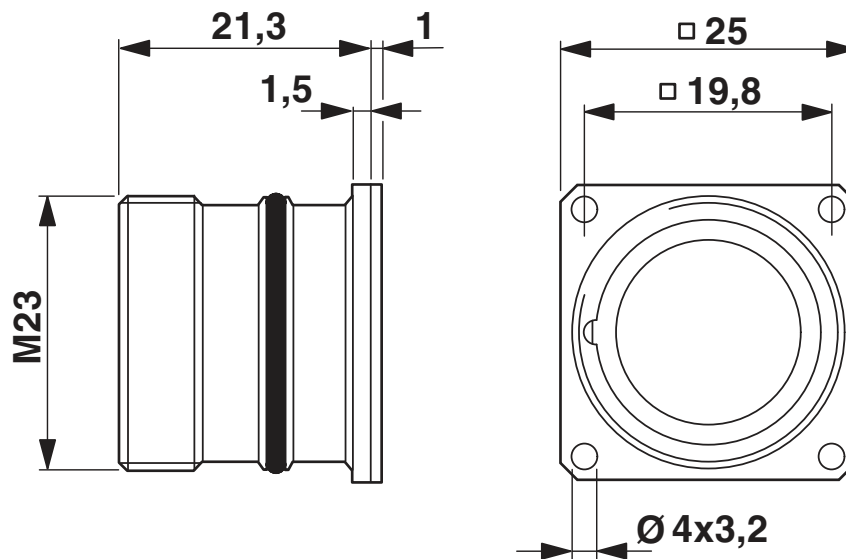
Mounting	4x Ø 3.2
----------	----------

Drawings

Dimensional drawing



Dimensional drawing



RC-00000002300 - Panel mounting base



1592577

<https://www.phoenixcontact.com/us/products/1592577>

Classifications

ECLASS

ECLASS-11.0	27440224
ECLASS-12.0	27440224
ECLASS-13.0	27440224

ETIM

ETIM 8.0	EC002641
----------	----------

UNSPSC

UNSPSC 21.0	39121400
-------------	----------

RC-00000002300 - Panel mounting base



1592577

<https://www.phoenixcontact.com/us/products/1592577>

Environmental product compliance

REACH SVHC	Lead 7439-92-1
China RoHS	Environmentally Friendly Use Period = 50 years
	For information on hazardous substances, refer to the manufacturer's declaration available under "Downloads"

Phoenix Contact 2023 © - all rights reserved

<https://www.phoenixcontact.com>

Phoenix Contact USA
586 Fulling Mill Road
Middletown, PA 17057, United States
(+717) 944-1300
info@phoenixcon.com