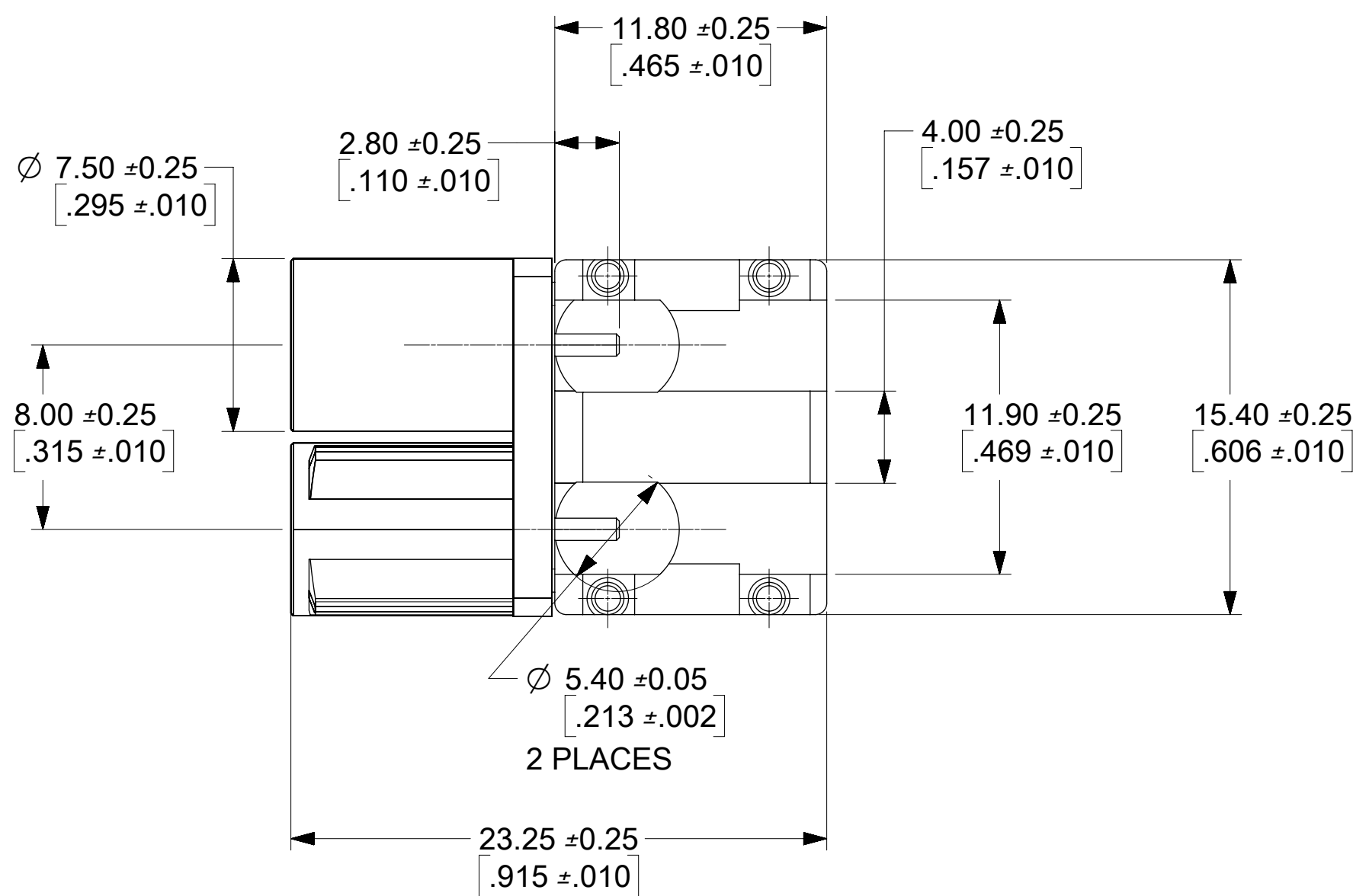
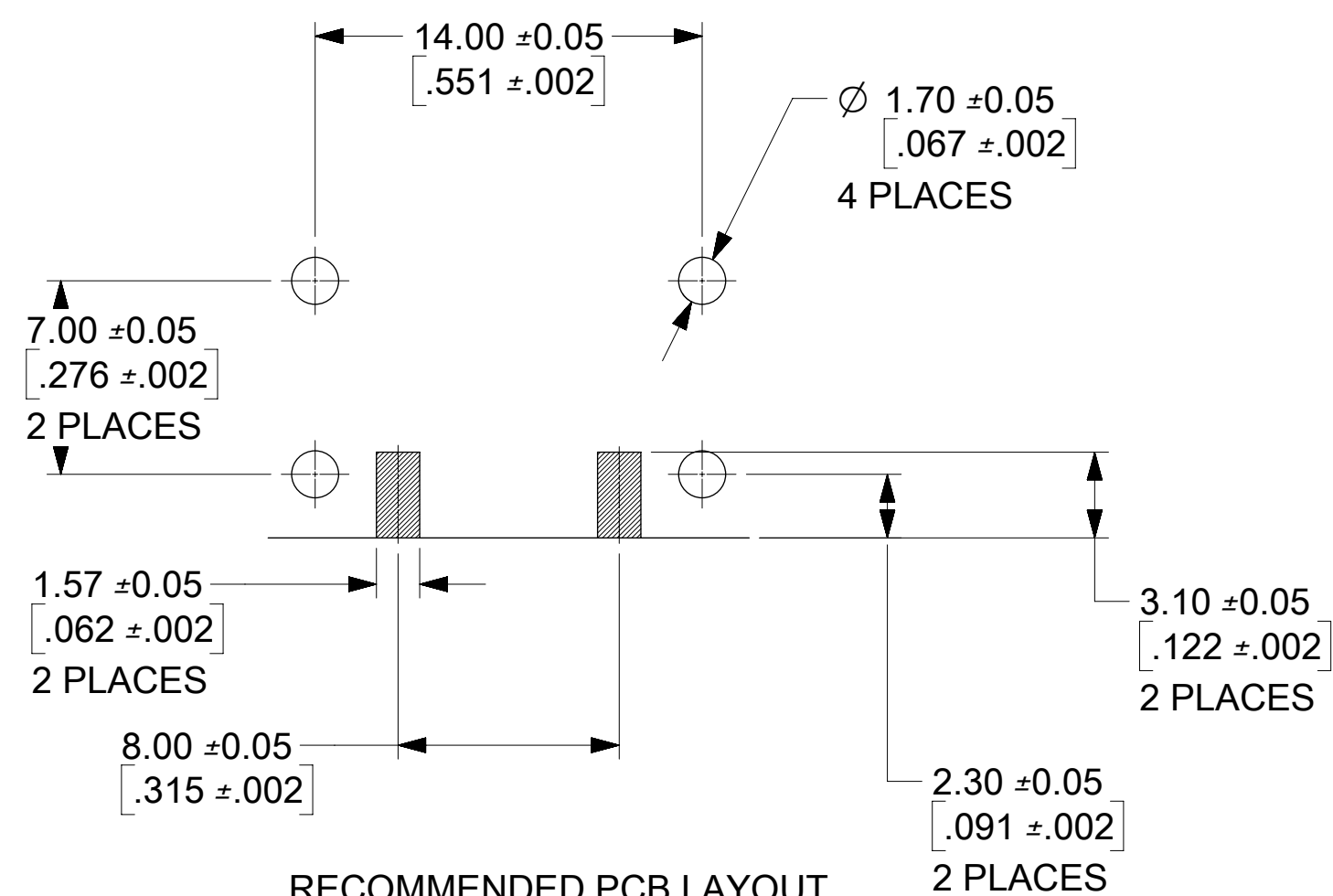
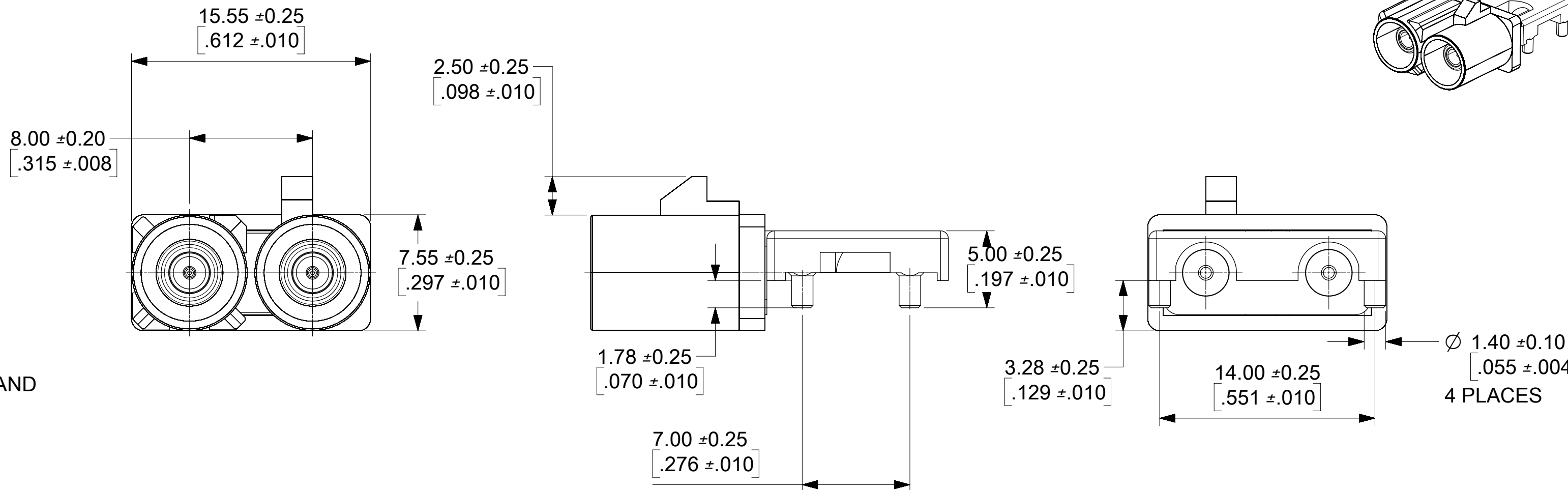
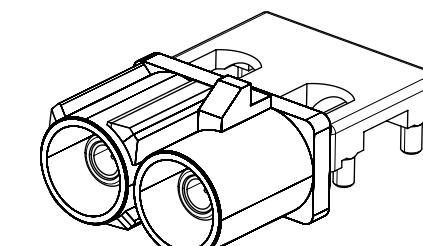


MATERIALS AND FINISHES

- BODY ZINC PLATED TIN
- CENTER CONTACT BRASS PLATED GOLD
- OUTER CASING HIGH TEMPERATURE PLASTIC KEYING SEE TABLE COLOR SEE TABLE
- INSULATOR TEFLON

RETENTION SPECIFICATION
THE FAKRA CONNECTOR SHROUD WILL WITHSTAND A LONGITUDINAL FORCE OF 110 N (24.75 LBS)

PACKAGE BY TRAY

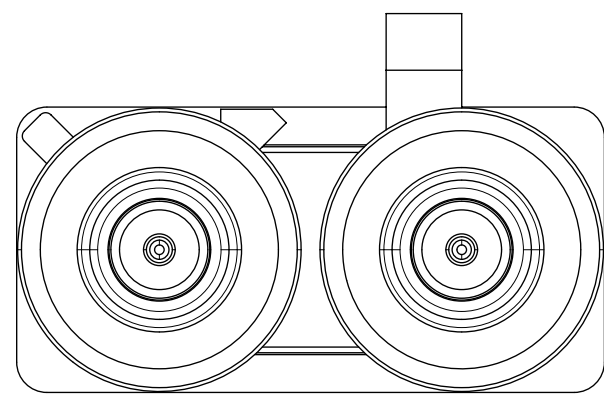


PS-89675-3310	PRODUCT SPECIFICATION
MIL-STD-348A. FIG. 311.1	INTERFACE SPECIFICATION
SPECIFICATION	DESCRIPTION

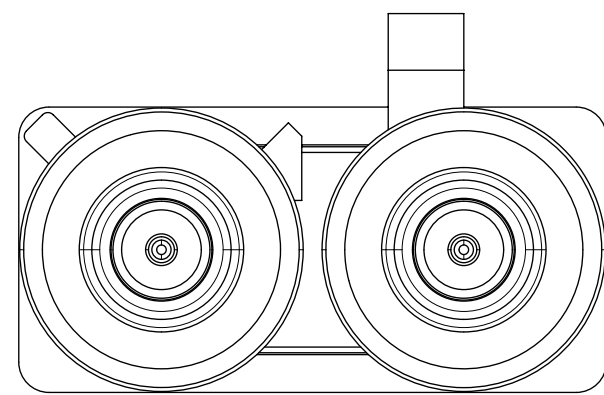
REVISION HISTORY		
DATE	REV.	DESCRIPTION
4/11/2012	A	NEW RELEASE
7/2/2014	B	DESIGN CHANGE BODY
8/26/2016	B1	ADDED PACKAGE DRAWING
04/12/2018	B2	ADDED DIM. PER 11988

THIS DRAWING CONTAINS INFORMATION THAT IS PROPRIETARY TO MOLEX ELECTRONIC TECHNOLOGIES, LLC AND SHOULD NOT BE USED WITHOUT WRITTEN PERMISSION

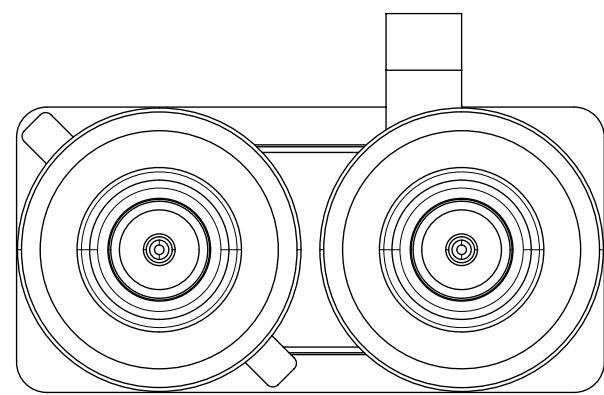
DIMENSION UNITS: HYBRID	SCALE:	CURRENT REV DESC:	molex
GENERAL TOLERANCES (UNLESS SPECIFIED)		EC NO: 174984	
ANGULAR TOL ± °		DRWN: ELIN 2018/04/12	SMB JACK DUAL FAKRA EDGE LAUNCH PCB 50 OHMS SMB-J/PCB
4 PLACES ±		CHK'D:	PRODUCT CUSTOMER DRAWING
3 PLACES ±		APPR:	DOCUMENT NUMBER
2 PLACES ±		INITIAL REVISION:	DOC TYPE
1 PLACE ±		DRWN: ELIN 2014/07/02	DOC PART
0 PLACES ±		APPR: YCHENG 2016/10/06	REVISION
DRAFT WHERE APPLICABLE MUST REMAIN WITHIN DIMENSIONS	THIRD ANGLE PROJECTION	DRAWING	SD-73403-533
		SERIES	PSD
			000
			B2
		MATERIAL NUMBER	SEE SHEET 2
		CUSTOMER	GENERAL MARKET
		SHEET NUMBER	1 OF 3



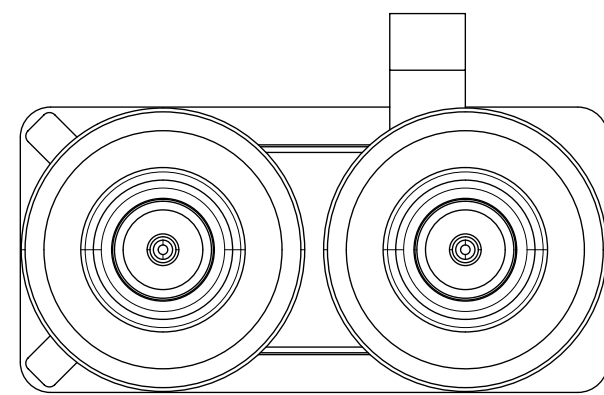
CODE A



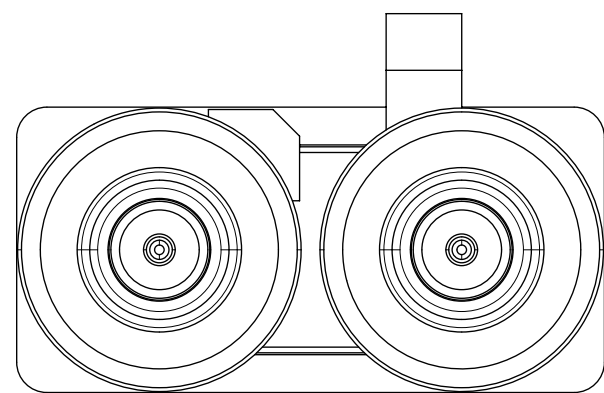
CODE B



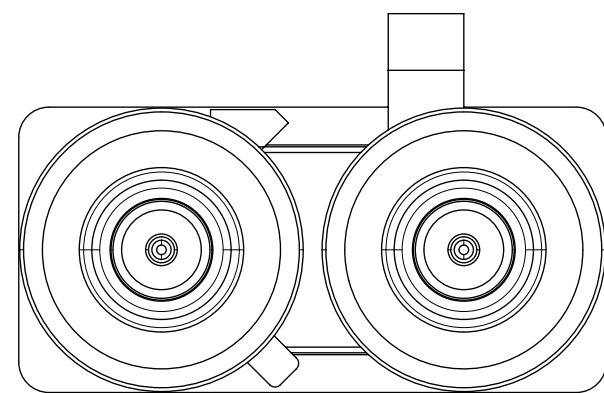
CODE C



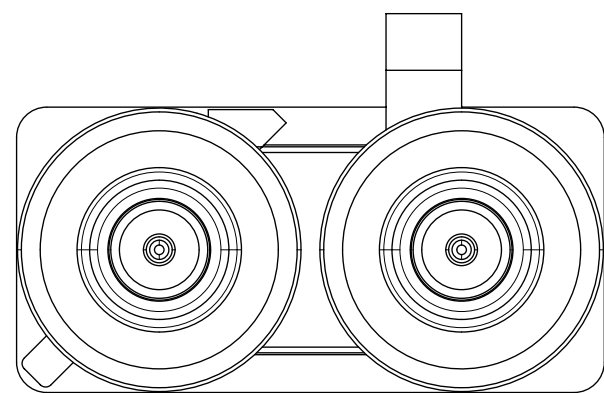
CODE D



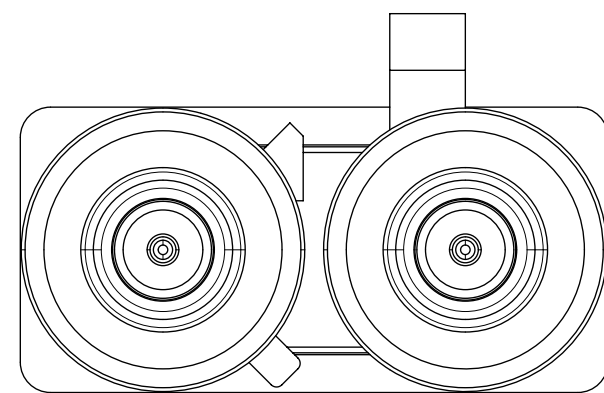
CODE E



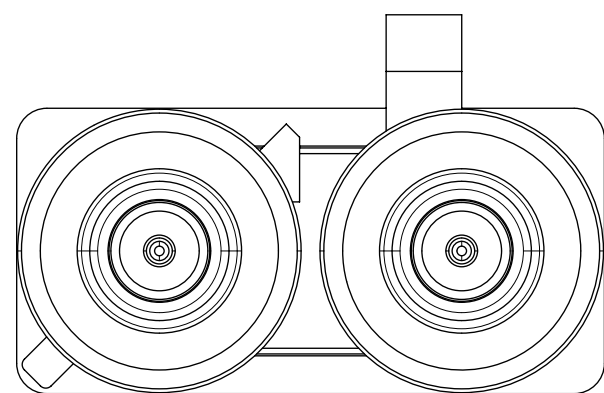
CODE F



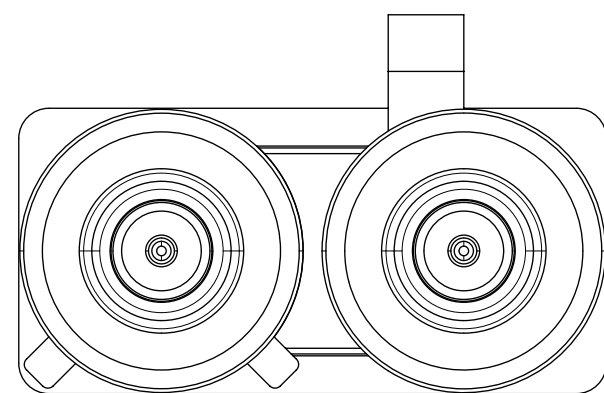
CODE G



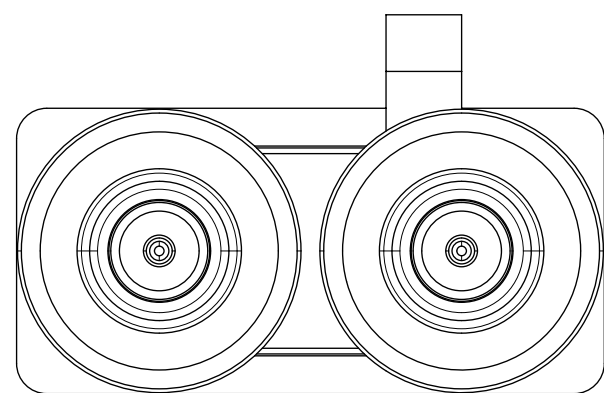
CODE H



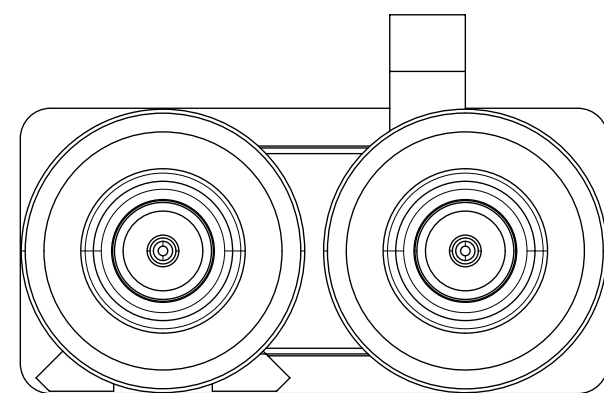
CODE I



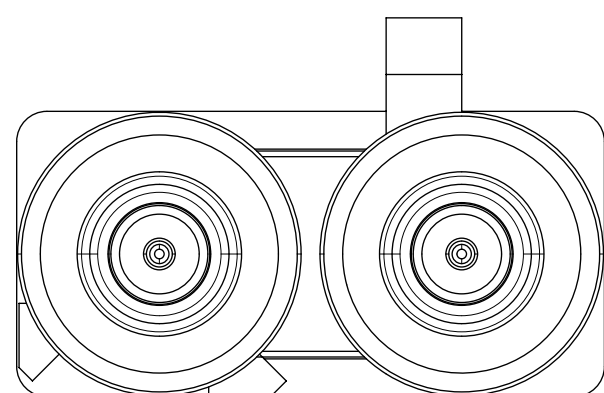
CODE K



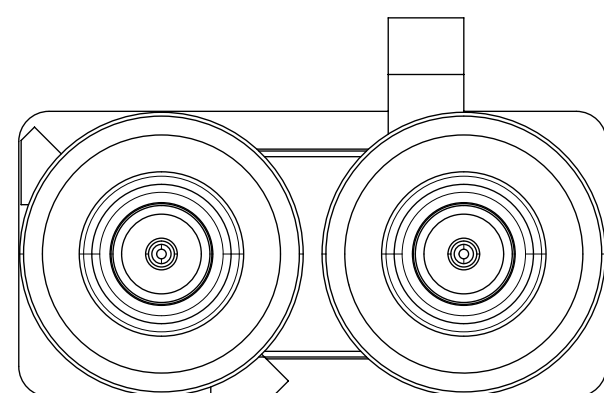
CODE Z



CODE L



CODE M

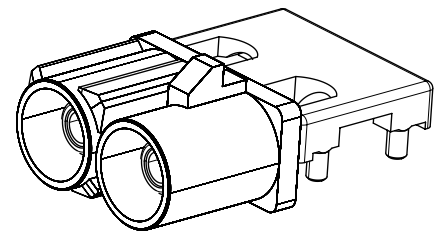


CODE N

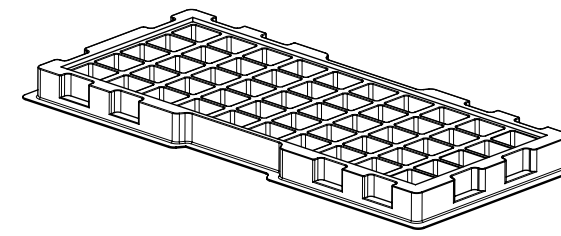
N	PASTEL GREEN	73403-5343
M	PASTEL ORANGE	73403-5342
L	CARMINE RED	73403-5341
Z	WATER BLUE	73403-5340
K	CURRY YELLOW	73403-5339
I	BEIGN	73403-5338
H	VIOLET	73403-5337
G	GRAY	73403-5336
F	BROWN	73403-5335
E	GREEN	73403-5334
D	BORDEAUXVILOET	73403-5333
C	BLUE	73403-5332
B	CREAM WHITE	73403-5331
A	BLACK	73403-5330
KEYING CODE	COLOR	PART NO.

THIS DRAWING CONTAINS INFORMATION THAT IS PROPRIETARY TO MOLEX ELECTRONIC TECHNOLOGIES, LLC AND SHOULD NOT BE USED WITHOUT WRITTEN PERMISSION															
DIMENSION UNITS		SCALE		CURRENT REV DESC:				molex							
HYBRID															
GENERAL TOLERANCES (UNLESS SPECIFIED)				EC NO: 174984		2018/04/12		SMB JACK DUAL FAKRA EDGE LAUNCH PCB 50 OHMS SMB-J/PCB							
ANGULAR TOL		± °		DRWN: ELIN											
4 PLACES		±		CHK'D:		PRODUCT CUSTOMER DRAWING									
3 PLACES		±		APPR:											
2 PLACES		±		INITIAL REVISION:		DOCUMENT NUMBER		DOC TYPE		DOC PART		REVISION			
1 PLACE		±		DRWN: ELIN										SD-73403-533	
0 PLACES		±		APPR: YCHENG		2014/07/02		MATERIAL NUMBER		CUSTOMER		SHEET NUMBER			
DRAFT WHERE APPLICABLE MUST REMAIN WITHIN DIMENSIONS				THIRD ANGLE PROJECTION		DRAWING		SERIES		SEE TABLE		GENERAL MARKET		2 OF 3	
						C-SIZE		73403							

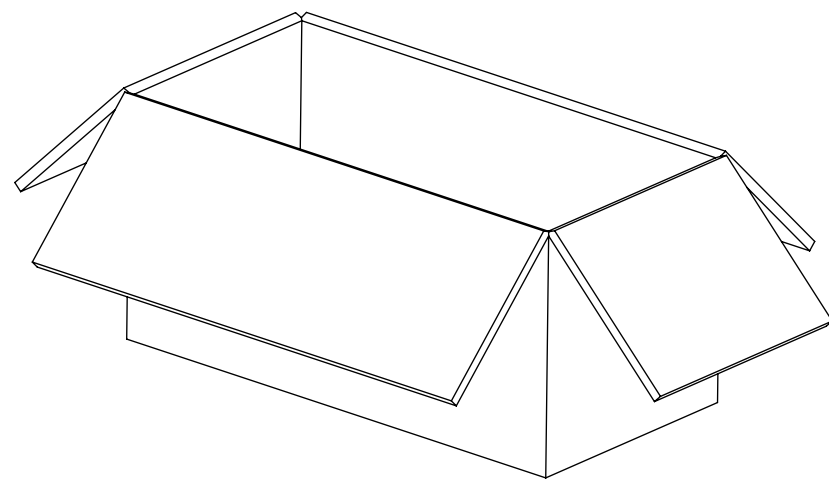
DOCUMENT STATUS	P1	RELEASE DATE	2018/04/17	07:36:54
-----------------	----	--------------	------------	----------



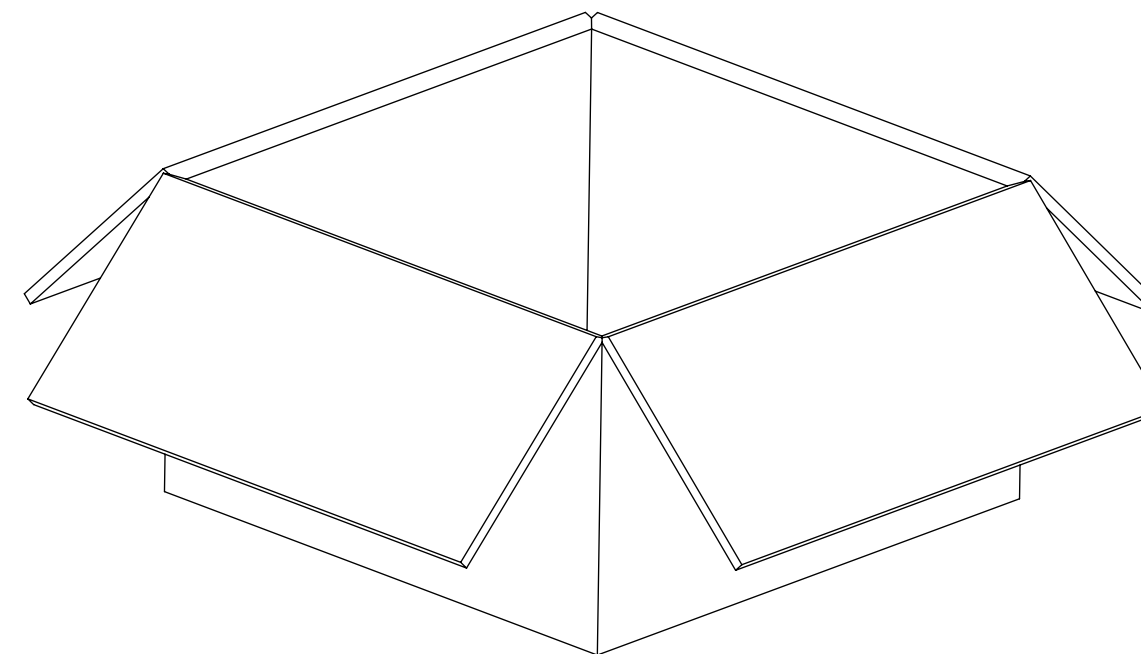
P/N: 73403-533X



50 SET PER TRAY
TRAY P/N: 89707-0343



400 SET PER INNER
CARTON BOX
P/N: 96707-0001



800 SET PER OUTER
CARTON BOX
P/N: 96708-0005



THIS DRAWING CONTAINS INFORMATION THAT IS PROPRIETARY TO MOLEX ELECTRONIC TECHNOLOGIES, LLC AND SHOULD NOT BE USED WITHOUT WRITTEN PERMISSION									
DIMENSION UNITS		SCALE		CURRENT REV DESC:				molex	
HYBRID									
GENERAL TOLERANCES (UNLESS SPECIFIED)				EC NO: 174984		2018/04/12		SMB JACK DUAL FAKRA EDGE LAUNCH PCB 50 OHMS SMB-J/PCB	
ANGULAR TOL ± °				DRWN: ELIN				PRODUCT CUSTOMER DRAWING	
4 PLACES ±				CHK'D:				DOCUMENT NUMBER	
3 PLACES ±				APPR:				SD-73403-533	
2 PLACES ±				INITIAL REVISION:				DOC TYPE	
1 PLACE ±				DRWN: ELIN		2014/07/02		DOC PART	
0 PLACES ±				APPR: YCHENG		2016/10/06		REVISION	
DRAFT WHERE APPLICABLE MUST REMAIN WITHIN DIMENSIONS				THIRD ANGLE PROJECTION		DRAWING		SHEET NUMBER	
						C-SIZE		3 OF 3	
						SERIES		MATERIAL NUMBER	
						73403		CUSTOMER	
						SEE SHEET 2		GENERAL MARKET	

DOCUMENT STATUS	P1	RELEASE DATE	2018/04/17	07:36:54
-----------------	----	--------------	------------	----------