

© COPYRIGHT 19 BY AMP INCORPORATED, HARRISBURG, PA.  
ALL INTERNATIONAL RIGHTS RESERVED. AMP INCORPORATED PRODUCTS  
COVERED BY U. S. AND FOREIGN PATENTS AND/OR PATENTS PENDING.

53116-1 I. AS SHOWN  
M55302/31-08

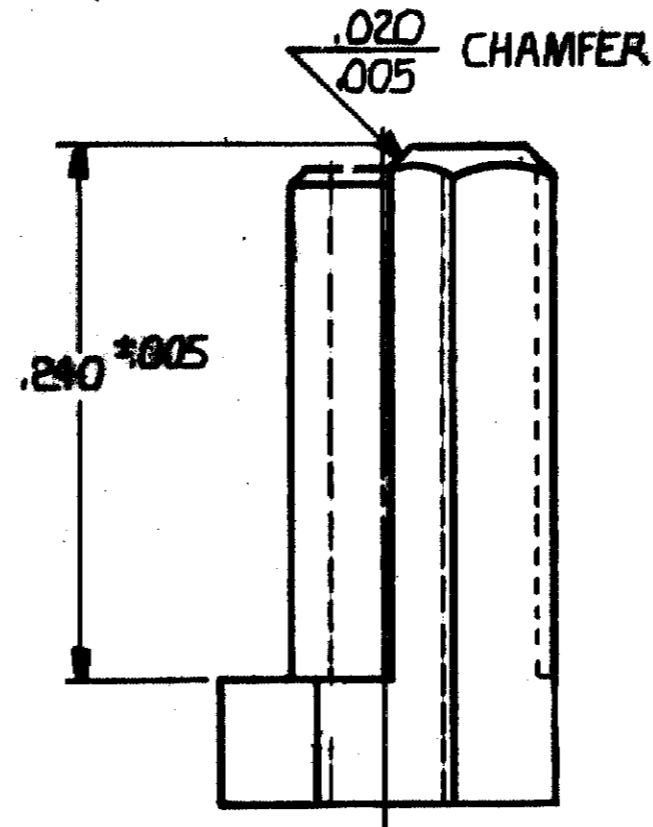
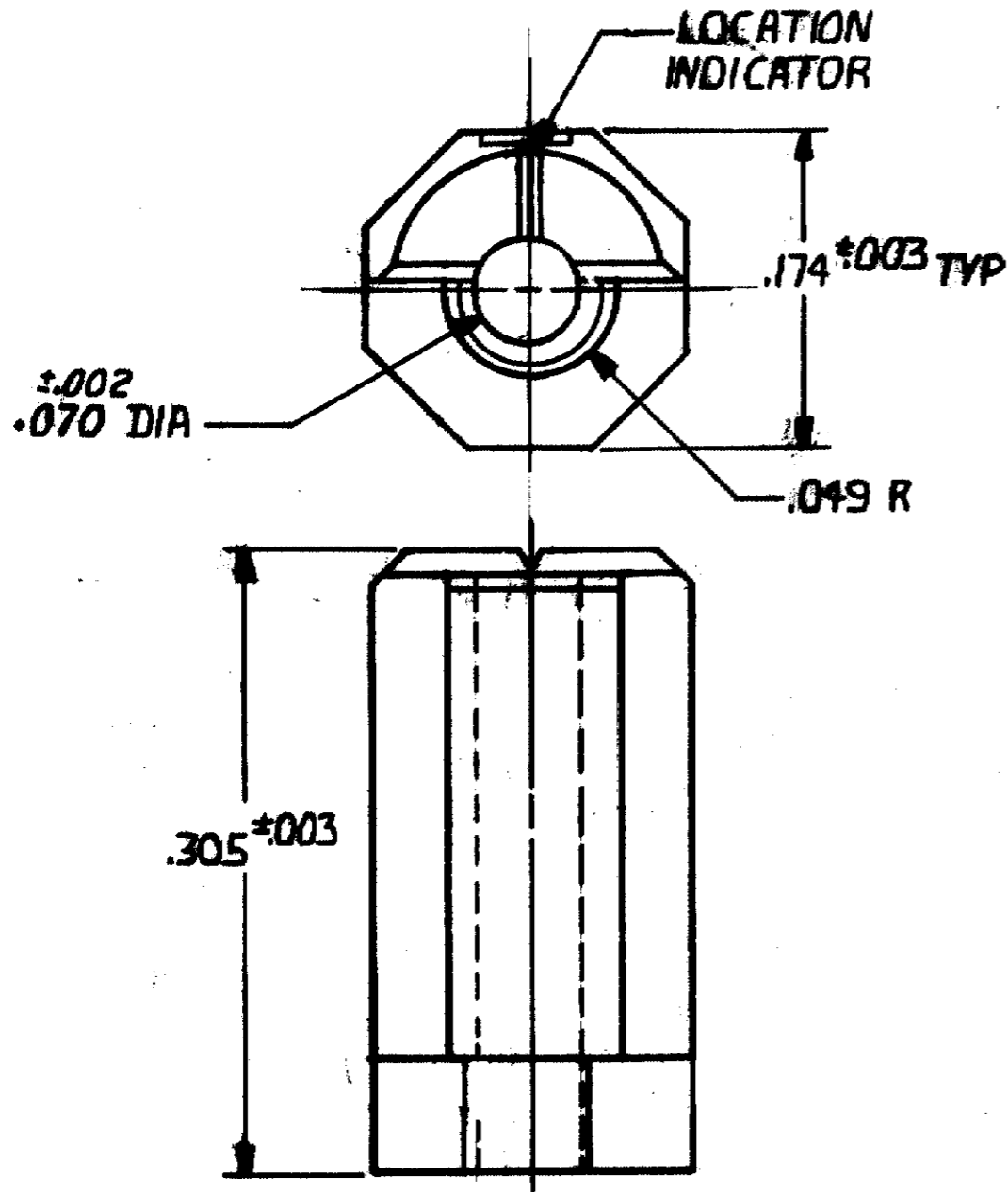
REVISIONS						
P	F	ZONE	LTR	DESCRIPTION	DATE	APPROVED
	✓		O	RELEASED WAS 5085-430	RW 2-16-79	
A	✓		A	REVISED 5962	mm S 3-15-79	
	✓		B	REVISED: AB-1237	db 11-85	EAM
	✓		BI	ECN AB-2357	2/87	EAM

D

C

B

A



UNLESS OTHERWISE SPECIFIED DIMENSIONS ARE IN INCHES. TOLERANCES ON: DECIMALS ± ANGLES ±		CONTRACT NO	AMP INCORPORATED Harrisburg, Pa.	
MATERIAL GLASS FILLED POLYESTER COLOR BLACK		DRG <i>Robert Weber</i> 2-2-79	NAME EXTERNAL KEY FOR BOX CONNECTOR	
FINISH —		CHK <i>R.W. Dudgeon</i> 2-16-79	SIZE B	CODE IDENT NO 00779
		APPD <i>Floyd W. Dumb</i> 2-16-79	DRAWING NO 53116	
		APPD <i>R. Blum</i> 2-16-79	SCALE 10:1	SHEET
		DSGN APPD		
		OTHER APPD		