

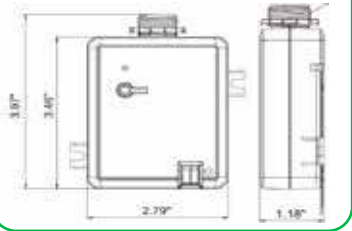


\*your manual control system starter kit

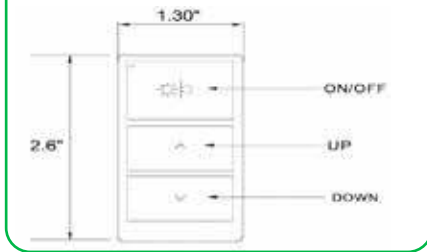
Part Number	Frequency	Voltage	Range	Stand-by Consumption	Included Items
GI-WDCS-SPP	433.92 Mhz	⚡ 100-277 V	100 ft	0.6 W	0-10 V control unit



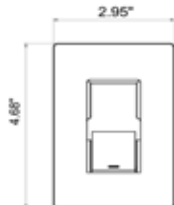
control unit



wireless dimmer switch



B.



mounting plate

\*add your auto control sensor accessories

Accessory Part Number	Description	Battery Life
GI-ACC-WDCS-DS 1 per system	controller and dimmer switch -includes wall mount	5-years A.
GI-ACC-WDCS-DLS 1 per system	daylight harvesting sensor	5-years B.
GI-ACC-WDCS-MFS up to 5 per system	<b>COMBO</b> -occupancy <b>COMBO</b> -daylight harvesting	5-years C.
GI-ACC-WDCS-OCC up to 5 per system	occupancy sensor	5-years D.

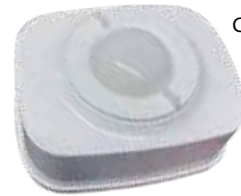
**Features**

- ▶ Batteries are included
- ▶ Seamless pairing



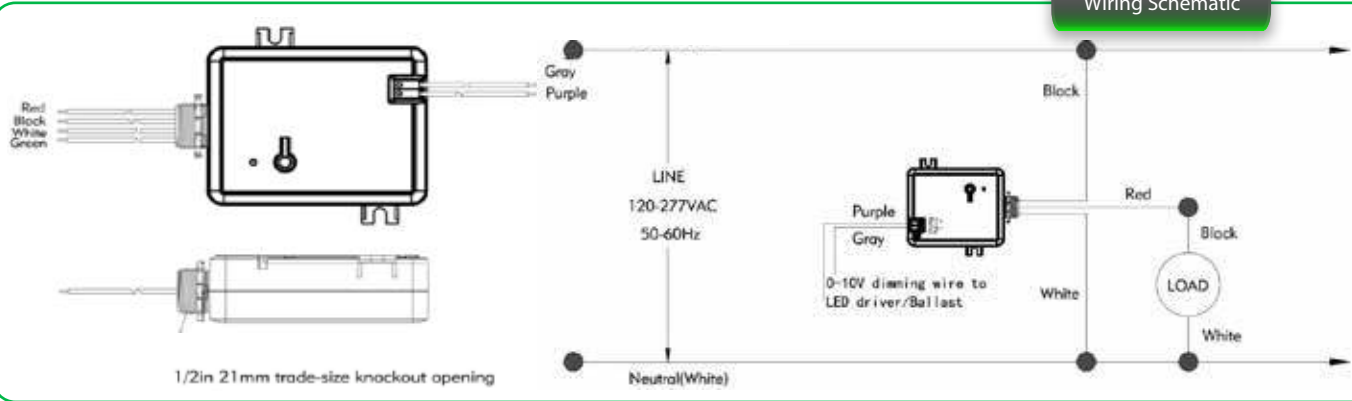
D.

\*optional

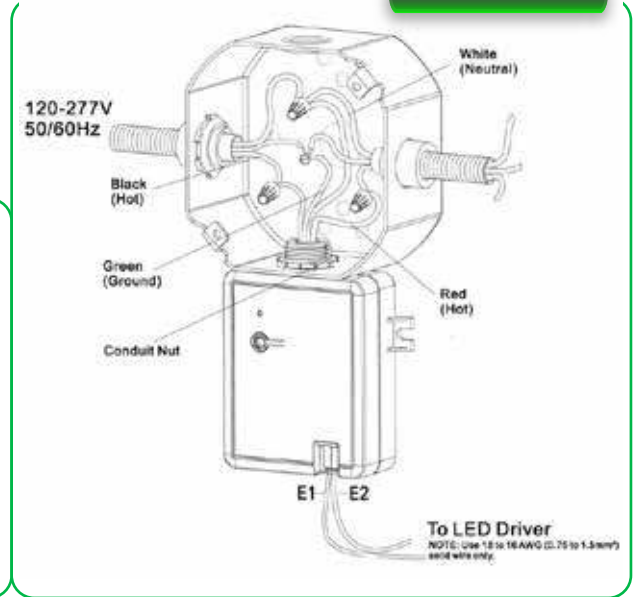


C.

**Wiring Schematic**



**Wiring Diagram**



Not all product variations listed on this page may be DLC qualified. Visit [www.designlights.org/search](http://www.designlights.org/search) to confirm qualification.

