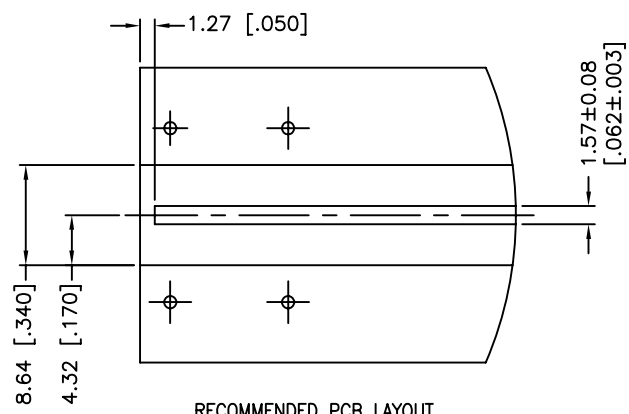
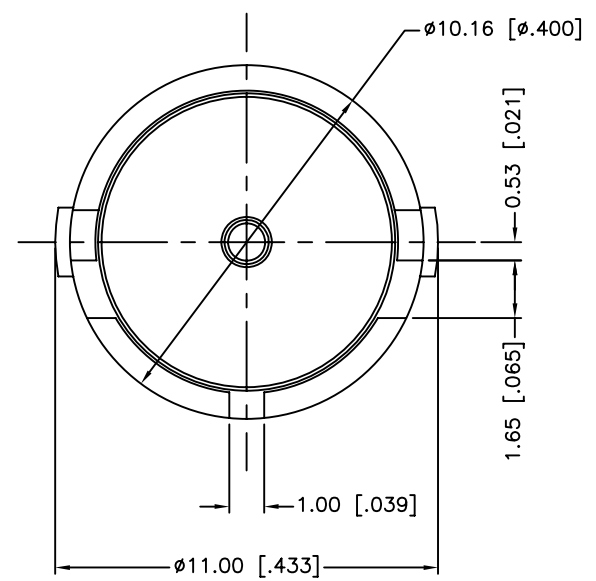
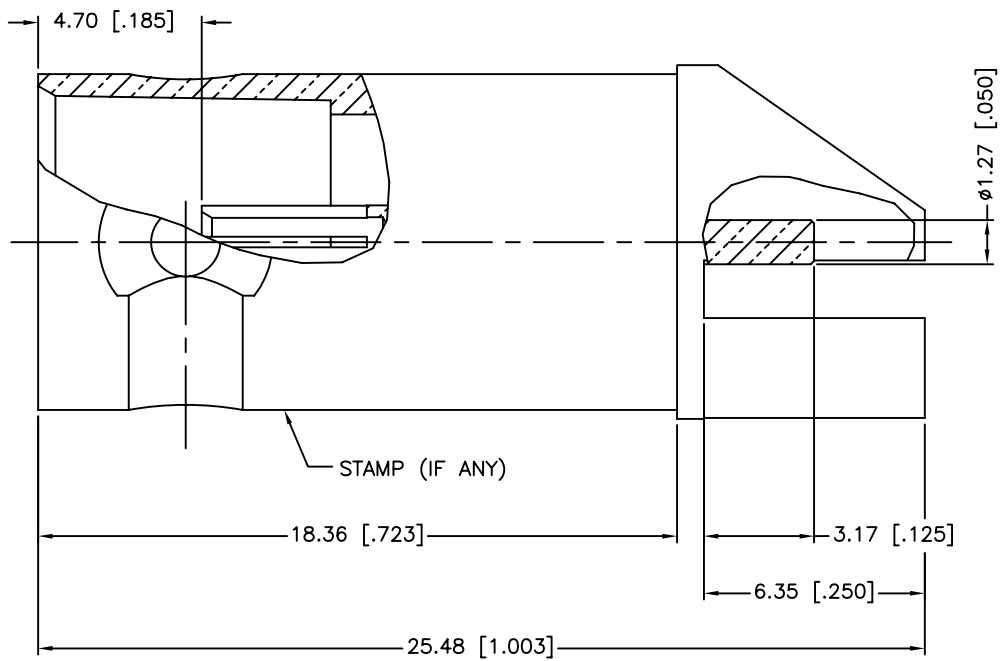


REV.	DATE	ECR NO.	DESCRIPTION
NC	04/14/10	XXXXXX	INITIAL RELEASE



RECOMMENDED PCB LAYOUT
SCALE 1:3



1. FREQUENCY RANGE: DC – 3 GHz
2. VSWR(RETURN LOSS): 1.15 MAX DC – 3GHz

QTY	FINISH	MATERIAL	DESCRIPTION
1	GOLD	BRASS	BODY
1	NATURAL	PTFE	INSULATOR
3	GOLD	BER. COPPER	CONTACT PIN

UNLESS OTHERWISE SPECIFIED DIMENSIONS ARE IN MILLIMETERS. DIMENSIONS IN [] ARE IN INCHES AND FOR CUSTOMER REFERENCE ONLY.

UNLESS OTHERWISE SPECIFIED TOLERANCES FOR MILLIMETERS ARE:
0.5 – 8mm ± 0.20mm
8 – 30mm ± 0.40mm
30 – 120mm ± 0.50mm

UNLESS OTHERWISE SPECIFIED TOLERANCES FOR INCHES ARE:
.020 – .315 = ± 0.007"
.315 – 1.180 = ± 0.015"
1.180 – 4.724 = ± 0.020"

DO NOT SCALE DRAWING

APPROVALS	DATE
DRAWN M.ZHANG	04/14/10
CHECKED	
ISSUED	
SHEET 1 OF 1	
CAD FILE C:/CONNEX/112801.DWG	

Amphenol Connex

PART DESCRIPTION
**BNC PCB MOUNT RECEPT. JACK
(FOR 75 OHMS)**

PART NO.
112801

DWG. NO. 112801.DWG REV. NC SIZE A SCALE NA