

## Technical data sheet Interconnection cable

Part no.: 50140431

KDS U-M124WM124A-T2100-010

### Contents

- Technical data
- Electrical connection
- Circuit diagrams

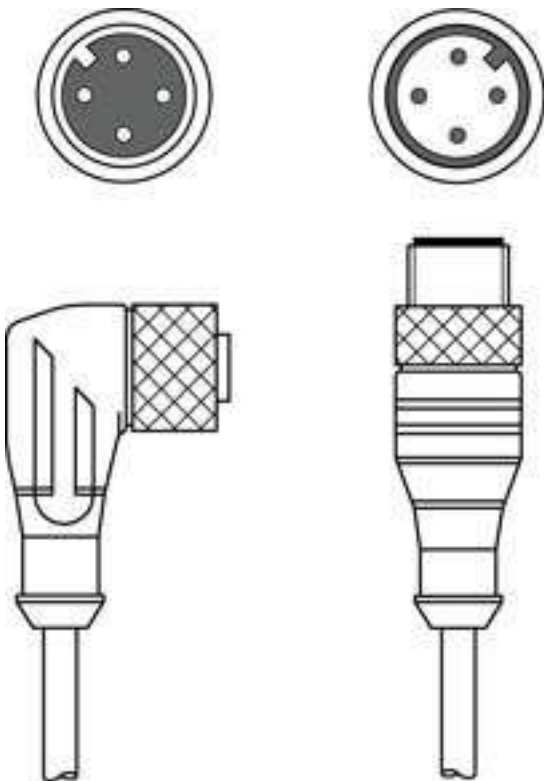


Figure can vary



## Technical data

### Connection

#### Connection 1

Type of connection	Connector
Thread size	M12
Type	Female
No. of pins	4 -pin
Encoding	A-coded
Version	Angled
Lock	Screw fitting, nickel-plated brass, recommended torque 0.5 Nm, self-locking

#### Connection 2

Type of connection	Connector
Thread size	M12
Type	Male
Handle body material	TPU
No. of pins	4 -pin
Encoding	A-coded
Version	Axial
Lock	Screw fitting, nickel-plated brass, recommended torque 0.5 Nm, self-locking

#### Cable properties

Number of conductors	4 Piece(s)
Wire cross section	0.34 mm <sup>2</sup>
AWG	22
Sheathing color	Yellow
Shielded	No
Silicone-free	Yes
Cable design	Interconnection cable
Cable length	1,000 mm
Sheathing material	TPE
Wire insulation	PVC
Suitability for drag chains	Yes
Traverse rate	Max. 3.3 m/s with horiz. traverse path of 5m and and max. acceleration of 5m/s <sup>2</sup>

### Mechanical data

Width across flats	14.5 mm
Bending cycles	1,000,000 Piece(s)

### Environmental data

Ambient temperature, operation, flexible use	-15 ... 90 °C
Ambient temperature, operation, stationary use	-35 ... 105 °C

### Certifications

Degree of protection	IP 65
	IP 67
	NEMA 6P

### Classification

Customs tariff number	85444290
eCl@ss 5.1.4	27279201
eCl@ss 8.0	27279218
eCl@ss 9.0	27060311
eCl@ss 10.0	27060311
eCl@ss 11.0	27060311
ETIM 5.0	EC001855
ETIM 6.0	EC001855
ETIM 7.0	EC001855

## Electrical connection

### Connection 1

Type of connection	Connector
Thread size	M12
Type	Female
No. of pins	4 -pin
Encoding	A-coded
Version	Angled
Lock	Screw fitting, nickel-plated brass, recommended torque 0.5 Nm, self-locking

# Electrical connection

## Connection 2

Type of connection	Connector
Thread size	M12
Type	Male
Handle body material	TPU
No. of pins	4 -pin
Encoding	A-coded
Version	Axial
Lock	Screw fitting, nickel-plated brass, recommended torque 0.5 Nm, self-locking

## Circuit diagrams

### Wiring schematic

