

THIS DRAWING IS UNPUBLISHED.

RELEASED FOR PUBLICATION

ALL RIGHTS RESERVED.

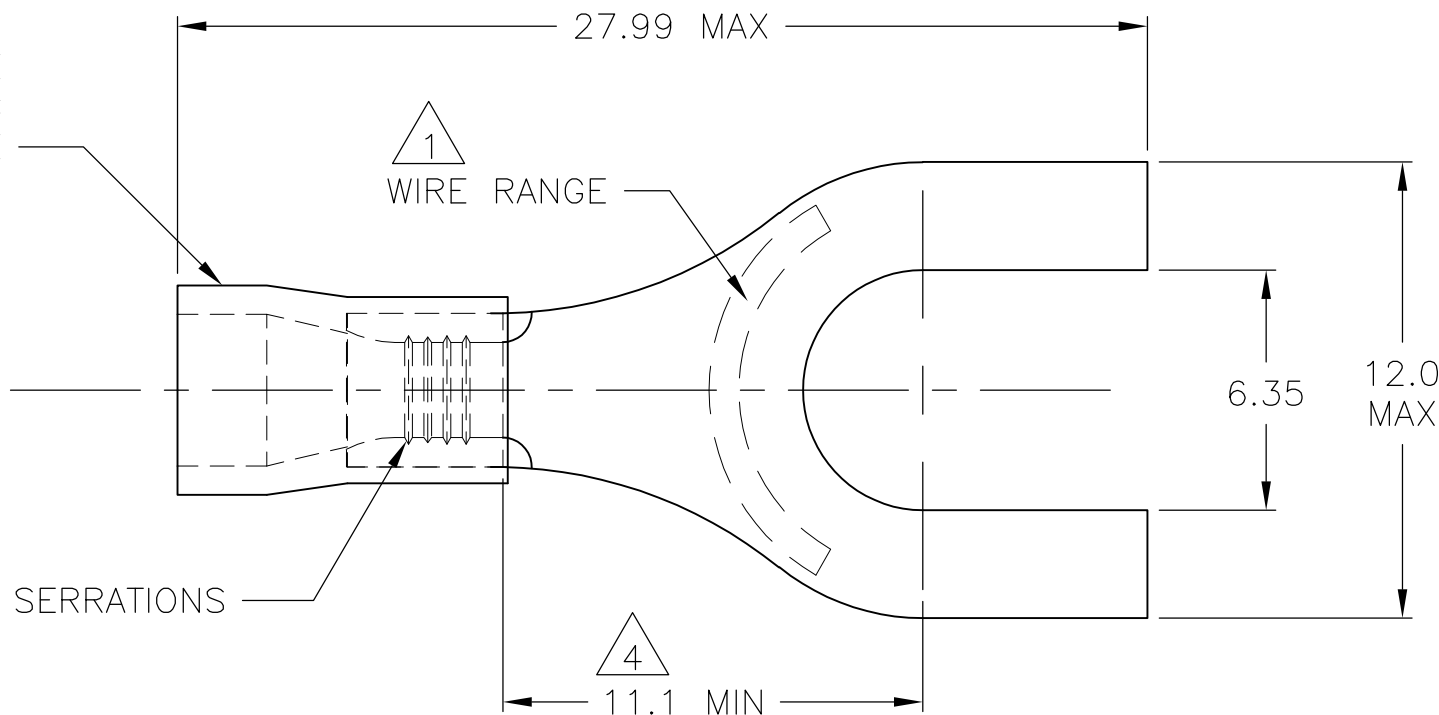
© COPYRIGHT - By -

LOC: G DIST: 02

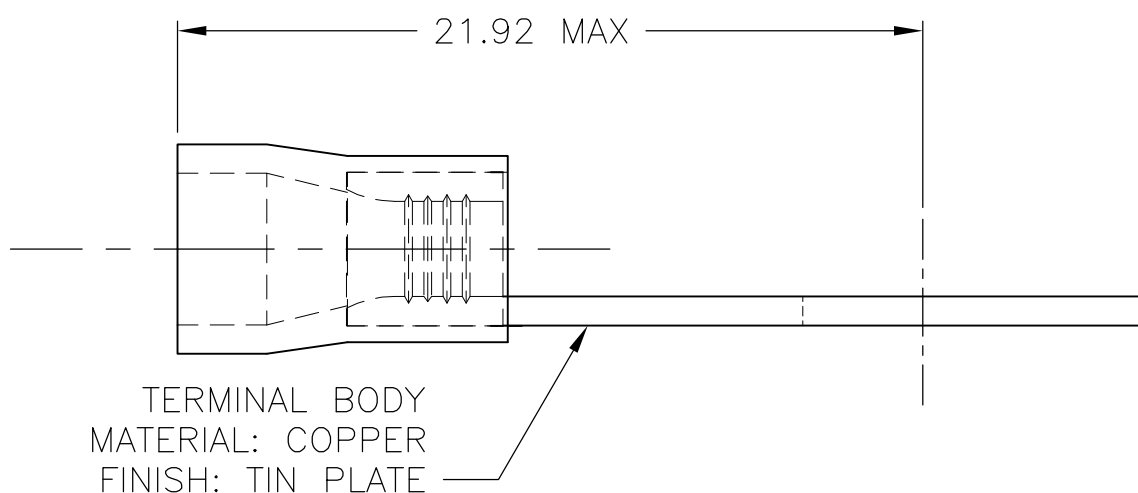
REVISIONS

P	LTR	DESCRIPTION	DATE	DWN	APVD
	C1	REVISED PER ECO-14-012836	21AUG2014	NK	DR

INSULATION SLEEVE
MATERIAL: PVC
COLOR: BLUE



- 1 WIRE SIZE IS 16-14 AWG
- 2 WIRE INSULATION DIA: 3.0-4.9
- 3 MATERIAL THICKNESS IS 0.80±0.05
- 4 DIMENSION APPLIES FROM EDGE OF METAL WIRE BARREL TO CENTER OF STUD HOLE.
- 5 600 VOLT MAX
- 6 CIRCULAR MIL AREA: 2,050-5,180 (1.04mm²-2.62mm²)



PLASTIC BAG	STANDARD	1000	130568
PACKAGING	LABELLING	QTY	PART NO

THIS DRAWING IS A CONTROLLED DOCUMENT.		DWN jr_ruth	08DEC05	STE TE Connectivity	
DIMENSIONS: mm		CHK T MICHELUTTI	08DEC05		
TOLERANCES UNLESS OTHERWISE SPECIFIED:		APVD T MICHELUTTI	08DEC05	NAME	
0 PLC ± -		PRODUCT SPEC		TERMINAL, SPADE, PLASTI-GRIP,	
1 PLC ± 0.5		APPLICATION SPEC			
2 PLC ± -		WEIGHT		SIZE	RESTRICTED TO
3 PLC ± -		-		A3	-
4 PLC ± -		CUSTOMER DRAWING		CAGE CODE	DRAWING NO
ANGLES ± 1°		-		00779	C-130568
MATERIAL		FINISH		SCALE	SHEET
-		-		5:1	1 OF 1
				REV	C1