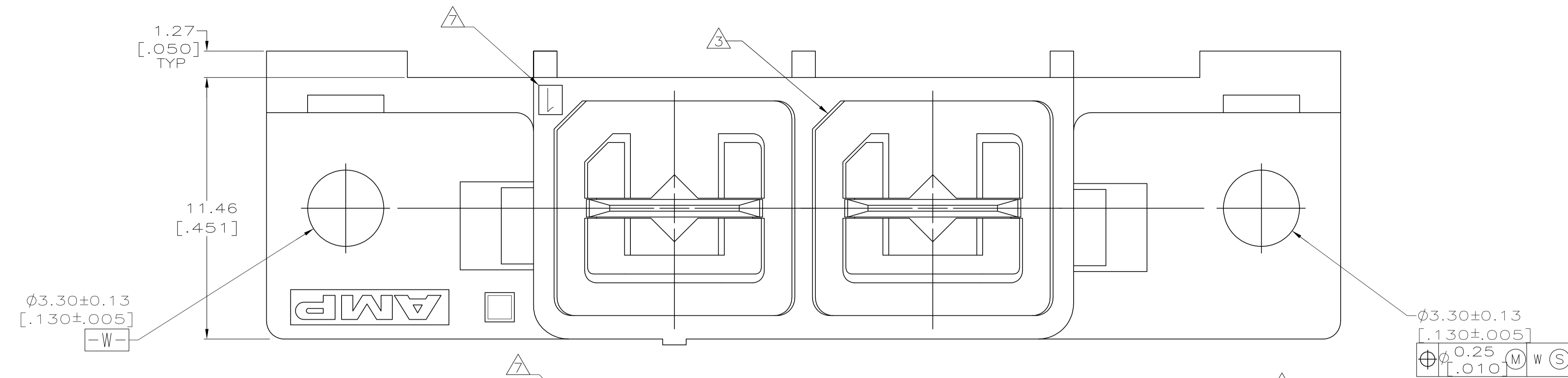
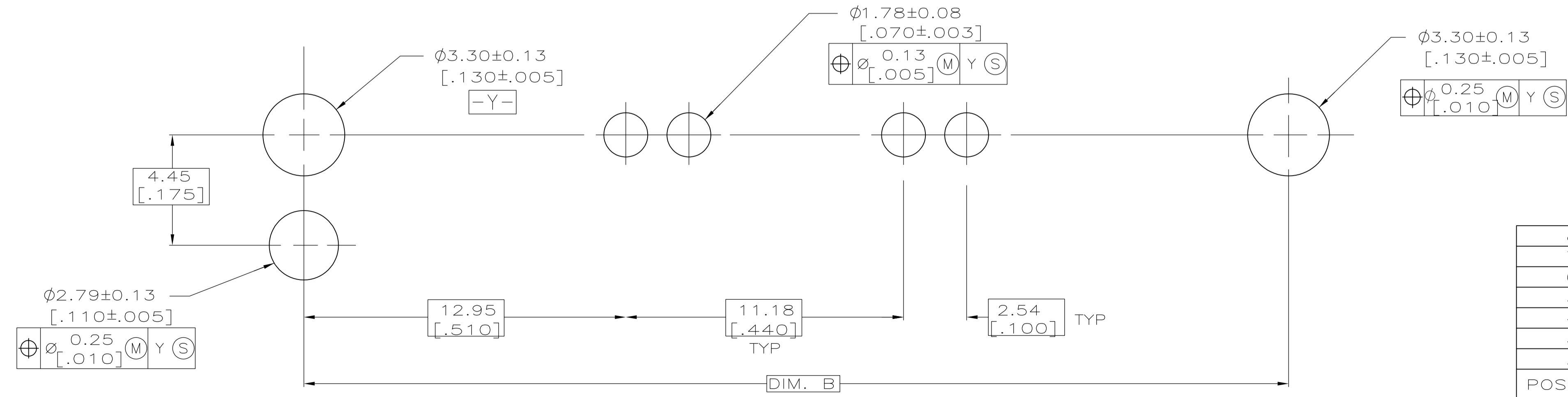
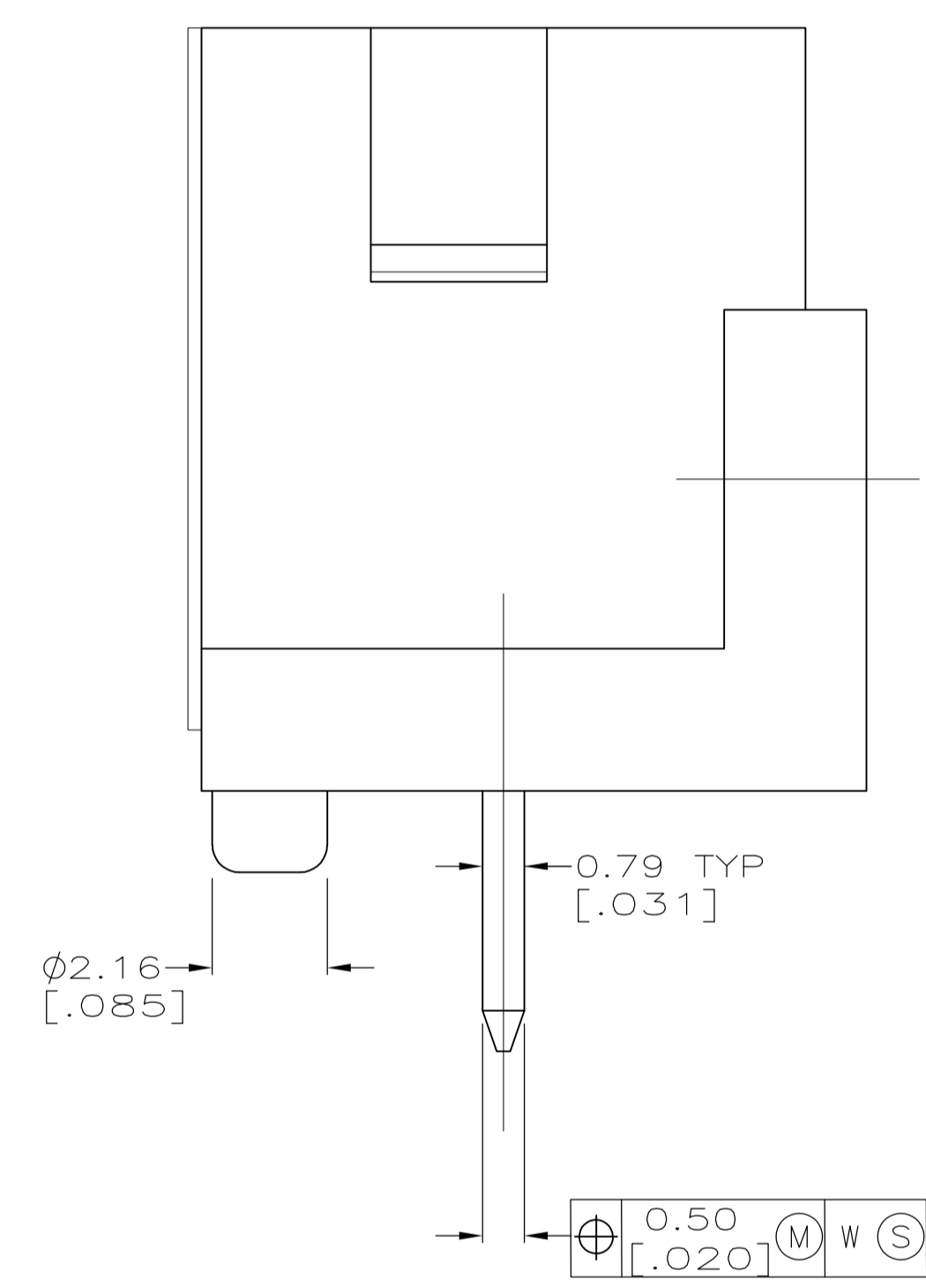
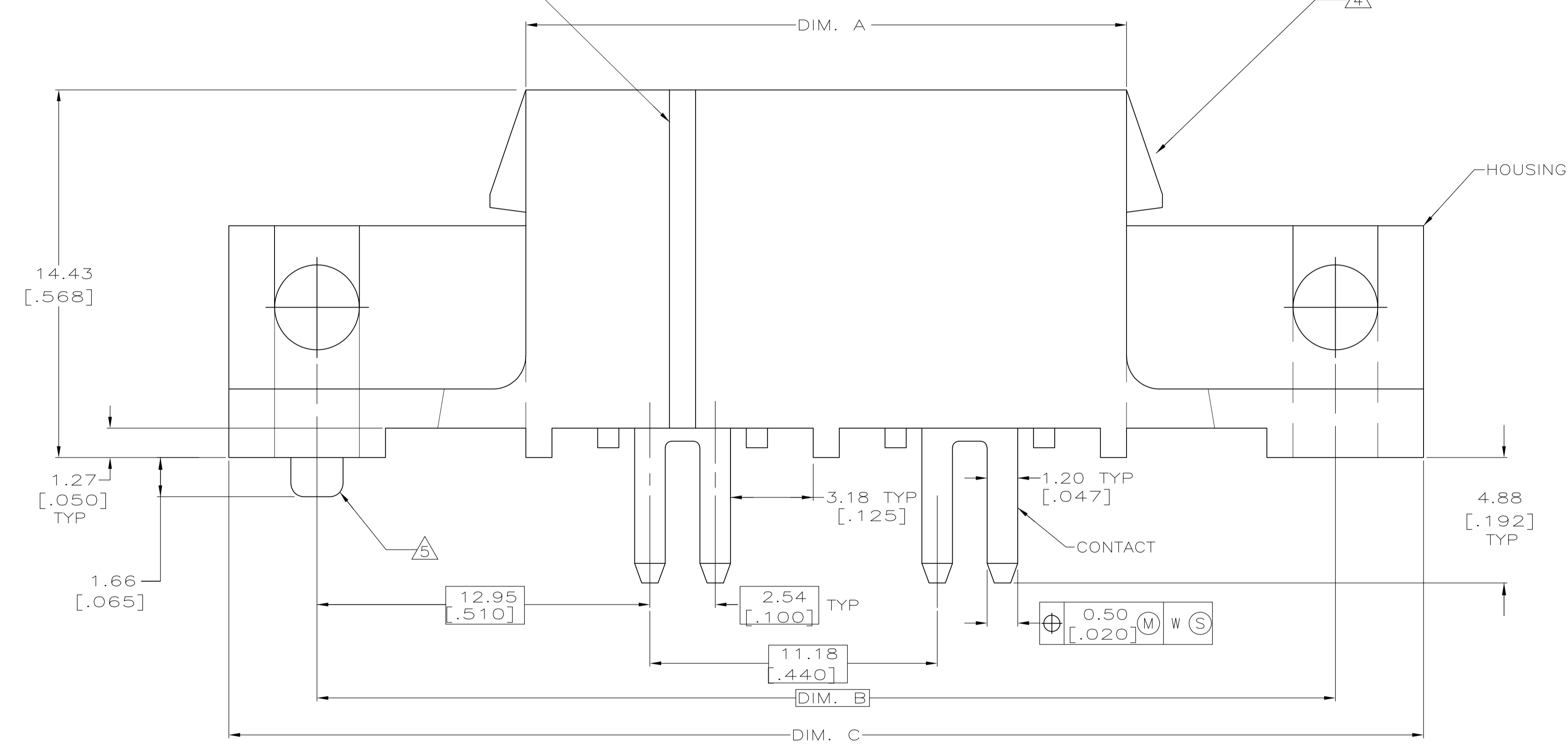


LOC		DIST		REVISIONS			
FT	60	REV	DATE	BY	CHK	APPV	
D1	REVISED PER ECO-11-004820		11MAR11	RK	HMR		



- ① MATERIAL: HOUSING—POLYPHTHALAMINE, BLACK, 94V-0.  
CONTACT— 2.54  $\mu\text{m}$  [.000100] MINIMUM TIN PLATED COPPER.
- ② ALL DIMENSIONS ARE MAXIMUM UNLESS OTHERWISE SPECIFIED.
- ③ POLARIZATION FEATURE TO MATING HOUSING.
- ④ POSITIVE LATCHING OF RECEPTACLE ASSEMBLY TO PLUG HOUSING.
- ⑤ POLARIZATION FEATURE TO PC BOARD.
- 6. THESE ASSEMBLIES ARE UL RECOGNIZED AND CSA CERTIFIED.
- △ INDICATES POSITION 1.



SUGGESTED PC BOARD HOLE LAYOUT

POSITION	DIM. C	DIM. B	DIM. A	PART NO
8	113.67 [4.475]	106.68 [4.200]	90.56 [3.565]	556881-8
7	102.49 [4.035]	95.50 [3.760]	79.38 [3.125]	-7
6	91.32 [3.595]	84.33 [3.320]	68.20 [2.685]	-6
5	80.14 [3.155]	73.15 [2.880]	57.03 [2.245]	-5
4	68.97 [2.715]	61.98 [2.440]	45.85 [1.805]	-4
3	57.79 [2.275]	50.80 [2.000]	34.68 [1.365]	-3
2	46.61 [1.835]	39.62 [1.560]	23.50 [.925]	556881-2

THIS DRAWING IS A CONTROLLED DOCUMENT.

DIMENSIONS: mm [INCHES]	TOLERANCES UNLESS OTHERWISE SPECIFIED:	DIN D. STRAUSSER 5-30-91	APPROVED: M. MILLER 8-26-91	NAME: RECEPTACLE ASSEMBLY, TM
0 PLC ± -	1 PLC ± -	2 PLC ± -	3 PLC ± -	4 PLC ± -
5 ANGLES ± -	FINISH: -	SIZE: A1	CAGE CODE: 00779	DRAWING NO: 556881
MATERIAL: △	FINISH: △	WEIGHT: -	SCALE: 8:1	SHEET 1 OF 1

CUSTOMER DRAWING