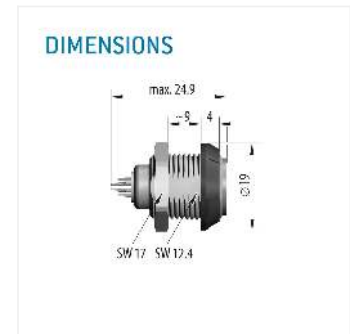
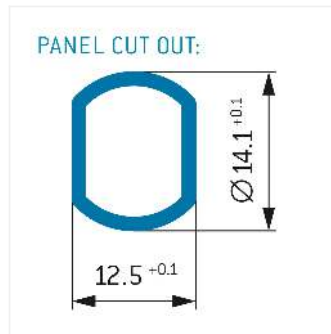
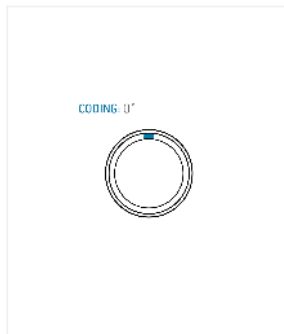


General information

Part number	G51M07-P04NJH0-0020
Termination	crimp
Size	1
Locking principle	break, push
Coding	0 key



Contact insert description

Number of contacts	4
Contact type	sockets
Contact diameter	09mm
Insulator material	peek
Wire cross section	20-24 awg
Termination	crimp

reverse_gender_on_request

Technical information

Max. creepage and air clearance distance	09 mm	
Nominal current single contact	10 a	iec_60512_5_2
Nominal current insert	10 A	vde_0298_4
Test voltage	16 kv_dc	sae_13441

safety_text

Mechanical and environmental data

Degree of protection*	ip50
Operating temperature	50_120_c
Mating cycles	5000

mated unmated

Insulator materials MEDI-SNAP®

psu_peek

Material and surface treatments

Housing	psu_gray
Color option	red
Contact	cu_alloy_gold

safety_text_2
ul_text
illustrative_text