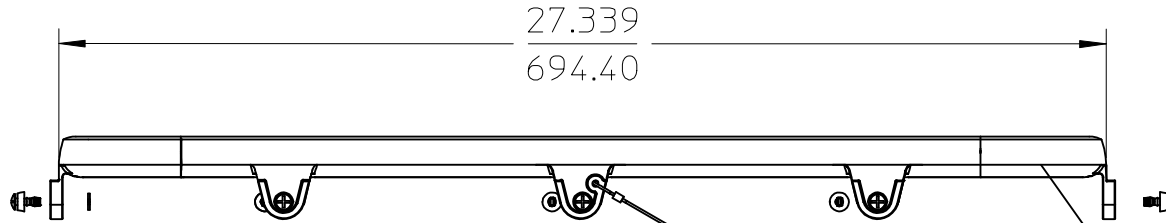
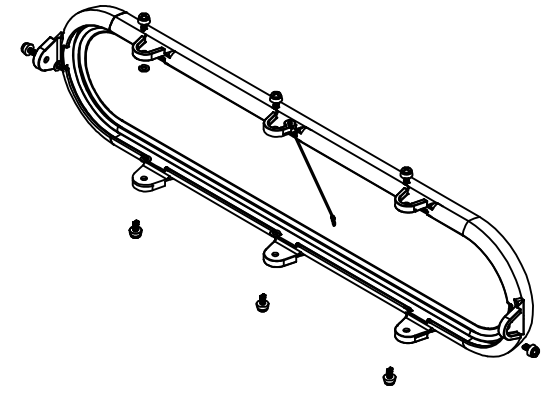


LENS/GASKET ASSEMBLY INCLUDES:

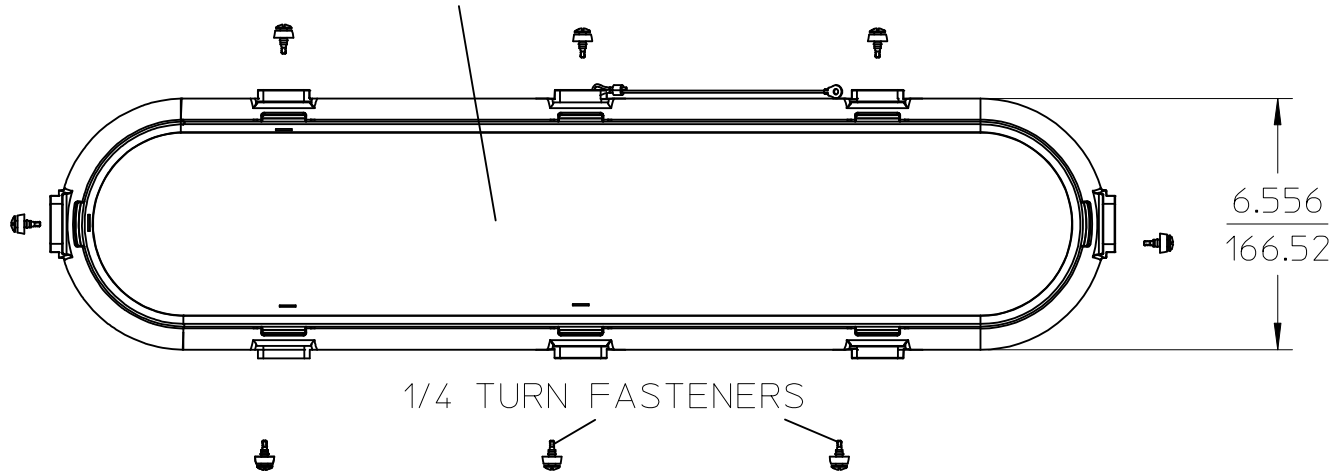
- 1 CLEAR LENS
- 1 RED SILICONE LENS GASKET
- 1 LANYARD HANGING ASSEMBLY
- 8 1/4 TURN FASTENER ASSEMBLIES



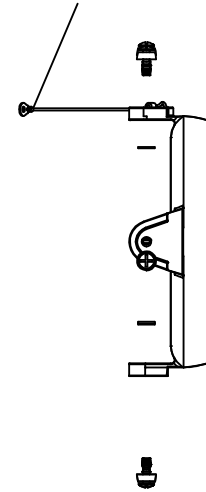
CLEAR LENS

LENS GASKET

LANYARD ASSEMBLY



1/4 TURN FASTENERS



| | |
|---|-------------|
| REPLACE LENS ASSY EC NO: WNA2009-0494 DRWN:MKOCHANSKI 2009/02/05 CHKD:DTITUS APPR:DTITUS 2009/02/06 | DESCRIPTION |
| | 1 |
| | REV |
| | |

| |
|--|
| QUALITY SYMBOLS |
| $\blacktriangledown = 0$ $\nabla = 0$ |

| | | |
|--|-----------|-----------|
| GENERAL TOLERANCES (UNLESS SPECIFIED) | | |
| | mm | INCH |
| 4 PLACES | \pm --- | \pm --- |
| 3 PLACES | \pm --- | \pm --- |
| 2 PLACES | \pm --- | \pm --- |
| 1 PLACE | \pm --- | \pm --- |
| ANGULAR $\pm 1/2^\circ$ | | |
| DRAFT WHERE APPLICABLE MUST REMAIN WITHIN DIMENSIONS | | |

| | |
|-----------------|------------|
| DIMENSION STYLE | |
| IN/MM | |
| DRAWN BY | DATE |
| MRK | 2009/02/05 |
| CHECKED BY | DATE |
| DTITUS | 2009/02/05 |
| APPROVED BY | DATE |
| MATERIAL NO. | |
| 1301890009 | |
| SIZE | |
| A | |

| | | |
|---|---------------|------------------------|
| SCALE | DESIGN UNITS | THIRD ANGLE PROJECTION |
| 1:10 | INCH | |
| TITLE | | |
| ZONE 2 REPLACEMENT LENS/GASKET ASSY | | |
| MOLEX INCORPORATED | | |
| MATERIAL NO. | DOCUMENT NO. | SHEET NO. |
| 1301890009 | SD-130189-001 | 1 OF 1 |
| THIS DRAWING CONTAINS INFORMATION THAT IS PROPRIETARY TO MOLEX INCORPORATED AND SHOULD NOT BE USED WITHOUT WRITTEN PERMISSION | | |