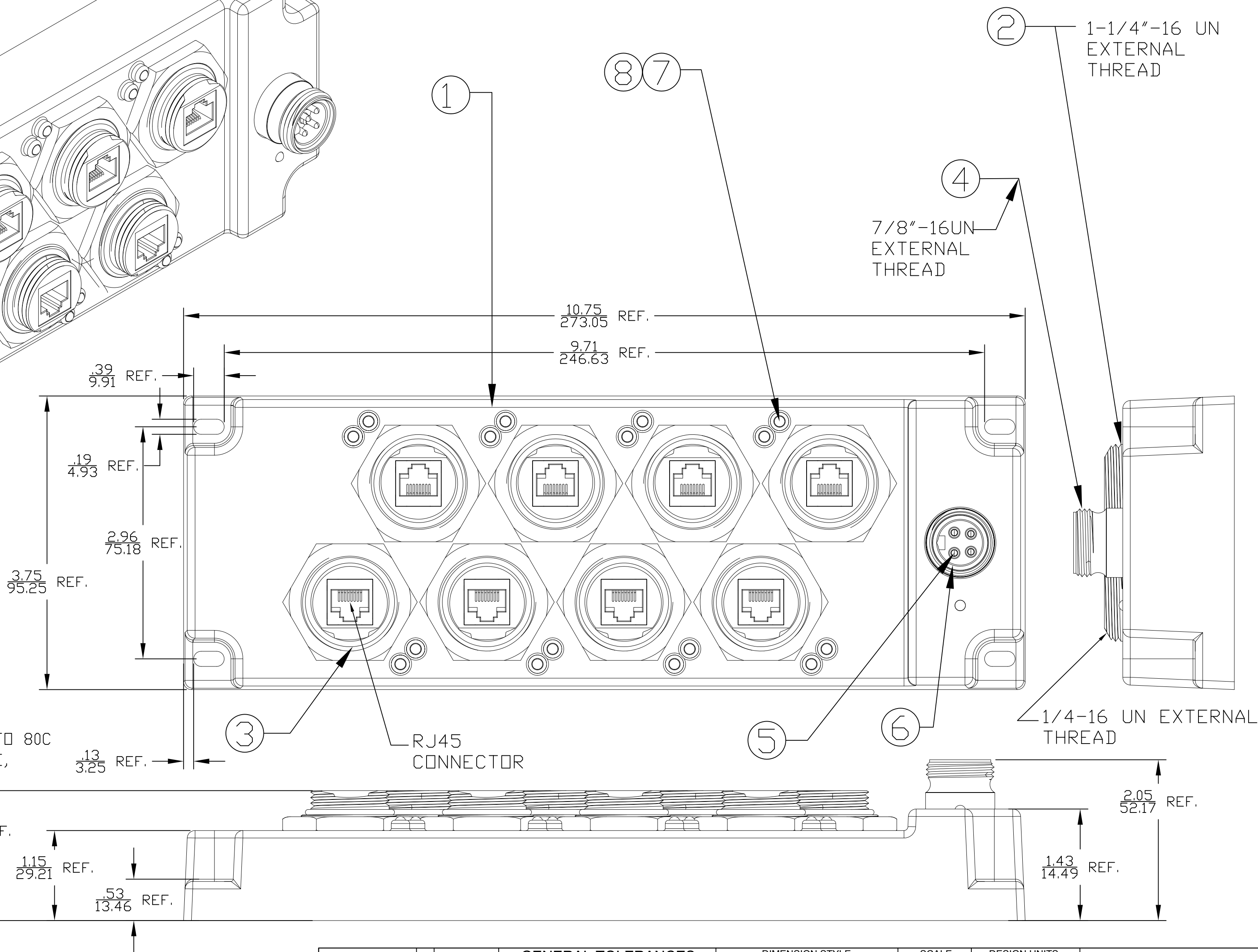
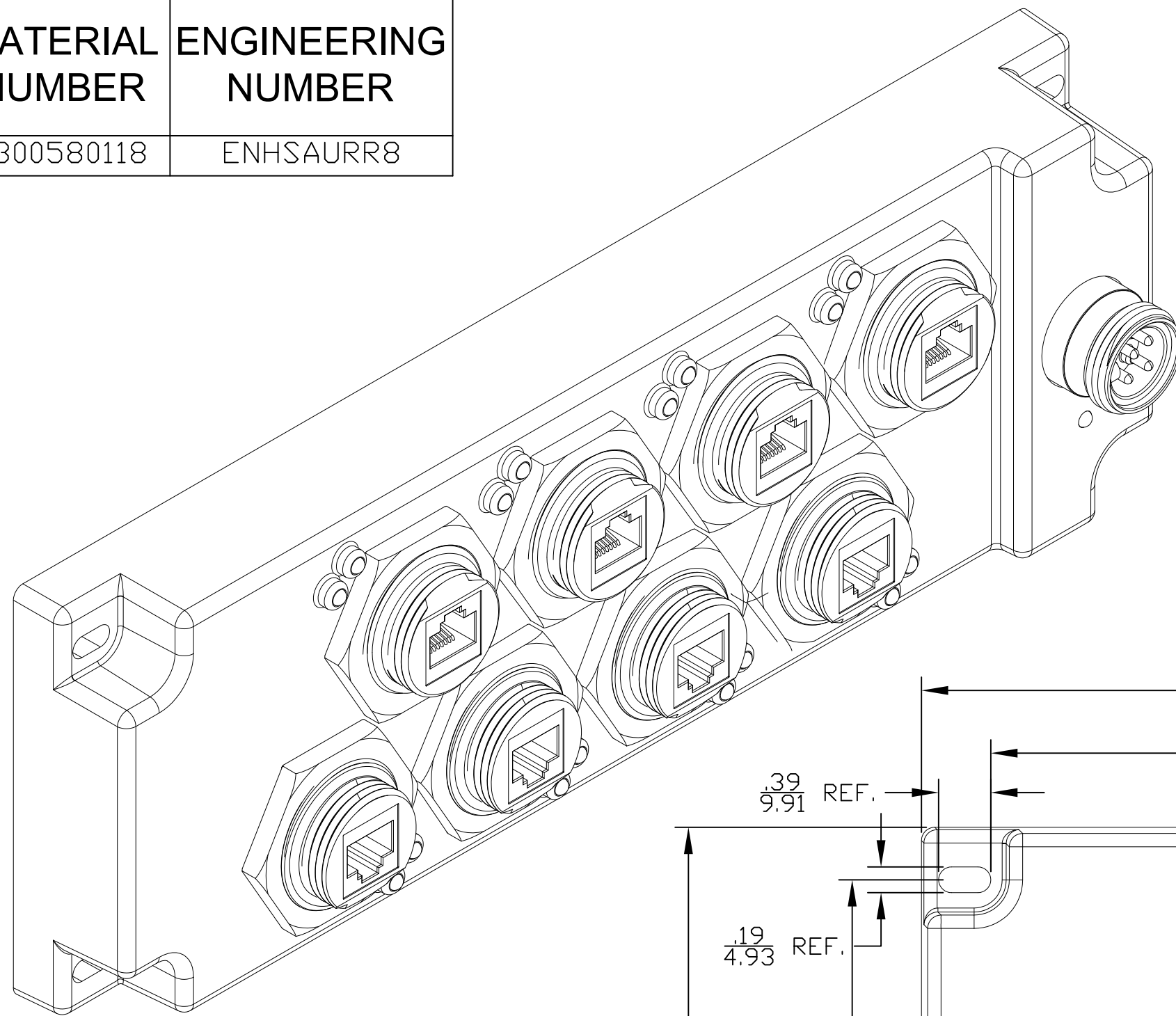


MATERIAL NUMBER    ENGINEERING NUMBER

1300580118    ENHSAURR8



NOTES:

- 1) MATERIAL: SEE TABLE
- 2) FINISHES: SEE TABLE
- 3) ELECTRICAL DATA:  
REQUIRED POWER: 10-30V AC/DC
- 4) ENVIRONMENTAL:  
PROTECTION IP67  
OPERATING TEMPERATURE RANGE: -40C TO 80C
- 5) LABEL IS MARKED WITH P/N, DATE CODE,

ITEM	QTY.	DESCRIPTION	MATERIAL	FINISH
8	8	SHORT LENS	POLYCARBONATE LEXAN 101-112	CLEAR
7	8	LONG LENS	POLYCARBONATE LEXAN 141	CLEAR
6	1	INSERT	PVC	YELLOW
5	4	PIN CONTACT	COPPER ALLOY	GOLD PLATED
4	1	MINI RECEPTACLE SHELL	BRASS ALLOY	BRIGHT NICKEL
3	8	O-RING	VITON	BROWN
2	1	RJLNXX RECEPTACLE HOUSING	PPA	BLACK
1	1	HOUSING	GE VALDX	BLACK

RELEASE EC NO: WNA2010-0682 DRWN: BWOODMAN 4/22/10 CH'KD: LHARTMAN APPR: JFMURPHY 2010/05/25	QUALITY SYMBOL	DESCRIPTION
	▽=0	
	∇=0	
	REV	

GENERAL TOLERANCES (UNLESS SPECIFIED)	
	mm    INCH
4 PLACES	±---    ±---
3 PLACES	±---    ±.005
2 PLACES	±0.13    ±.010
1 PLACE	±0.25    ±.020
ANGULAR ±1/2°	
DRAFT WHERE APPLICABLE MUST REMAIN WITHIN DIMENSIONS	

DIMENSION STYLE		SCALE	DESIGN UNITS	THIRD ANGLE PROJECTION
----		1:1	INCH	
DRAWN BY	DATE	TITLE		
BWOODMAN	2010/01/22	MACHINE MOUNT SWITCH 8-PORT RJ45 LNXX		
CHECKED BY	DATE	MOLEX INCORPORATED		
BWOODMAN	2010/01/22	MATERIAL NO.    DOCUMENT NO.    SHEET NO.		
JFMURPHY	2010/01/22	SEE CHART	SD-130058-004	1 OF 1
SIZE	THIS DRAWING CONTAINS INFORMATION THAT IS PROPRIETARY TO MOLEX INCORPORATED AND SHOULD NOT BE USED WITHOUT WRITTEN PERMISSION			
C				