



Mechanically held lighting contactor, Contactor amp rating 60Amp 0NC \_ 6NO poles, 208VAC 60HZ coil, Non-combination type, Enclosure NEMA type 12, Dust/drip proof for indoors

|  |   |
|--|---|
| product brand name   | Class CLM                               |
| design of the product  | Magnetically latched lighting contactor |
| special product feature  | Energy efficient; Quiet operation       |
| <b>General technical data</b>  |   |
| weight [lb]  | 20 lb                                   |
| Height x Width x Depth [in]  | 16 × 13 × 6 in                          |
| touch protection against electrical shock                                | NA for enclosed products                |
| installation altitude [ft] at height above sea level maximum             | 6560 ft                                 |
| country of origin  | USA                                     |
| <b>Contactors</b>  |   |
| size of contactor  | 60 Amp                                  |
| number of NO contacts for main contacts                                  | 6                                       |
| number of NC contacts for main contacts                                  | 0                                       |
| operating voltage for main current circuit at AC at 60 Hz maximum        | 600 V                                   |
| mechanical service life (operating cycles) of the main contacts typical  | 10000000                                |
| contact rating of the main contacts of lighting contactor                |   |
| • at tungsten (1 pole per 1 phase) rated value                           | 60A @277V 1p 1ph                        |
| • at tungsten (2 poles per 1 phase) rated value                          | 60A @480V 2p 1ph                        |
| • at tungsten (3 poles per 3 phases) rated value                         | 60A @480V 3p 3ph                        |
| • at ballast (1 pole per 1 phase) rated value                            | 60A @347V 1p 1ph                        |
| • at ballast (2 poles per 1 phase) rated value                           | 60A @600V 2p 1ph                        |
| • at ballast (3 poles per 3 phases) rated value                          | 60A @600V 3p 3ph                        |
| • at resistive load (1 pole per 1 phase) rated value                     | 60A @347V 1p 1ph                        |
| • at resistive load (2 poles per 1 phase) rated value                    | 60A @600V 2p 1ph                        |
| • at resistive load (3 poles per 3 phases) rated value                   | 60A @600V 3p 3ph                        |
| <b>Auxiliary contact</b>   |   |
| number of NC contacts for auxiliary contacts                             | 0                                       |
| number of NO contacts for auxiliary contacts                             | 0                                       |
| number of total auxiliary contacts maximum                               | 4                                       |
| contact rating of auxiliary contacts of contactor according to UL        | NA                                      |
| <b>Coil</b>  |   |
| type of voltage of the control supply voltage                            | AC                                      |
| control supply voltage   |   |
| • at AC at 60 Hz rated value   | 208 V                                   |
| apparent pick-up power of magnet coil at AC                              | 820 VA                                  |
| apparent holding power of magnet coil at AC                              | 80 VA                                   |
| operating range factor control supply voltage rated value of magnet coil | 0.85 ... 1.1                            |
| <b>Enclosure</b>   |   |

|  |   |
|--|---|
| degree of protection NEMA rating of the enclosure  | NEMA 12 enclosure                       |
| design of the housing  | dustproof and drip-proof for indoor use |
| <b>Mounting/wiring</b>   |   |
| mounting position  | Vertical                                |
| fastening method   | Surface mounting and installation       |
| type of electrical connection for supply voltage line-side   | Box lug                                 |
| tightening torque [lbf-in] for supply  | 45 ... 50 lbf-in                        |
| type of connectable conductor cross-sections at line-side for AWG cables single or multi-stranded                  | 1x (14 ... 4 AWG)                       |
| temperature of the conductor for supply maximum permissible  | 75 °C                                   |
| material of the conductor for supply   | AL or CU                                |
| type of electrical connection for load-side outgoing feeder  | Box lug                                 |
| tightening torque [lbf-in] for load-side outgoing feeder   | 45 ... 50 lbf-in                        |
| type of connectable conductor cross-sections for AWG cables for load-side outgoing feeder single or multi-stranded | 1x (14 ... 4 AWG)                       |
| temperature of the conductor for load-side outgoing feeder maximum permissible                                     | 75 °C                                   |
| material of the conductor for load-side outgoing feeder  | AL or CU                                |
| type of electrical connection of magnet coil   | Screw-type terminals                    |
| tightening torque [lbf-in] at magnet coil  | 8 ... 12 lbf-in                         |
| type of connectable conductor cross-sections of magnet coil for AWG cables single or multi-stranded                | 2x (16 ... 12 AWG)                      |
| temperature of the conductor at magnet coil maximum permissible  | 75 °C                                   |
| material of the conductor at magnet coil   | CU                                      |
| <b>Short-circuit current rating</b>  |   |
| design of the fuse link for short-circuit protection of the main circuit required                                  | none                                    |
| design of the short-circuit trip   | Thermal magnetic circuit breaker        |
| maximum short-circuit current breaking capacity (Icu)  |   |
| • at 240 V   | 5 kA                                    |
| • at 480 V   | 5 kA                                    |
| • at 600 V   | 5 kA                                    |
| certificate of suitability   | NEMA ICS 2; UL 508A                     |

#### Further information

**Industrial Controls - Product Overview (Catalogs, Brochures,...)**

[www.usa.siemens.com/iccatalog](http://www.usa.siemens.com/iccatalog)

**Industry Mall (Online ordering system)**

<https://mall.industry.siemens.com/mall/en/us/Catalog/product?mlfb=US2:CLM2D06208>

**Service&Support (Manuals, Certificates, Characteristics, FAQs,...)**

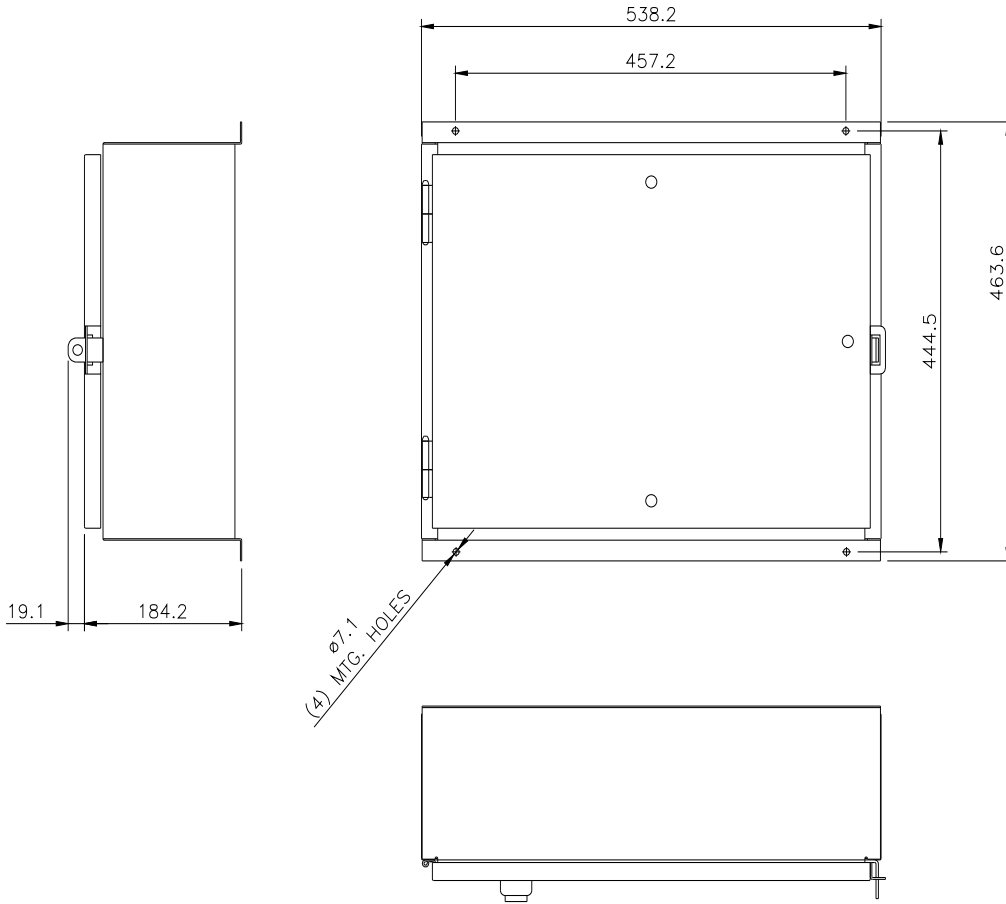
<https://support.industry.siemens.com/cs/US/en/ps/US2:CLM2D06208>

**Image database (product images, 2D dimension drawings, 3D models, device circuit diagrams, EPLAN macros, ...)**

[http://www.automation.siemens.com/bilddb/cax\\_de.aspx?mlfb=US2:CLM2D06208&lang=en](http://www.automation.siemens.com/bilddb/cax_de.aspx?mlfb=US2:CLM2D06208&lang=en)

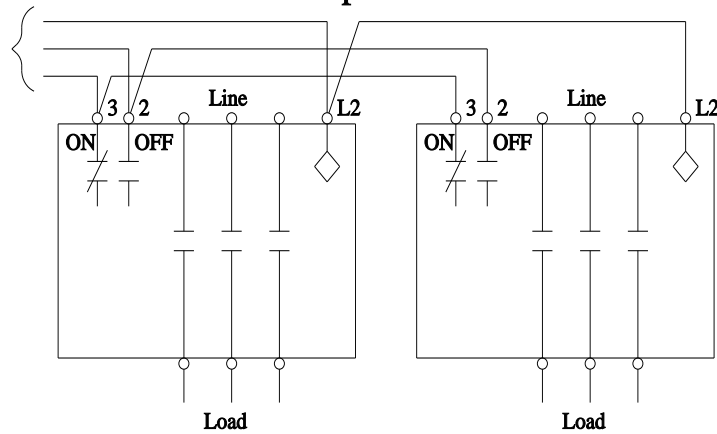
**Certificates/approvals**

<https://support.industry.siemens.com/cs/US/en/ps/US2:CLM2D06208/certificate>



### Wiring Diagram Class CLM 30-60 Amp 6 Pole

To Control  
Devices



Optional auxiliary contacts are not shown.

E87010-A0410-T009-A1-CLM-2

