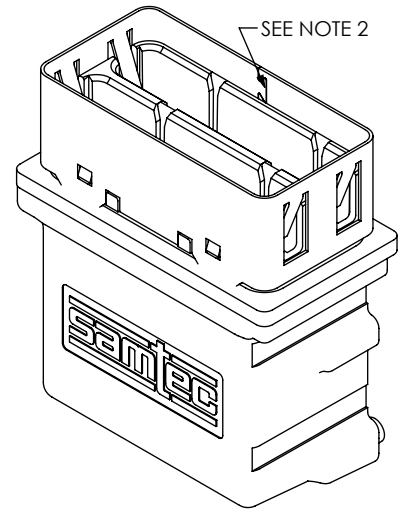
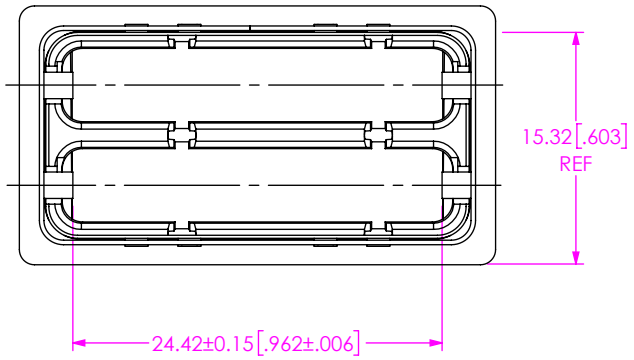


DESIGNED & DIMENSIONED
IN MILLIMETERS [INCHES]

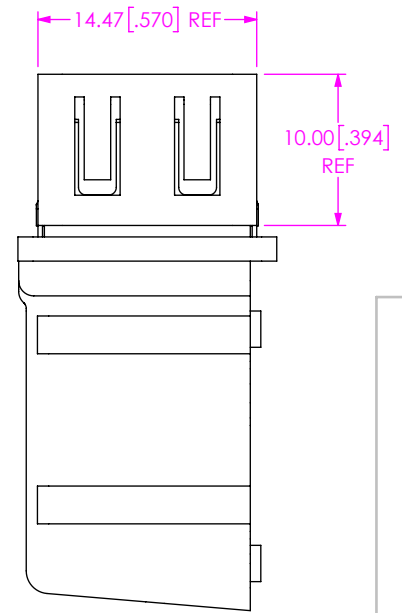
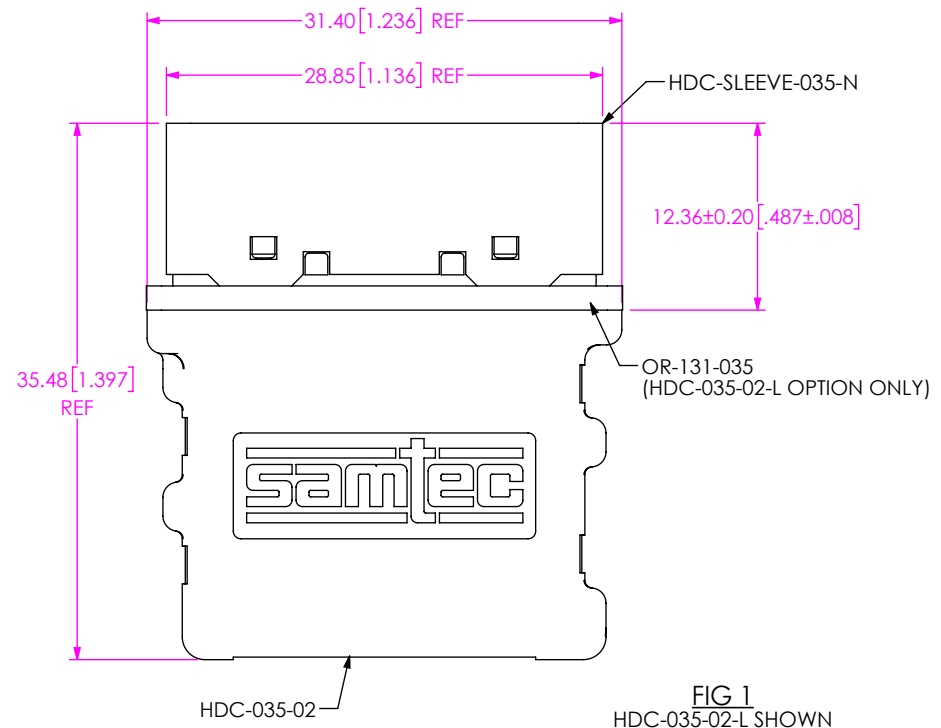
DO NOT
SCALE FROM
THIS PRINT



HDC-035-XX-L

No. OF POSITIONS
-035

OPTIONS:
-01 NO GASKET
-02 EMI GASKET



PACKAGING VIEW

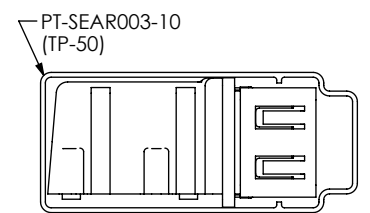


FIG 1
HDC-035-02-L SHOWN

NOTES:

1. REPRESENTS A CRITICAL DIMENSION.
2. DOVETAIL JOINT MUST BE LOCATED ON BOTTOM SIDE OF HDC AS SHOWN.

UNLESS OTHERWISE SPECIFIED, DIMENSIONS ARE IN MILLIMETERS. TOLERANCES ARE:
 DECIMALS ANGLES
 X.X: ±0.3 [01] 2°
 X.XX: ±0.13 [005]
 X.XXX: ±0.051 [0020]

PROPRIETARY NOTE
 THIS DOCUMENT CONTAINS CONFIDENTIAL AND PROPRIETARY INFORMATION AND ALL DESIGN, MANUFACTURING, REPRODUCTION, USE, PATENT RIGHTS AND SALES RIGHTS ARE EXPRESSLY RESERVED BY SAMTEC, INC. THIS DOCUMENT SHALL NOT BE DISCLOSED, IN WHOLE OR PART, TO ANY UNAUTHORIZED PERSON OR ENTITY NOR REPRODUCED, TRANSFERRED OR INCORPORATED IN ANY OTHER PROJECT IN ANY MANNER WITHOUT THE EXPRESS WRITTEN CONSENT OF SAMTEC, INC.

MATERIAL: DO NOT SCALE DRAWING SHEET SCALE: 2:1
 CAGE: ZINC ALLOY
 SHIELD: PHOS BRONZE



520 PARK EAST BLVD., NEW ALBANY, IN 47150
 PHONE: 812-944-6733 FAX: 812-948-5047
 e-Mail: info@SAMTEC.com code 53322

DESCRIPTION:
 0.635MM EDGE MOUNT PCB CAGE WITH LATCH SLEEVE
 DWG. NO.

HDC-035-XX-L

BY: JESSIE W 1/19/2015 SHEET 1 OF 1