

6

5

4

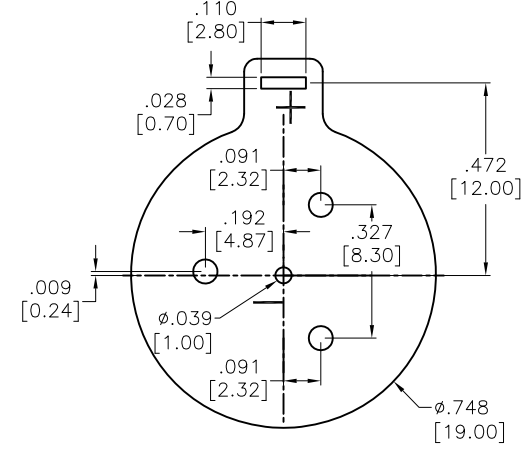
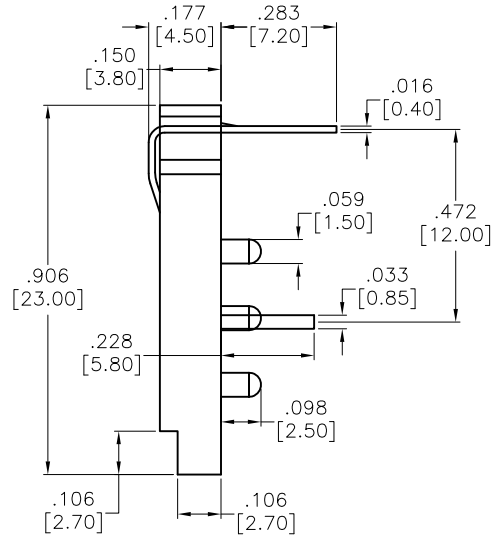
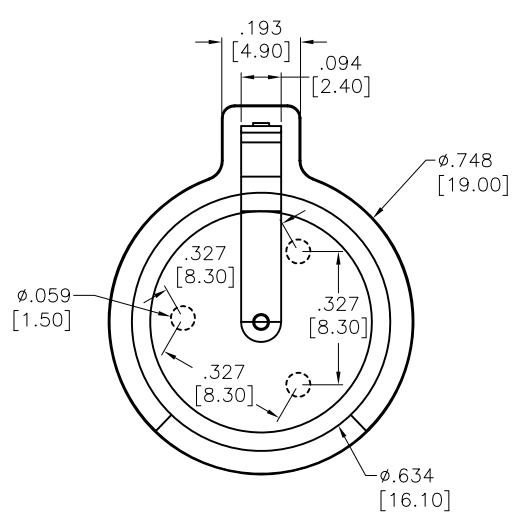
3

2

1

APPROVED: _____
DATE: _____ TITLE: _____

Rev	AWO #	Description	Date	Appr
-		RELEASED	12/1/17	



RECOMMENDED PCB LAYOUT

SPECIFICATIONS:
Material:
 Housing: PBT, rated UL94V-0
 Housing Color: Black
 Contact: Mn Steel, Brass, Nickel plated
 Plating:
 Electrical:
 Contact resistance: 30 Milliohms max
 Insulation resistance: 1,000 Megaohms min
 Dielectric Voltage: 500 VAC one sec level
 Temperature Rating:
 Operating temperature: -25°C to +85°C.
 Environmental:
 Lead free, RoHS compliant



UNLESS OTHERWISE SPECIFIED ALL DIMENSIONS ARE INCHES [MM] TOLERANCES: EXCEPT AS NOTED			
INCHES		HOLES	
.X	± .10	Ø.X	± .10
.XX	± .020	Ø.XX	± .015
.XXX	± .015	Ø.XXX	± .010
APPROVALS		DATE	
DRAWN	AY	12/1/17	
CHECKED	KC	12/1/17	
APPROVED			

ADAM TECH INTERCONNECTS
 909 Rahway Avenue,
 Union, NJ 07083
 Phone: 908-687-5000
 Fax: 908-687-5710

TITLE COIN CELL BATTERY HOLDER FOR CELL CR1620, DIP TYPE			
SIZE X	PART NO. BH-94A-1	REV. -	
REF: S00138C	SCALE: NTS	SHEET 1 OF 1	

6

5

4

3

2

1