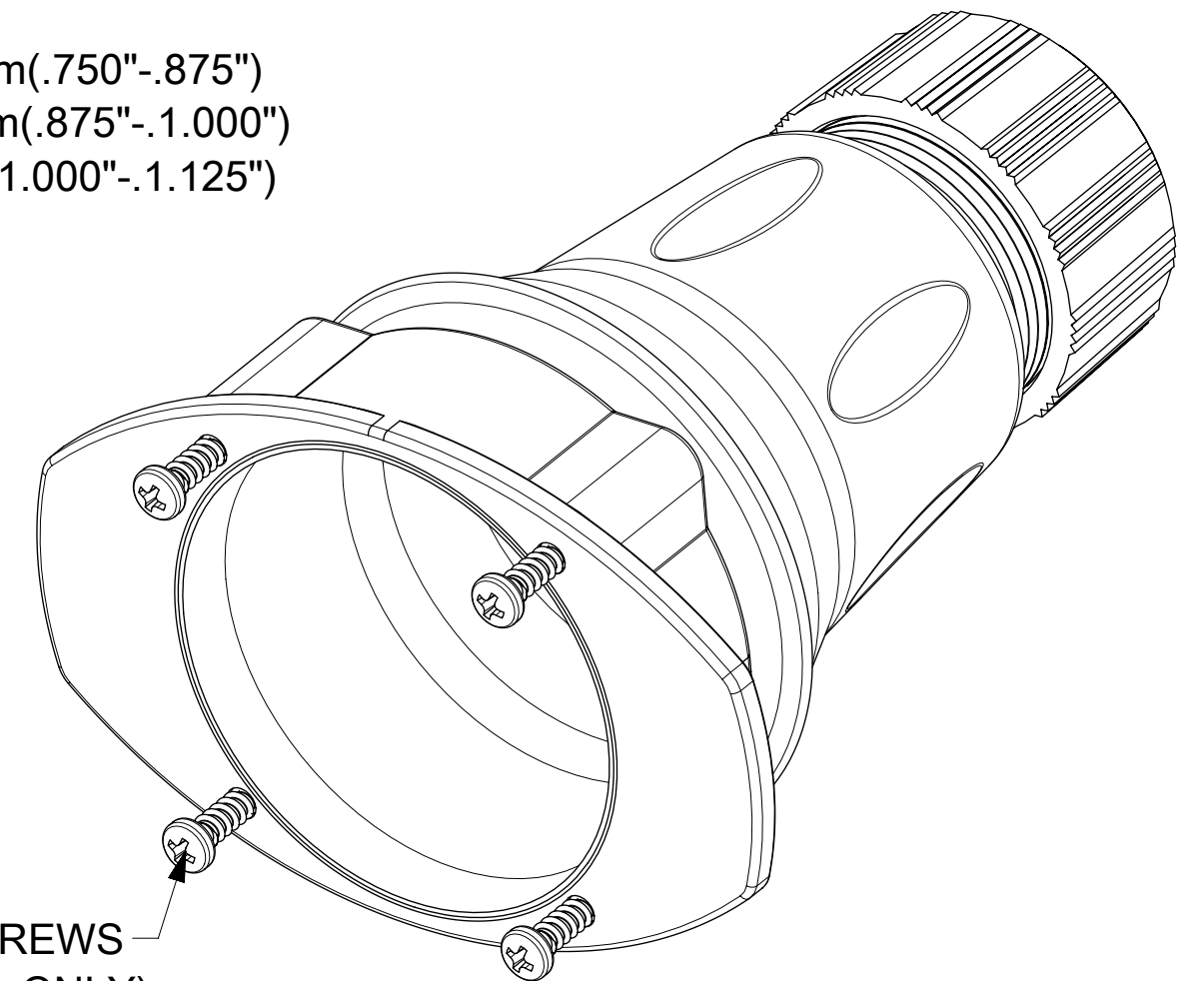
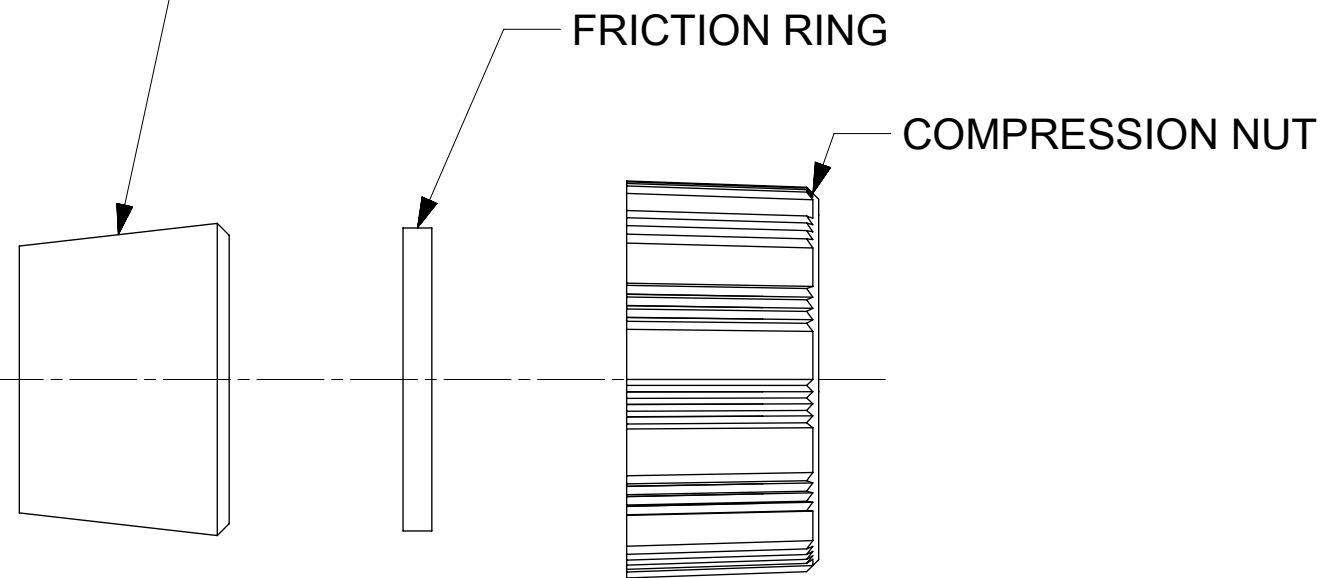
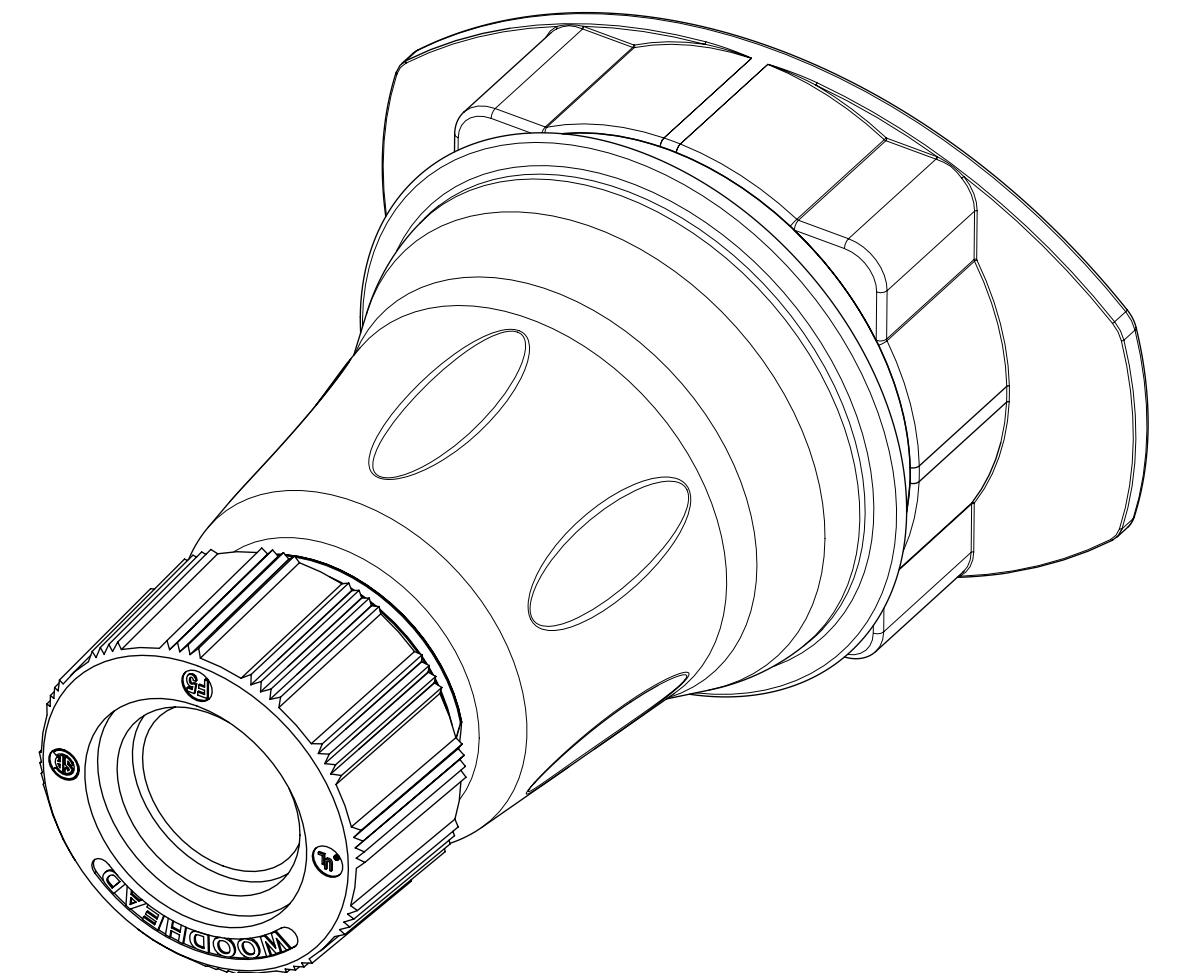
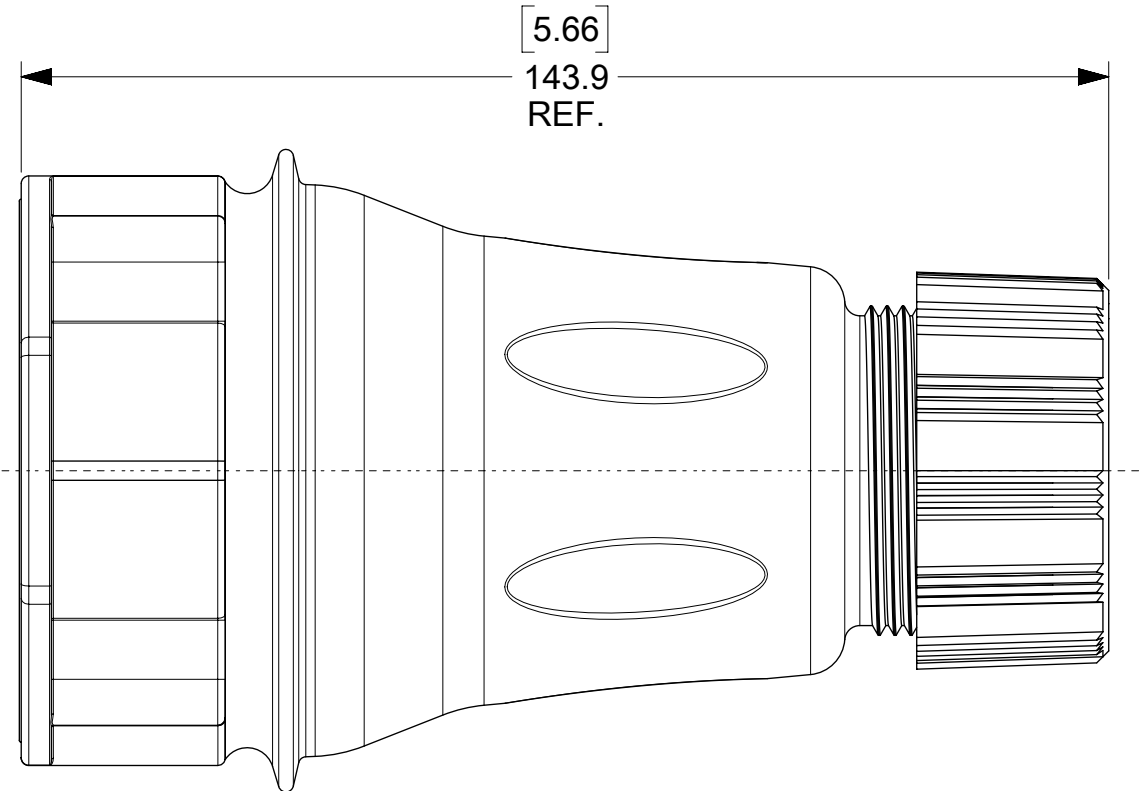
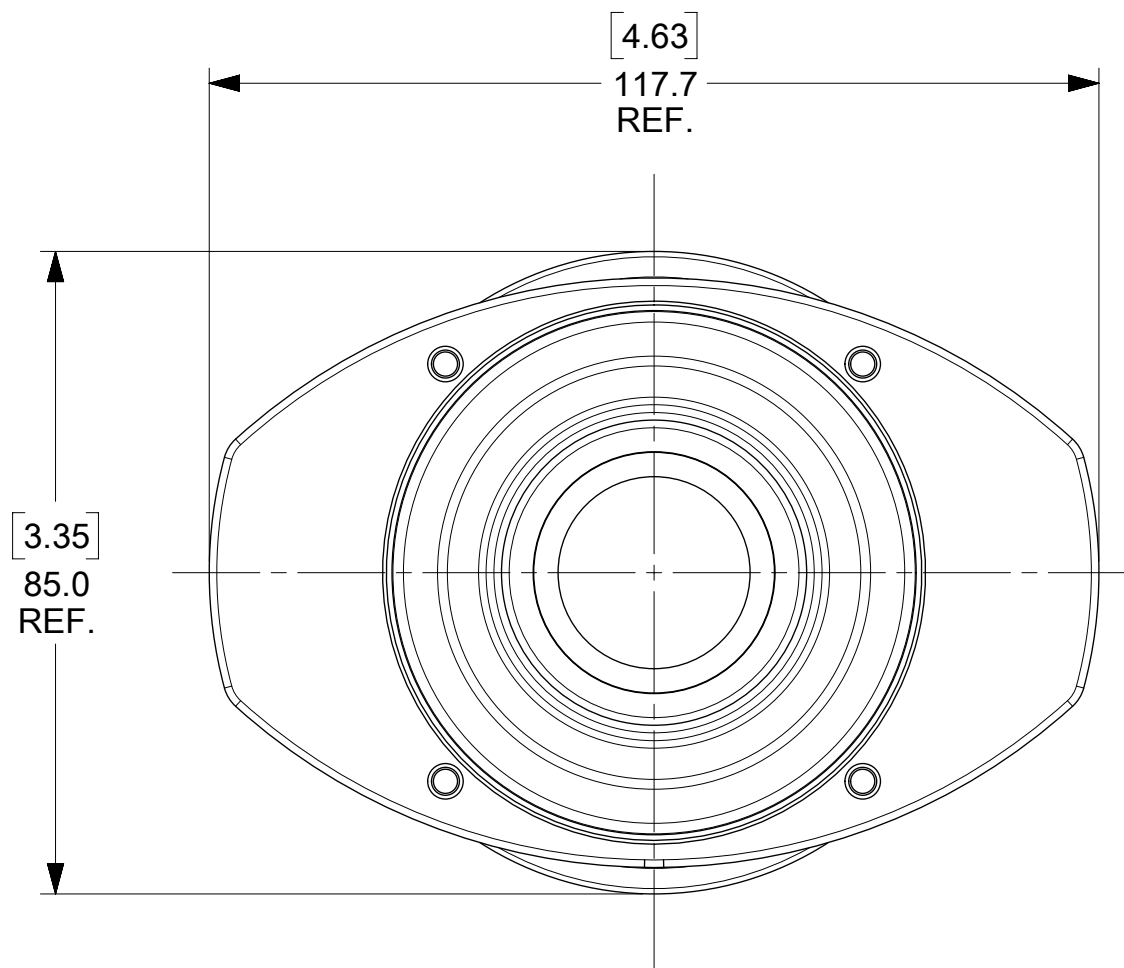


GROMMET
 1301800308, ORANGE, CABLE DIAMETER RANGE 19.05mm-22.25mm (.750"-.875")
 1301800309, YELLOW, CABLE DIAMETER RANGE 22.23mm-25.40mm (.875"-.1.000")
 1301800310, BLACK, CABLE DIAMETER RANGE 25.40mm-28.57mm (1.000"-.1.125")



SELF TAPPING SCREWS
 (SHOWN FOR REF. ONLY)



NOTES:

- MATERIAL:
 HANDLE - GREY PBT
 GROMMET - RUBBER
 FRICTION RING - NATURAL POLYETHYLENE
 COMPRESSION NUT - BLACK PBT
 SELF TAPPING SCREWS (TO ASSEMBLE TO DEVICE) - STAINLESS STEEL
- AMBIENT OPERATING TEMPERATURE: -25°C (-13°F) TO 60°C (140°F)
 (WITH MAX. 30°C RISE ABOVE AMBIENT)

THIS DRAWING CONTAINS INFORMATION THAT IS PROPRIETARY TO MOLEX ELECTRONIC TECHNOLOGIES, LLC AND SHOULD NOT BE USED WITHOUT WRITTEN PERMISSION									
DIMENSION UNITS		SCALE		CURRENT REV DESC: GENERAL MARKET RELEASE					
MM/INCH		1:1		molex 60A ARC ARREST MAX-LOC HANDLE W/DRAWPLAT PRODUCT CUSTOMER DRAWING					
GENERAL TOLERANCES (UNLESS SPECIFIED)									
	MM	INCH		EC NO: 674097 DRWN: MJANTELEZIO 2021/08/17 CHK'D: WLEUNG APPR: WLEUNG 2021/08/17					
4 PLACES	±	±		INITIAL REVISION:					
3 PLACES	±	±		DRWN: VBASUTHKARP 2017/09/06 APPR: JFMURPHY 2020/11/17					
2 PLACES	±	±		DOCUMENT NUMBER: 1122176001 DOC TYPE: PSD DOC PART: 000 REVISION: A2					
1 PLACE	±	±		MATERIAL NUMBER: 1122176001 CUSTOMER: GENERAL MARKET SHEET NUMBER: 1 OF 1					
0 PLACES	±	±		DRAFT WHERE APPLICABLE MUST REMAIN WITHIN DIMENSIONS THIRD ANGLE PROJECTION DRAWING: C-SIZE SERIES: 112217					

DOCUMENT STATUS	P1	RELEASE DATE	2021/08/17	21:15:14
-----------------	----	--------------	------------	----------