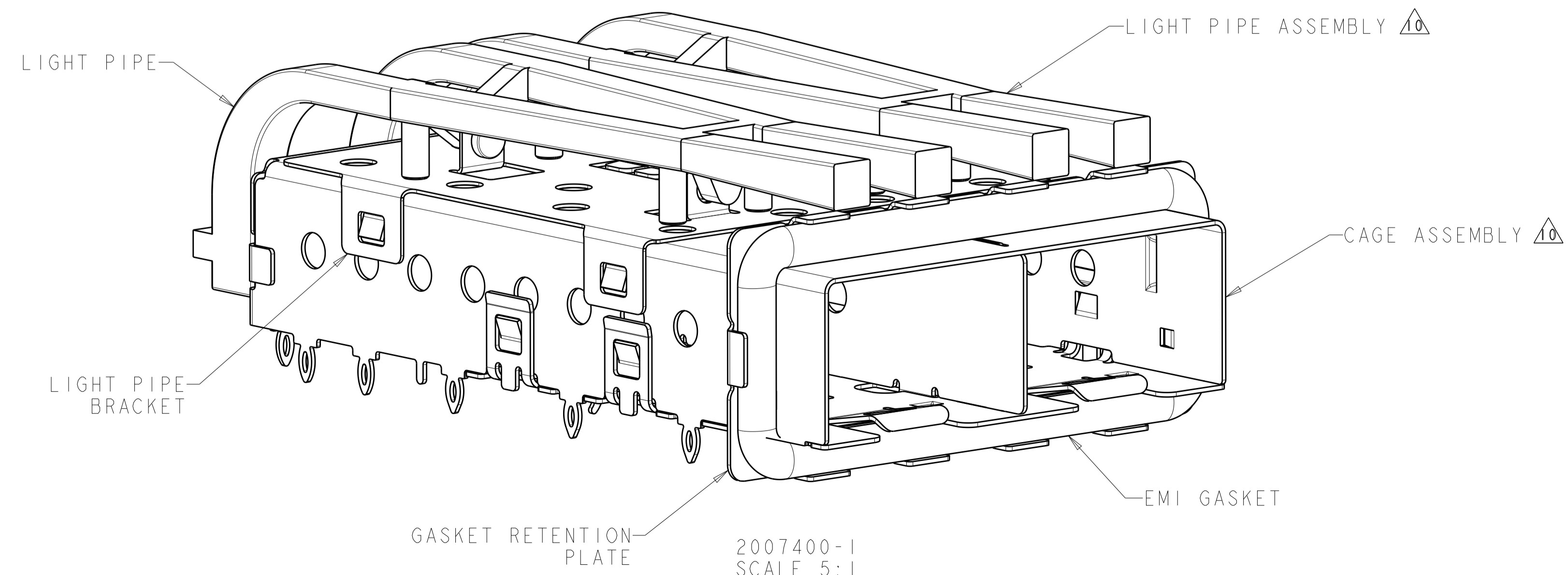
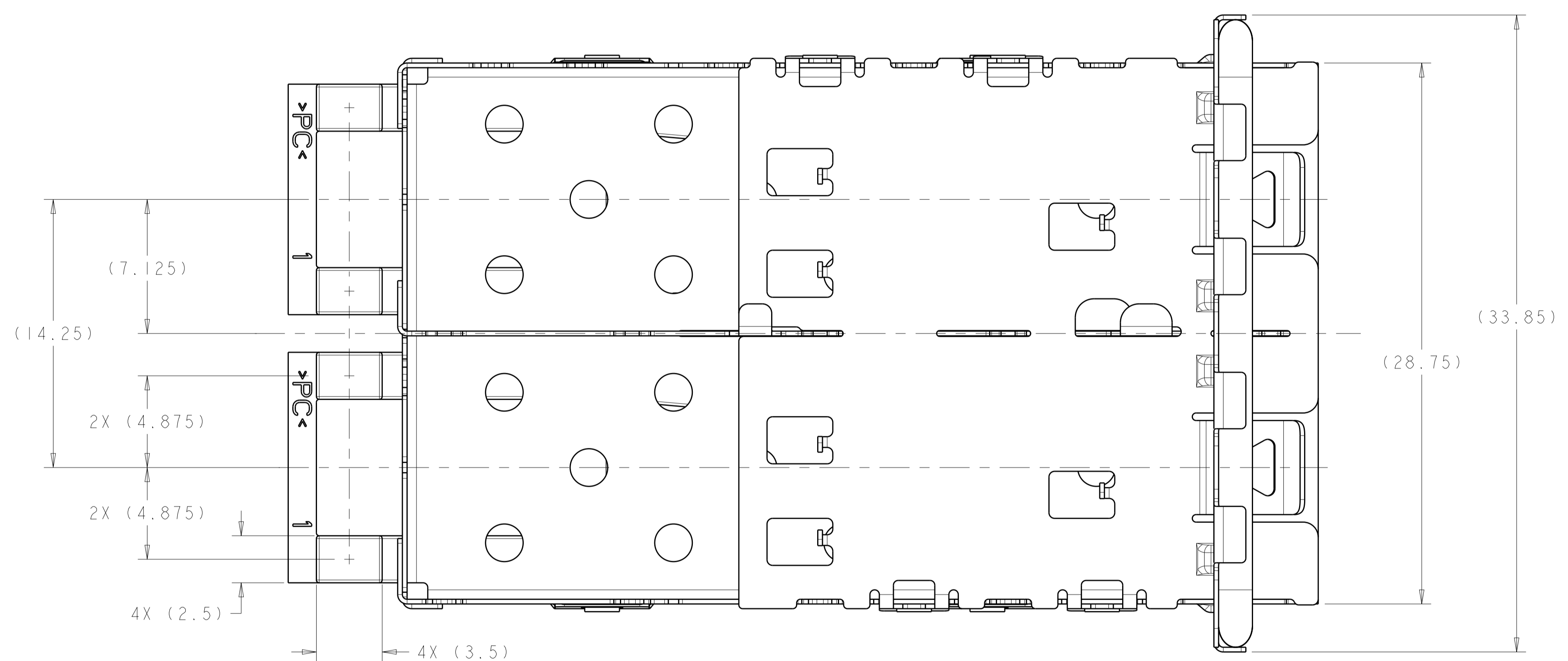
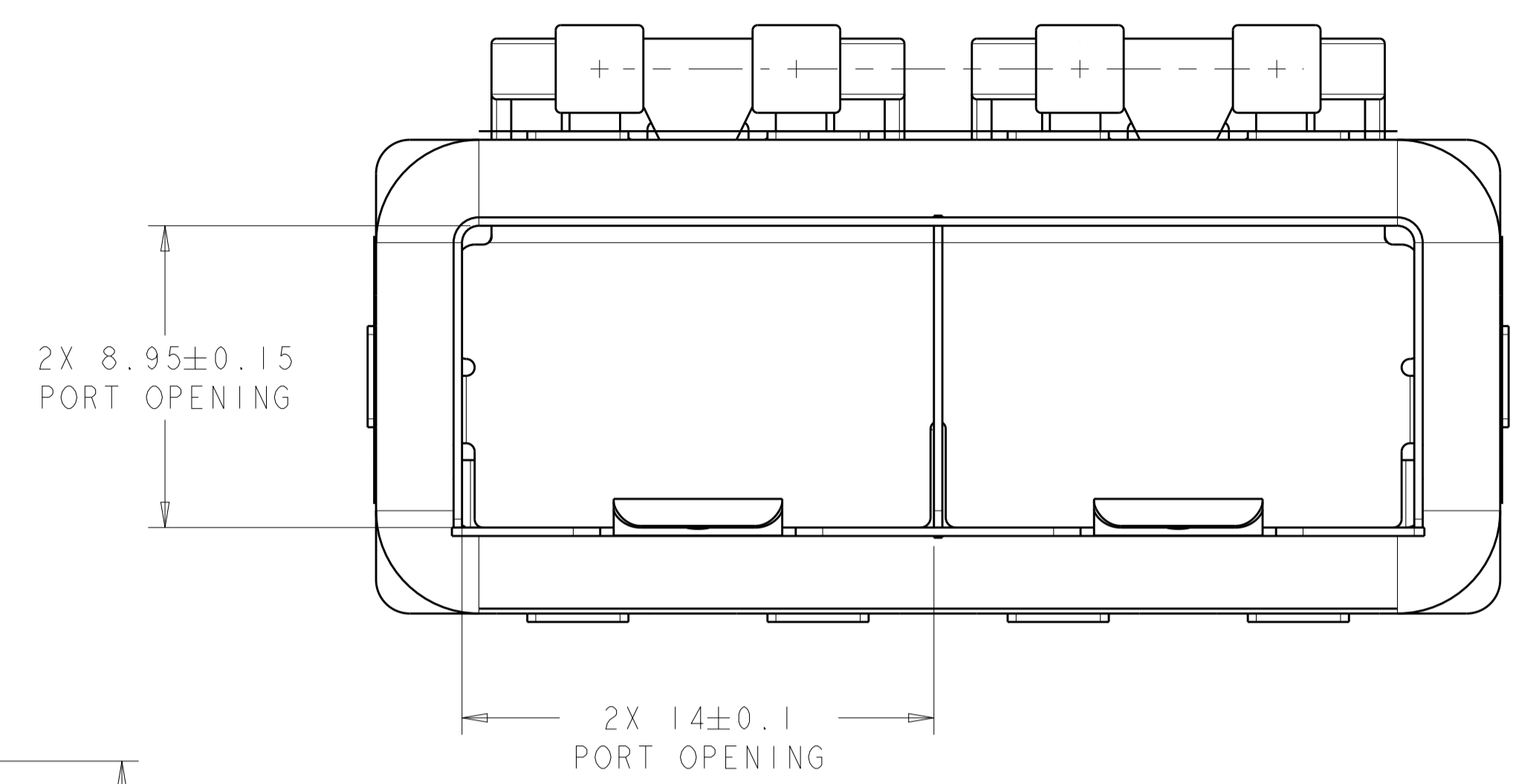
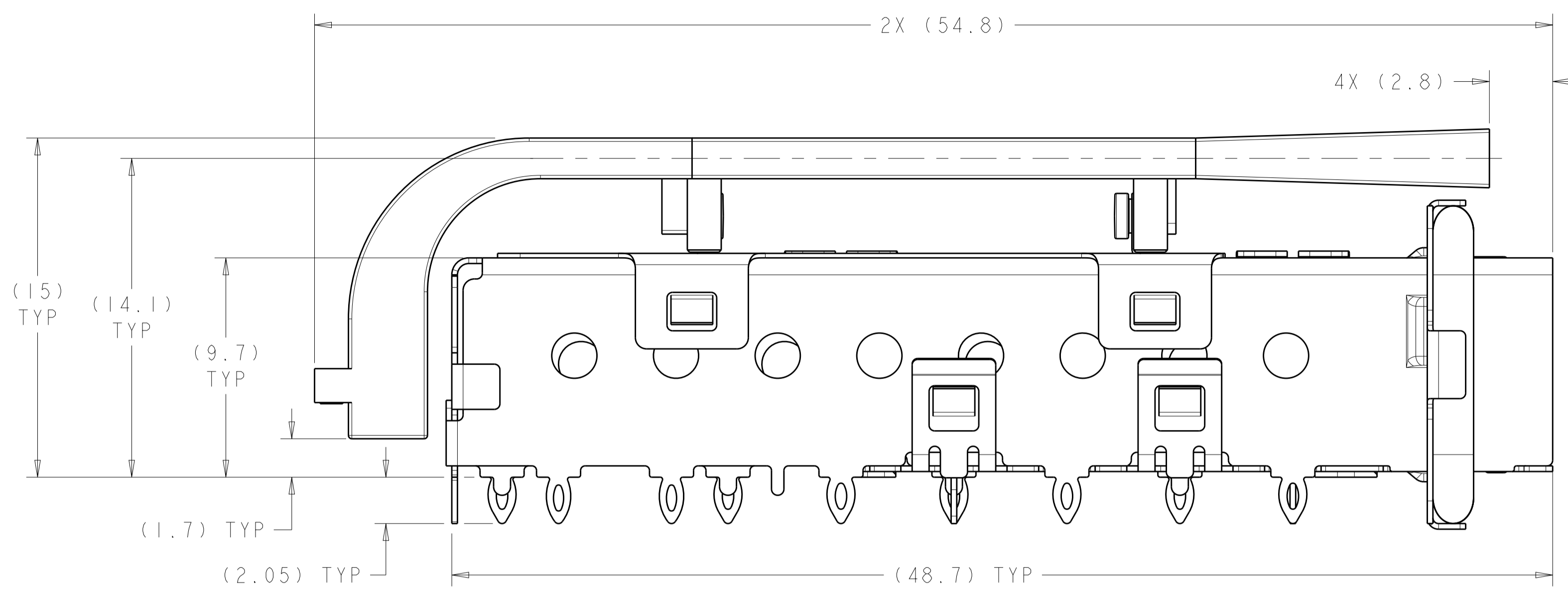


LOC	DIST	REVISIONS					
GP	00	P	LTN	DESCRIPTION	DATE	DMN	APVD
		B		REVISED PER ECO-09-022874	9OCT2009	ZMR	MRS
		C		REVISED PER ECO-10-004036	9MAR2010	CJV	MRS
		D		REVISED PER ECO-12-014021	10DEC2012	TD	AC



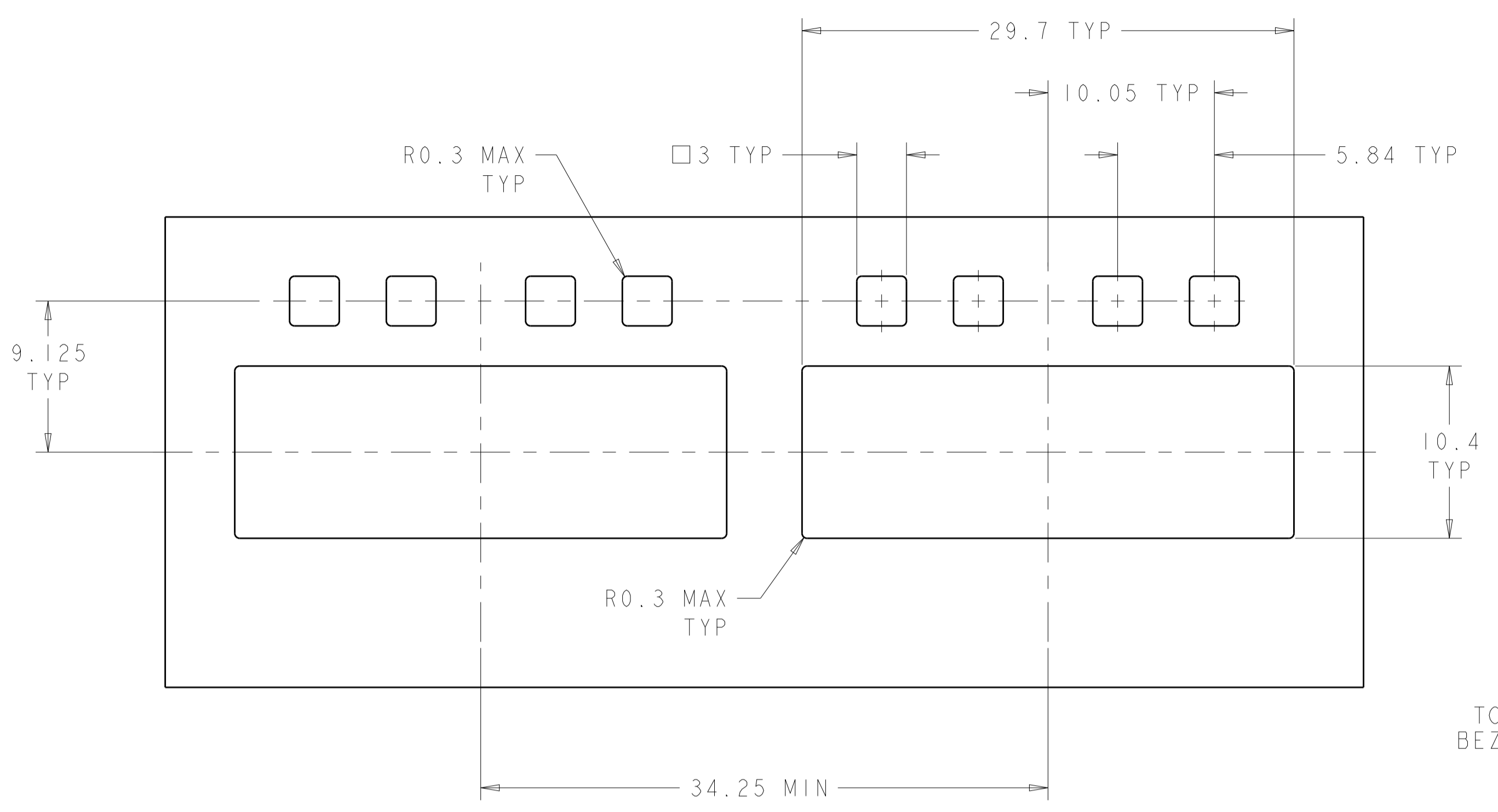
- △ MATERIAL:
 CAGE ASSEMBLY: 0.25mm THICK NICKEL SILVER ALLOY
 GASKET RETENTION PLATE: STAINLESS STEEL
 EMI GASKET: PLATED FILLED SILICONE
 LIGHT PIPE BRACKET: STAINLESS STEEL
 LIGHT PIPE: POLYCARBONATE, CLEAR
- △ DATUM AND BASIC DIMENSION ESTABLISHED BY CUSTOMER.
3. MATES WITH SFP MSA COMPLIANT TRANSCEIVERS.
- △ PADS AND VIAS CHASSIS GROUND.
5. INTERPRETATION OF DATUM REFERENCE FRAME IN ACCORDANCE WITH SECT 4.4.1.1 OF ASME Y14.5M-1994.
- △ MINIMUM PC BOARD THICKNESS: = 1.50mm.
- △ HOLE PATTERN REPEATS FOR EACH PORT. SPACING BETWEEN PORTS IS 14.25mm.
- △ REFERENCE APPLICATION SPEC. 114-13120, HOLE A, FOR RECOMMENDED DRILL HOLE DIAMETER AND PLATING THICKNESS.
- △ REFERENCE APPLICATION SPEC. 114-13120, HOLE B, FOR RECOMMENDED DRILL HOLE DIAMETER AND PLATING THICKNESS.
- △ LIGHT PIPE ASSEMBLY SHIPPED UNASSEMBLED TO CAGE ASSEMBLY. CAGE ASSEMBLY TO BE PRESSED INTO THE PCB PRIOR TO ATTACHING THE LIGHT PIPE ASSEMBLY TO THE CAGE.
11. PRODUCT COMPLIES WITH SPECIFICATION SFF-8433 IMPROVED PLUGGABLE FORM FACTOR FOR SFP+ GANGED CAGES.

2007400-1
 PART NUMBER

DIMENSIONS: mm		TOLERANCES UNLESS OTHERWISE SPECIFIED: 0 PLC ±0.1 1 PLC ±0.1 2 PLC ±0.1 3 PLC ±0.1 4 PLC ±0.1 ANGLES ±1°		DIMN Z.M.REAM 26OCT2007 CHK M.R.SCHMITT 26OCT2007 APVD B.H.WERTZ 26OCT2007		Tyco Electronics Harrisburg, PA 17105-3608	
MATERIAL △		FINISH		PRODUCT SPEC 108-2364 APPLICATION SPEC 114-13120		NAME SFP+ 1X2 CAGE ASSEMBLY PRESS FIT, EMI GASKET, W/ REDUCED LENGTH SQUARE LIGHT PIPES SIZE CAGE CODE DRAWING NO RESTRICTED TO A 00779 C=2007400	
Customer Drawing				WEIGHT		SCALE 6:1 SHEET 1 OF 3 REV D	

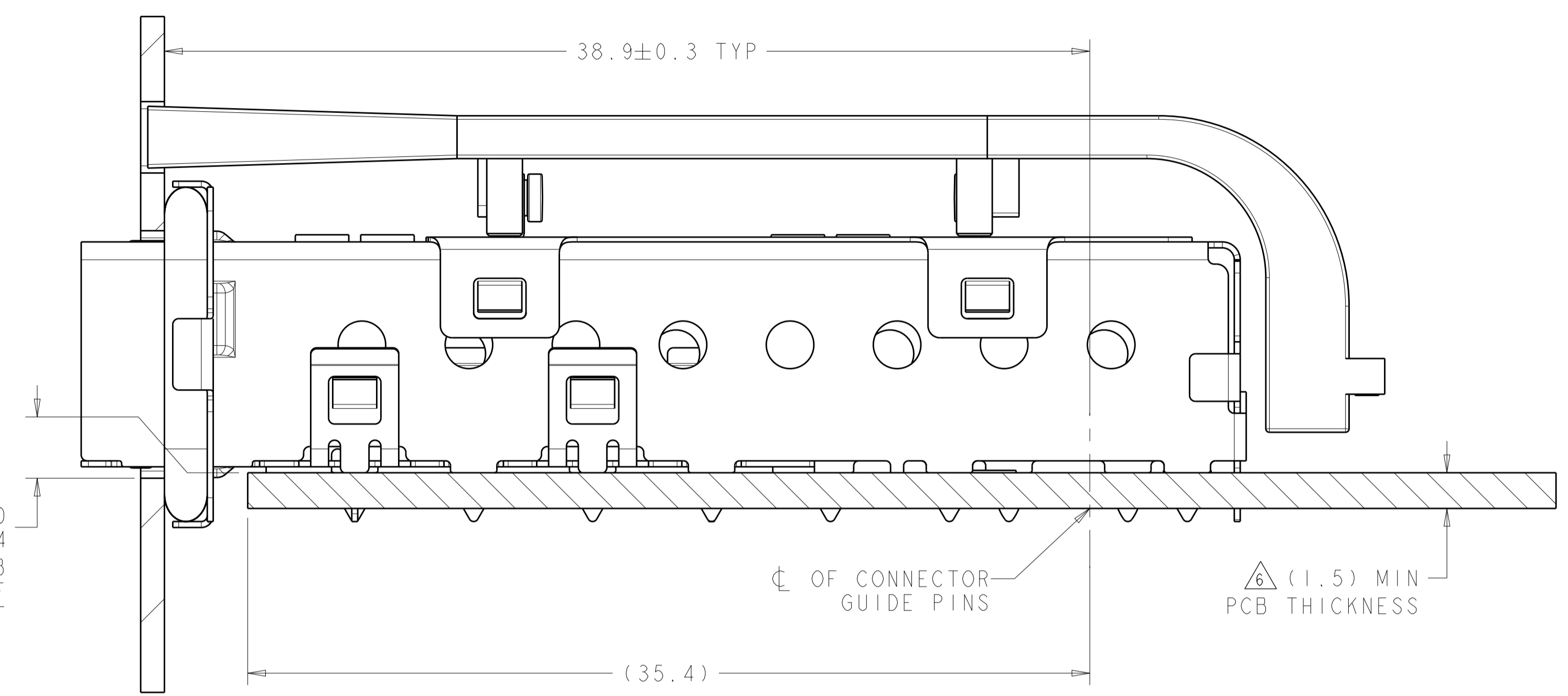
LOC	DIST	REV	DATE	BY	APPV
GP	00				

REVISIONS			
NO.	DESCRIPTION	DATE	BY
-	SEE SHEET 1	-	-

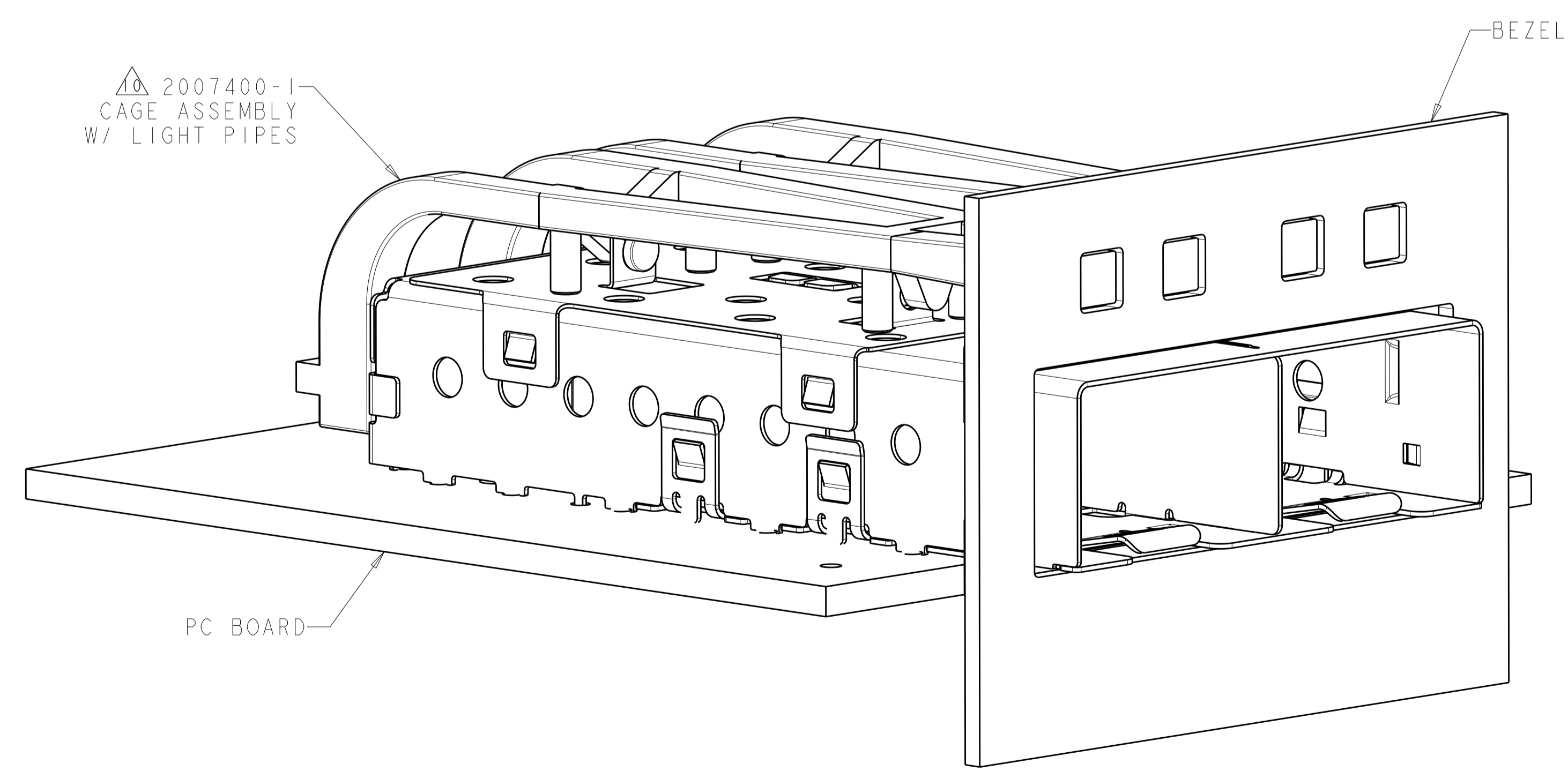


RECOMMENDED BEZEL CUTOUT
 SCALE 4:1

0.23^{+0.10}_{-0.14}
 TOP OF PCB
 TO INSIDE OF
 BEZEL CUT-OUT



2007400-1
 MOUNTED ON PCB SHOWN
 THRU RECOMMENDED BEZEL



2007400-1
 MOUNTED ON PCB SHOWN
 THRU RECOMMENDED BEZEL
 SCALE 5:1

<small>THIS DRAWING IS UNPUBLISHED. RELEASED FOR PUBLICATION BY TYCO ELECTRONICS CORPORATION. ALL RIGHTS RESERVED.</small>		DWN: Z.M. REAM 26OCT2007 CHK: M.R. SCHMITZ 26OCT2007 APPV: R.H. WERTZ 26OCT2007	Tyco Electronics Harrisburg, PA 17105-3608
DIMENSIONS: mm 	TOLERANCES UNLESS OTHERWISE SPECIFIED: 0 PLC ±0.1 1 PLC ±0.1 2 PLC ±0.1 3 PLC ±0.1 4 PLC ±0.1 ANGLES ±1°	PRODUCT SPEC: 108-2364 APPLICATION SPEC: 114-13120	NAME: SFP+ 1X2 CAGE ASSEMBLY PRESS FIT, EMI GASKET, W/ REDUCED LENGTH SQUARE LIGHT PIPES SIZE: A1 CAGE CODE: 00779 DRAWING NO: 2007400
MATERIAL:	FINISH:	WEIGHT:	Customer Drawing
SCALE: 6:1		SHEET: 2 OF 3	REV: D

