



# 74VHC595 8-Bit Shift Register with Output Latches

## Features

- High Speed:  $t_{PD} = 5.4ns$  (Typ.) at  $V_{CC} = 5V$
- Low power dissipation:  $I_{CC} = 4\mu A$  (Max.) at  $T_A = 25^\circ C$
- High noise immunity:  $V_{NIH} = V_{NIL} = 28\% V_{CC}$  (Min.)
- Power down protection is provided on all inputs
- Low noise:  $V_{OLP} = 0.9V$  (Typ.)
- Pin and function compatible with 74HC595

## General Description

The VHC595 is an advanced high-speed CMOS Shift Register fabricated with silicon gate CMOS technology. It achieves the high-speed operation similar to equivalent Bipolar Schottky TTL while maintaining the CMOS low power dissipation.

This device contains an 8-bit serial-in, parallel-out shift register that feeds an 8-bit D-type storage register. The storage register has eight 3-STATE outputs. Separate clocks are provided for both the shift register and the storage register. The shift register has a direct-overriding clear, serial input, and serial output (standard) pins for cascading. Both the shift register and storage register use positive-edge triggered clocks. If both clocks are connected together, the shift register state will always be one clock pulse ahead of the storage register.

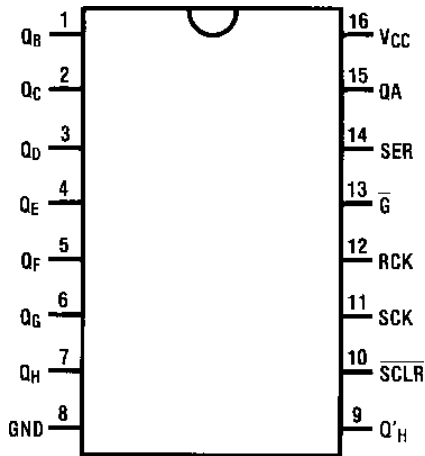
An input protection circuit insures that 0V to 7V can be applied to the input pins without regard to the supply voltage. This device can be used to interface 5V to 3V systems and two supply systems such as battery backup. This circuit prevents device destruction due to mismatched supply and input voltages.

## Ordering Information

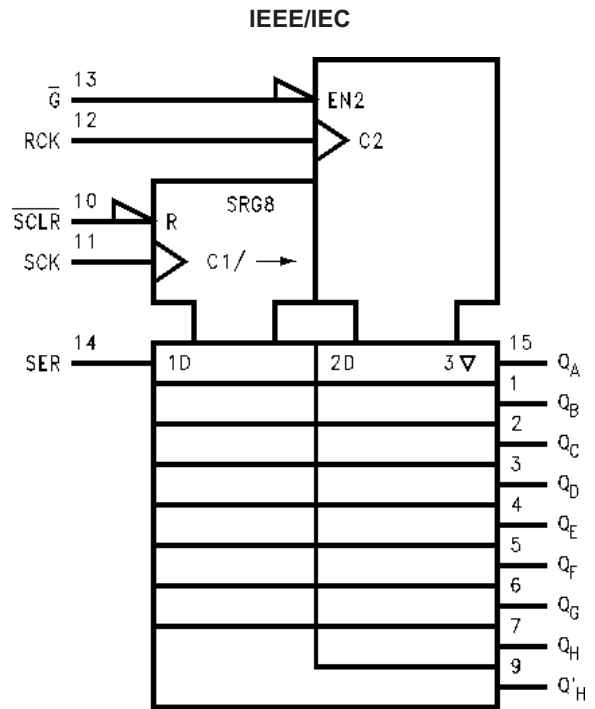
| Order Number | Package Number | Package Description  |
|--------------|----------------|--|
| 74VHC595M    | M16A           | 16-Lead Small Outline Integrated Circuit (SOIC), JEDEC MS-012, 0.150" Narrow |
| 74VHC595SJ   | M16D           | 16-Lead Small Outline Package (SOP), EIAJ TYPE II, 5.3mm Wide                |
| 74VHC595MTC  | MTC16          | 16-Lead Thin Shrink Small Outline Package (TSSOP), JEDEC MO-153, 4.4mm Wide  |

Surface mount packages are also available on Tape and Reel. Specify by appending the suffix letter "X" to the ordering number.

### Connection Diagram



### Logic Symbol



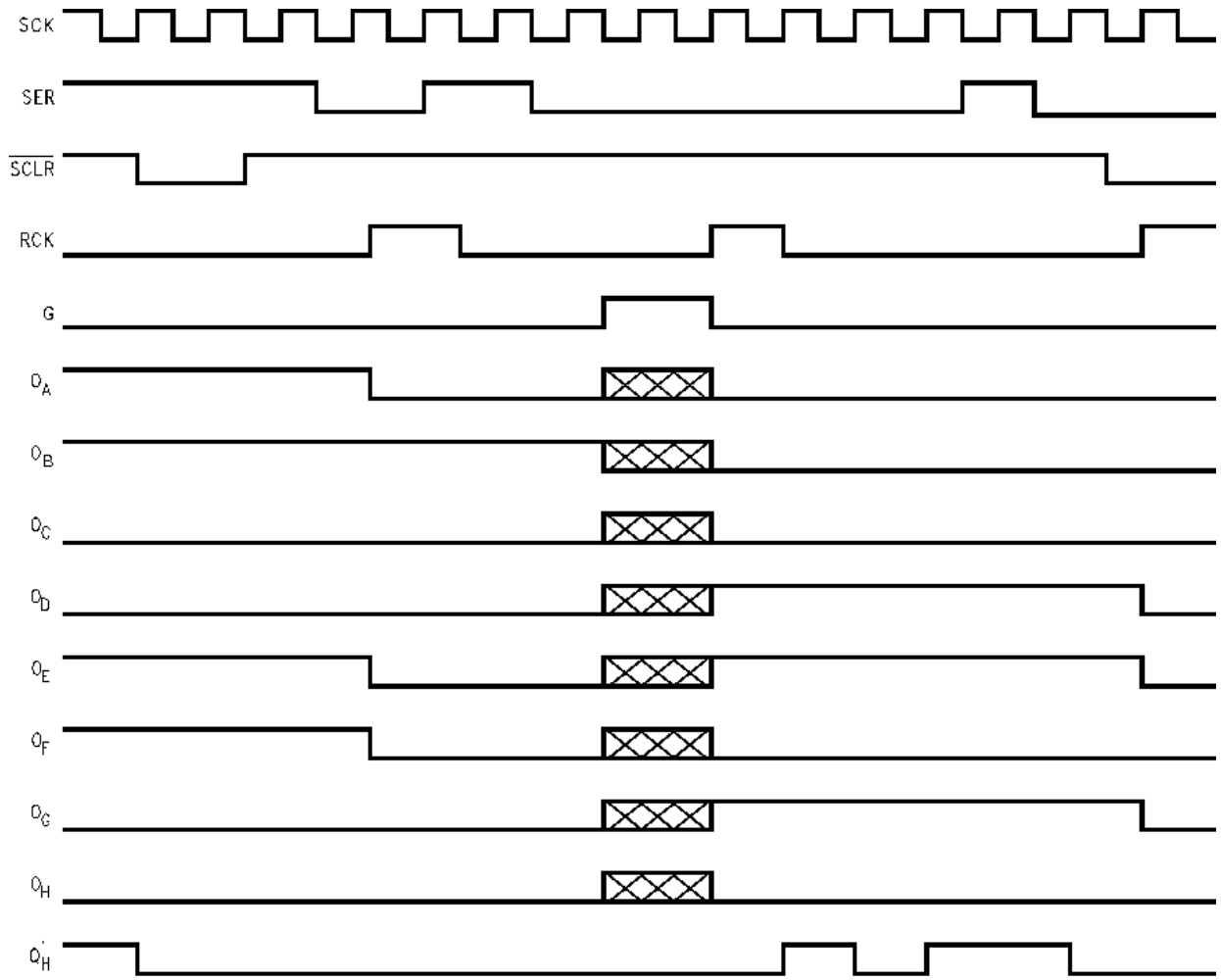
### Pin Description


| Pin Names                       | Description                                       |
|---------------------------------|---|
| SER                             | Serial Data Input                                 |
| SCK                             | Shift Register Clock Input (Active rising edge)   |
| RCK                             | Storage Register Clock Input (Active rising edge) |
| SCLR                            | Reset Input                                       |
| G-bar                           | 3-STATE Output Enable Input (Active LOW)          |
| Q <sub>A</sub> – Q <sub>H</sub> | Parallel Data Outputs                             |
| Q' <sub>H</sub>                 | Serial Data Output                                |

### Truth Table

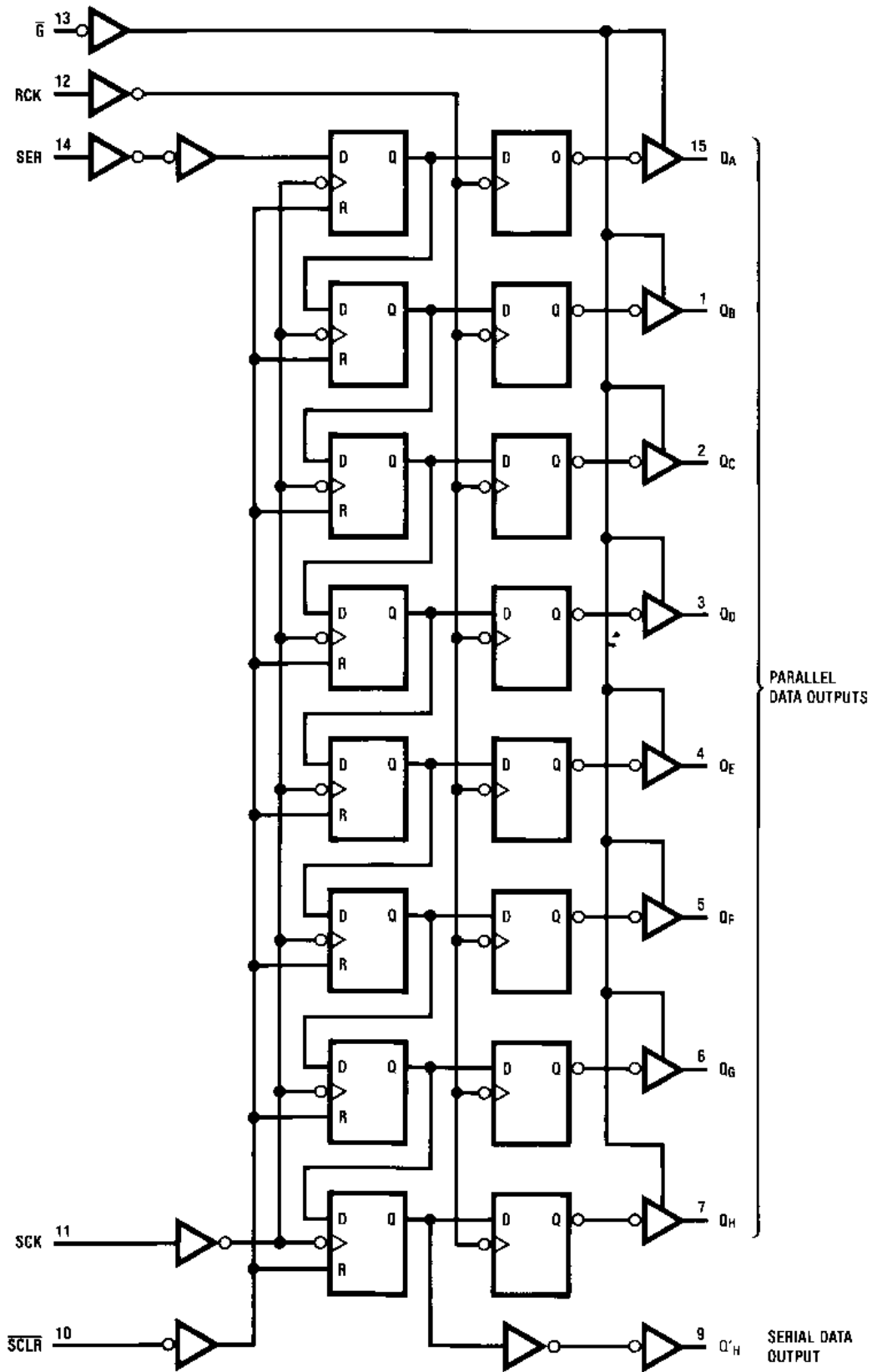
| Inputs |     |     |      |       | Function   |
|--------|-----|-----|------|-------|--|
| SER    | RCK | SCK | SCLR | G-bar |  |
| X      | X   | X   | X    | H     | Q <sub>A</sub> thru Q <sub>H</sub> 3-STATE   |
| X      | X   | X   | X    | L     | Q <sub>A</sub> thru Q <sub>H</sub> outputs enabled                                   |
| X      | X   | X   | L    | L     | Shift Register cleared: Q' <sub>H</sub> = 0  |
| L      | X   | ↑   | H    | L     | Shift Register clocked: Q <sub>N</sub> = Q <sub>n-1</sub> , Q <sub>0</sub> = SER = L |
| H      | X   | ↑   | H    | L     | Shift Register clocked: Q <sub>N</sub> = Q <sub>n-1</sub> , Q <sub>0</sub> = SER = H |
| X      | ↑   | X   | H    | L     | Contents of Shift Register transferred to output latches                             |

Timing Diagram



NOTE:  Implies that the output is in 3-STATE mode.

Logic Diagram (positive logic)



## Absolute Maximum Ratings

Stresses exceeding the absolute maximum ratings may damage the device. The device may not function or be operable above the recommended operating conditions and stressing the parts to these levels is not recommended. In addition, extended exposure to stresses above the recommended operating conditions may affect device reliability. The absolute maximum ratings are stress ratings only.

| Symbol    | Parameter                                | Rating                   |
|-----------|--|--------------------------|
| $V_{CC}$  | Supply Voltage                           | -0.5V to +7.0V           |
| $V_{IN}$  | DC Input Voltage                         | -0.5V to +7.0V           |
| $V_{OUT}$ | DC Output Voltage                        | -0.5V to $V_{CC} + 0.5V$ |
| $I_{IK}$  | Input Diode Current                      | -20mA                    |
| $I_{OK}$  | Output Diode Current                     | $\pm 20mA$               |
| $I_{OUT}$ | DC Output Current                        | $\pm 25mA$               |
| $I_{CC}$  | DC $V_{CC}$ /GND Current                 | $\pm 75mA$               |
| $T_{STG}$ | Storage Temperature                      | -65°C to +150°C          |
| $T_L$     | Lead Temperature (Soldering, 10 seconds) | 260°C                    |

## Recommended Operating Conditions<sup>(1)</sup>

The Recommended Operating Conditions table defines the conditions for actual device operation. Recommended operating conditions are specified to ensure optimal performance to the datasheet specifications. Fairchild does not recommend exceeding them or designing to absolute maximum ratings.

| Symbol     | Parameter  | Rating                    |
|------------|--|---------------------------|
| $V_{CC}$   | Supply Voltage   | 2.0V to +5.5V             |
| $V_{IN}$   | Input Voltage  | 0V to +5.5V               |
| $V_{OUT}$  | Output Voltage   | 0V to $V_{CC}$            |
| $T_{OPR}$  | Operating Temperature  | -40°C to +85°C            |
| $t_r, t_f$ | Input Rise and Fall Time<br>$V_{CC} = 3.3V \pm 0.3V$<br>$V_{CC} = 5.0V \pm 0.5V$ | 0 ~ 100ns/V<br>0 ~ 20ns/V |

### Note:

1. Unused inputs must be held HIGH or LOW. They may not float.

## DC Electrical Characteristics

| Symbol          | Parameter                        | V <sub>CC</sub> (V) | Conditions  | T <sub>A</sub> = 25°C   |      |                        | T <sub>A</sub> = -40°C to +85°C |                       | Units |    |      |  |
|-----------------|----------------------------------|---------------------|---|-------------------------|------|------------------------|---------------------------------|-----------------------|-------|----|------|--|
|                 |                                  |                     |   | Min.                    | Typ. | Max.                   | Min.                            | Max.                  |       |    |      |  |
| V <sub>IH</sub> | HIGH Level Input Voltage         | 2.0                 |   | 1.50                    |      |                        | 1.50                            |                       | V     |    |      |  |
|                 |                                  | 3.0 – 5.5           |   | 0.7 × V <sub>CC</sub>   |      |                        | 0.7 × V <sub>CC</sub>           |                       |       |    |      |  |
| V <sub>IL</sub> | LOW Level Input Voltage          | 2.0                 |   |                         |      | 0.50                   |                                 | 0.50                  | V     |    |      |  |
|                 |                                  | 3.0 – 5.5           |   |                         |      | 0.3 × V <sub>CC</sub>  |                                 | 0.3 × V <sub>CC</sub> |       |    |      |  |
| V <sub>OH</sub> | HIGH Level Output Voltage        | 2.0                 | V <sub>IN</sub> = V <sub>IH</sub><br>or V <sub>IL</sub>   | I <sub>OH</sub> = -50μA | 1.9  | 2.0                    |                                 | 1.9                   |       | V  |      |  |
|                 |                                  | 3.0                 |   |                         | 2.9  | 3.0                    |                                 | 2.9                   |       |    |      |  |
|                 |                                  | 4.5                 |   |                         | 4.4  | 4.5                    |                                 | 4.4                   |       |    |      |  |
|                 |                                  | 3.0                 |   |                         |      | I <sub>OH</sub> = -4mA | 2.58                            |                       |       |    | 2.48 |  |
|                 |                                  | 4.5                 |   |                         |      | I <sub>OH</sub> = -8mA | 3.94                            |                       |       |    | 3.80 |  |
| V <sub>OL</sub> | LOW Level Output Voltage         | 2.0                 | V <sub>IN</sub> = V <sub>IH</sub><br>or V <sub>IL</sub>   | I <sub>OL</sub> = 50μA  |      | 0.0                    | 0.1                             |                       | 0.1   | V  |      |  |
|                 |                                  | 3.0                 |   |                         |      | 0.0                    | 0.1                             |                       | 0.1   |    |      |  |
|                 |                                  | 4.5                 |   |                         |      | 0.0                    | 0.1                             |                       | 0.1   |    |      |  |
|                 |                                  | 3.0                 |   |                         |      | I <sub>OL</sub> = 4mA  |                                 | 0.36                  |       |    | 0.44 |  |
|                 |                                  | 4.5                 |   |                         |      | I <sub>OL</sub> = 8mA  |                                 | 0.36                  |       |    | 0.44 |  |
| I <sub>OZ</sub> | 3-STATE Output Off-State Current | 5.5                 | V <sub>IN</sub> = V <sub>CC</sub> or GND,<br>V <sub>OUT</sub> = V <sub>CC</sub> or GND,<br>V <sub>IN</sub> $\bar{G}$ = V <sub>IH</sub> or V <sub>IL</sub> |                         |      |                        | ±0.25                           |                       | ±2.5  | μA |      |  |
| I <sub>IN</sub> | Input Leakage Current            | 0 – 5.5             | V <sub>IN</sub> = 5.5V or GND   |                         |      |                        | ±0.1                            |                       | ±1.0  | μA |      |  |
| I <sub>CC</sub> | Quiescent Supply Current         | 5.5                 | V <sub>IN</sub> = V <sub>CC</sub> or GND  |                         |      | 4.0                    |                                 |                       | 40.0  | μA |      |  |

## Noise Characteristics

| Symbol                          | Parameter                                    | V <sub>CC</sub> (V) | Conditions            | T <sub>A</sub> = 25°C |        | Units |
|---------------------------------|--|---------------------|-----------------------|-----------------------|--------|-------|
|                                 |  |                     |                       | Typ.                  | Limits |       |
| V <sub>OLP</sub> <sup>(2)</sup> | Quiet Output Maximum Dynamic V <sub>OL</sub> | 5.0                 | C <sub>L</sub> = 50pF | 0.9                   | 1.2    | V     |
| V <sub>OLV</sub> <sup>(2)</sup> | Quiet Output Minimum Dynamic V <sub>OL</sub> | 5.0                 | C <sub>L</sub> = 50pF | -0.9                  | -1.2   | V     |
| V <sub>IHD</sub> <sup>(2)</sup> | Minimum HIGH Level Dynamic Input Voltage     | 5.0                 | C <sub>L</sub> = 50pF |                       | 3.5    | V     |
| V <sub>ILD</sub> <sup>(2)</sup> | Maximum LOW Level Dynamic Input Voltage      | 5.0                 | C <sub>L</sub> = 50pF |                       | 1.5    | V     |

**Note:**

2. Parameter guaranteed by design.

## AC Electrical Characteristics

| Symbol                                | Parameter  | V <sub>CC</sub> (V) | Conditions             | T <sub>A</sub> = +25°C |      |      | T <sub>A</sub> = -40°C to +85°C |      | Units |
|---------------------------------------|--|---------------------|------------------------|------------------------|------|------|---------------------------------|------|-------|
|                                       |  |                     |                        | Min.                   | Typ. | Max. | Min.                            | Max. |       |
| t <sub>PLH</sub> , t <sub>PHL</sub>   | Propagation Delay Time, RCK to Q <sub>A</sub> -Q <sub>H</sub>    | 3.3 ± 0.3           |                        | C <sub>L</sub> = 15pF  | 7.7  | 11.9 | 1.0                             | 13.5 | ns    |
|                                       |  |                     |                        | C <sub>L</sub> = 50pF  | 10.2 | 15.4 | 1.0                             | 17.0 |       |
|                                       |  | 5.0 ± 0.5           |                        | C <sub>L</sub> = 15pF  | 5.4  | 7.4  | 1.0                             | 8.5  | ns    |
|                                       |  |                     |                        | C <sub>L</sub> = 50pF  | 6.9  | 9.4  | 1.0                             | 10.5 |       |
| t <sub>PLH</sub> , t <sub>PHL</sub>   | Propagation Delay Time, SCK-Q'H                                  | 3.3 ± 0.3           |                        | C <sub>L</sub> = 15pF  | 8.8  | 13.0 | 1.0                             | 15.0 | ns    |
|                                       |  |                     |                        | C <sub>L</sub> = 50pF  | 11.3 | 16.5 | 1.0                             | 18.5 |       |
|                                       |  | 5.0 ± 0.5           |                        | C <sub>L</sub> = 15pF  | 6.2  | 8.2  | 1.0                             | 9.4  | ns    |
|                                       |  |                     |                        | C <sub>L</sub> = 50pF  | 7.7  | 10.2 | 1.0                             | 11.4 |       |
| t <sub>PHL</sub>                      | Propagation Delay Time, SCLR-Q'H                                 | 3.3 ± 0.3           |                        | C <sub>L</sub> = 15pF  | 8.4  | 12.8 | 1.0                             | 13.7 | ns    |
|                                       |  |                     |                        | C <sub>L</sub> = 50pF  | 10.9 | 16.3 | 1.0                             | 17.2 |       |
|                                       |  | 5.0 ± 0.5           |                        | C <sub>L</sub> = 15pF  | 5.9  | 8.0  | 1.0                             | 9.1  | ns    |
|                                       |  |                     |                        | C <sub>L</sub> = 50pF  | 7.4  | 10.0 | 1.0                             | 11.1 |       |
| t <sub>PZL</sub> , t <sub>PZH</sub>   | Output Enable Time, $\bar{G}$ to Q <sub>A</sub> -Q <sub>H</sub>  | 3.3 ± 0.3           | R <sub>L</sub> = 1kΩ   | C <sub>L</sub> = 15pF  | 7.5  | 11.5 | 1.0                             | 13.5 | ns    |
|                                       |  |                     |                        | C <sub>L</sub> = 50pF  | 9.0  | 15.0 | 1.0                             | 17.0 |       |
|                                       |  | 5.0 ± 0.5           |                        | C <sub>L</sub> = 15pF  | 4.8  | 8.6  | 1.0                             | 10.0 | ns    |
|                                       |  |                     |                        | C <sub>L</sub> = 50pF  | 8.3  | 10.6 | 1.0                             | 12.0 |       |
| t <sub>PLZ</sub> , t <sub>PHZ</sub>   | Output Disable Time, $\bar{G}$ to Q <sub>A</sub> -Q <sub>H</sub> | 3.3 ± 0.3           | R <sub>L</sub> = 1kΩ   | C <sub>L</sub> = 50pF  | 12.1 | 15.7 | 1.0                             | 16.2 | ns    |
|                                       |  | 5.0 ± 0.5           |                        | C <sub>L</sub> = 50pF  | 7.6  | 10.3 | 1.0                             | 11.0 |       |
| f <sub>MAX</sub>                      | Maximum Clock Frequency  | 3.3 ± 0.3           |                        | C <sub>L</sub> = 15pF  | 80   | 150  | 70                              |      | MHz   |
|                                       |  |                     |                        | C <sub>L</sub> = 50pF  | 55   | 130  | 50                              |      |       |
|                                       |  | 5.0 ± 0.5           |                        | C <sub>L</sub> = 15pF  | 135  | 185  | 115                             |      | MHz   |
|                                       |  |                     |                        | C <sub>L</sub> = 50pF  | 95   | 155  | 85                              |      |       |
| t <sub>OSLH</sub> , t <sub>OSSL</sub> | Output to Output Skew  | 3.3 ± 0.3           | <sup>(3)</sup>         | C <sub>L</sub> = 50pF  |      | 1.5  |                                 | 1.5  | ns    |
|                                       |  | 5.0 ± 0.5           |                        | C <sub>L</sub> = 50pF  |      | 1.0  |                                 | 1.0  |       |
| C <sub>IN</sub>                       | Input Capacitance  |                     | V <sub>CC</sub> = Open |                        | 5.0  | 10   |                                 | 10   | pF    |
| C <sub>OUT</sub>                      | Output Capacitance   |                     | V <sub>CC</sub> = 5.0V |                        | 6.0  |      |                                 |      | pF    |
| C <sub>PD</sub>                       | Power Dissipation Capacitance                                    |                     | <sup>(4)</sup>         |                        | 87   |      |                                 |      | pF    |

**Notes:**

- Parameter guaranteed by design. t<sub>OSLH</sub> = | t<sub>PLH</sub> max - t<sub>PLH</sub> min |; t<sub>OSSL</sub> = | t<sub>PHL</sub> max - t<sub>PHL</sub> min |
- C<sub>PD</sub> is defined as the value of the internal equivalent capacitance which is calculated from the operating current consumption without load. Average operating current can be obtained by the equation:  
I<sub>CC</sub> (Opr.) = C<sub>PD</sub> • V<sub>CC</sub> • f<sub>IN</sub> + I<sub>CC</sub>

## AC Operating Requirements

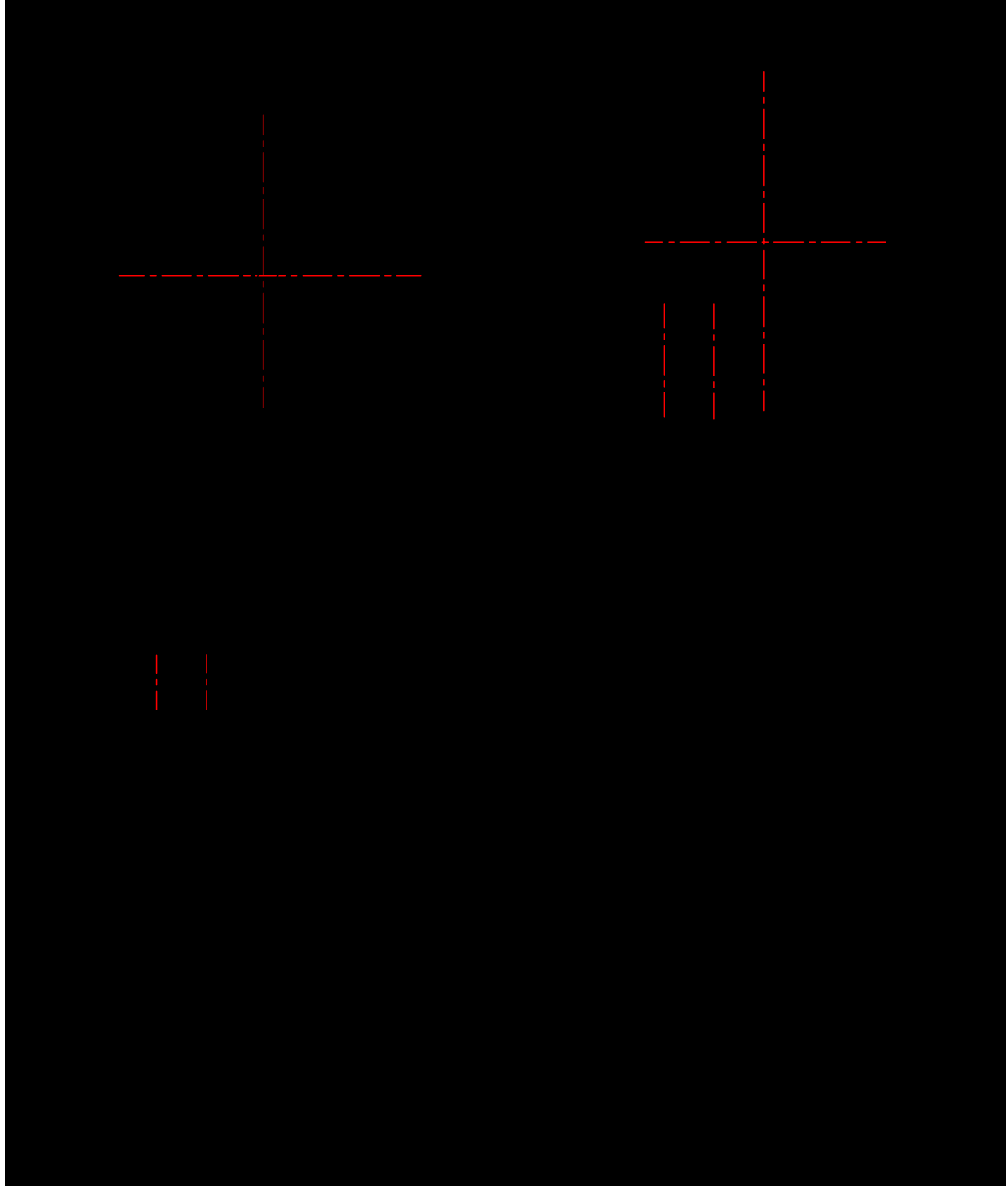
| Symbol                                | Parameter   | V <sub>CC</sub> (V) | T <sub>A</sub> = 25°C |                    | T <sub>A</sub> = -40°C<br>to +85°C | Units |
|---------------------------------------|---|---------------------|-----------------------|--------------------|------------------------------------|-------|
|                                       |   |                     | Typ.                  | Guaranteed Minimum |                                    |       |
| t <sub>S</sub>                        | Minimum Setup Time (SER–SCK)                          | 3.3 ± 0.3           |                       | 3.5                | 3.5                                | ns    |
|                                       |   | 5.0 ± 0.5           |                       | 3.0                | 3.0                                |       |
| t <sub>S</sub>                        | Minimum Setup Time (SCK–RCK)                          | 3.3 ± 0.3           |                       | 8.0                | 8.5                                | ns    |
|                                       |   | 5.0 ± 0.5           |                       | 5.0                | 5.0                                |       |
| t <sub>S</sub>                        | Minimum Setup Time ( $\overline{\text{SCLR}}$ –RCK)   | 3.3 ± 0.3           |                       | 8.0                | 9.0                                | ns    |
|                                       |   | 5.0 ± 0.5           |                       | 5.0                | 5.0                                |       |
| t <sub>H</sub>                        | Minimum Hold Time (SER–SCK)                           | 3.3 ± 0.3           |                       | 1.5                | 1.5                                | ns    |
|                                       |   | 5.0 ± 0.5           |                       | 2.0                | 2.0                                |       |
| t <sub>H</sub>                        | Minimum Hold Time (SCK–RCK)                           | 3.3 ± 0.3           |                       | 0.0                | 0.0                                | ns    |
|                                       |   | 5.0 ± 0.5           |                       | 0.0                | 0.0                                |       |
| t <sub>H</sub>                        | Minimum Hold Time ( $\overline{\text{SCLR}}$ –RCK)    | 3.3 ± 0.3           |                       | 0.0                | 0.0                                | ns    |
|                                       |   | 5.0 ± 0.5           |                       | 0.0                | 0.0                                |       |
| t <sub>W(L)</sub>                     | Minimum Pulse Width ( $\overline{\text{SCLR}}$ )      | 3.3 ± 0.3           |                       | 5.0                | 5.0                                | ns    |
|                                       |   | 5.0 ± 0.5           |                       | 5.0                | 5.0                                |       |
| t <sub>W(L)</sub> , t <sub>W(H)</sub> | Minimum Pulse Width (SCK)                             | 3.3 ± 0.3           |                       | 5.0                | 5.0                                | ns    |
|                                       |   | 5.0 ± 0.5           |                       | 5.0                | 5.0                                |       |
| t <sub>W(L)</sub> , t <sub>W(H)</sub> | Minimum Pulse Width (RCK)                             | 3.3 ± 0.3           |                       | 5.0                | 5.0                                | ns    |
|                                       |   | 5.0 ± 0.5           |                       | 5.0                | 5.0                                |       |
| t <sub>rem</sub>                      | Minimum Removal Time ( $\overline{\text{SCLR}}$ –SCK) | 3.3 ± 0.3           |                       | 3.0                | 3.0                                | ns    |
|                                       |   | 5.0 ± 0.5           |                       | 2.5                | 2.5                                |       |





**Physical Dimensions** (Continued)

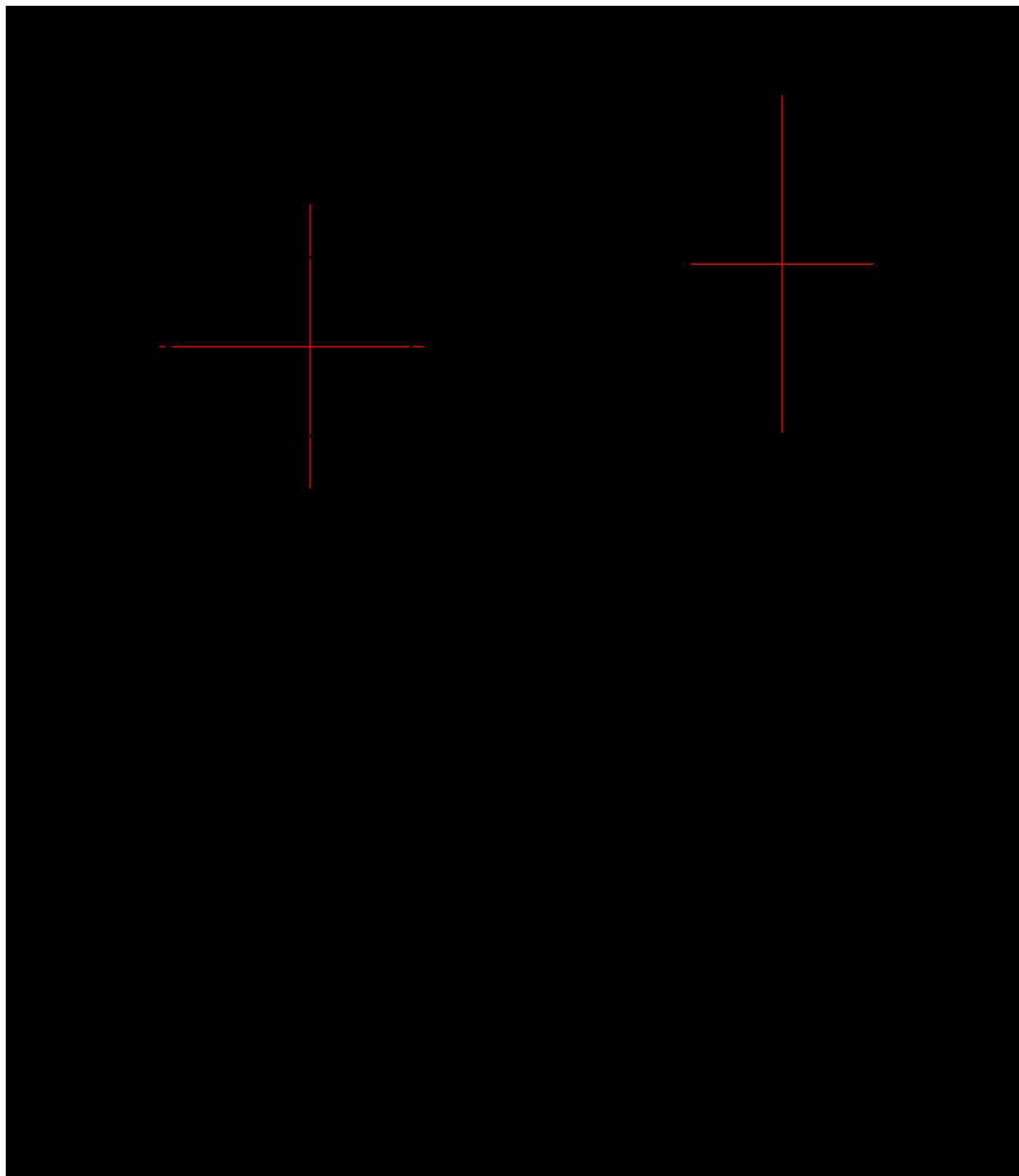
Dimensions are in millimeters unless otherwise noted.



**Figure 2. 16-Lead Small Outline Package (SOP), EIAJ TYPE II, 5.3mm Wide  
Package Number M16D**

### Physical Dimensions (Continued)

Dimensions are in millimeters unless otherwise noted.



**Figure 3. 16-Lead Thin Shrink Small Outline Package (TSSOP), JEDEC MO-153, 4.4mm Wide  
Package Number MTC16**

