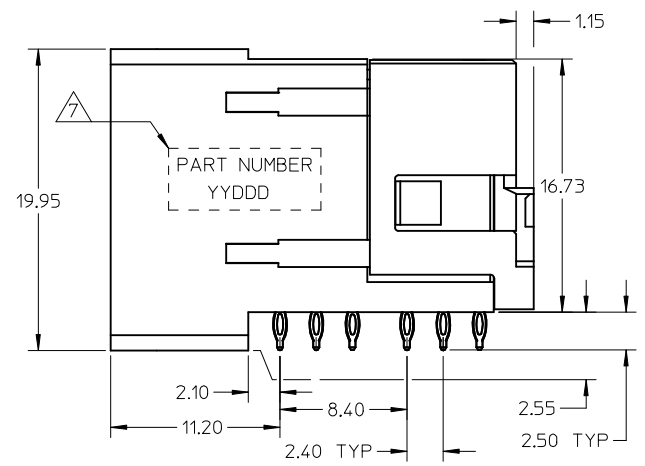
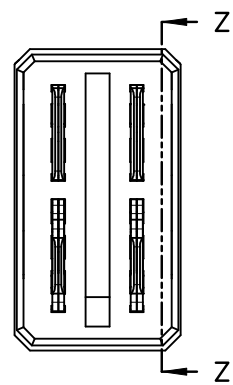
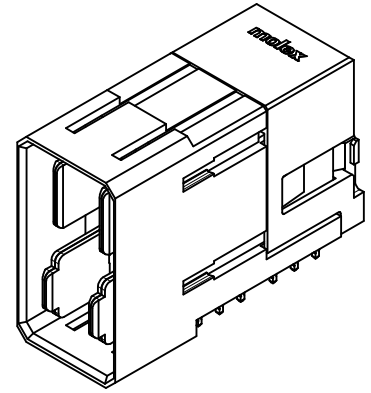
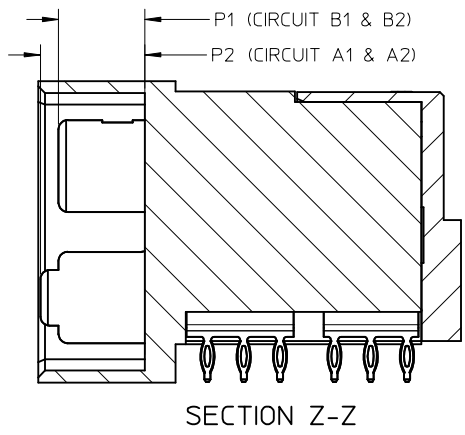
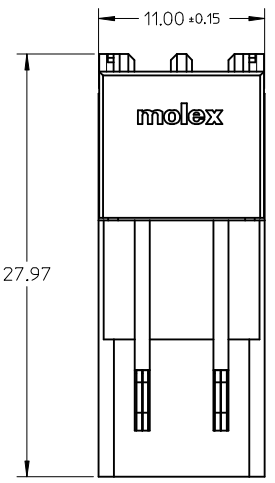
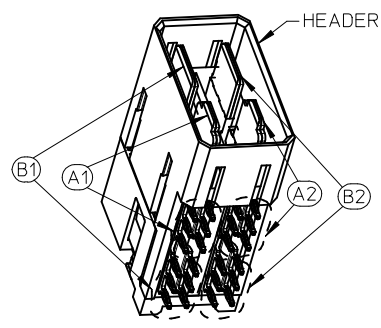
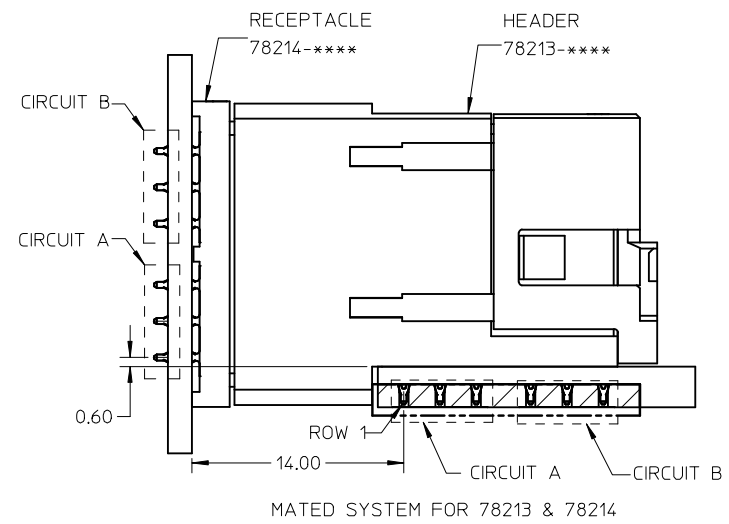
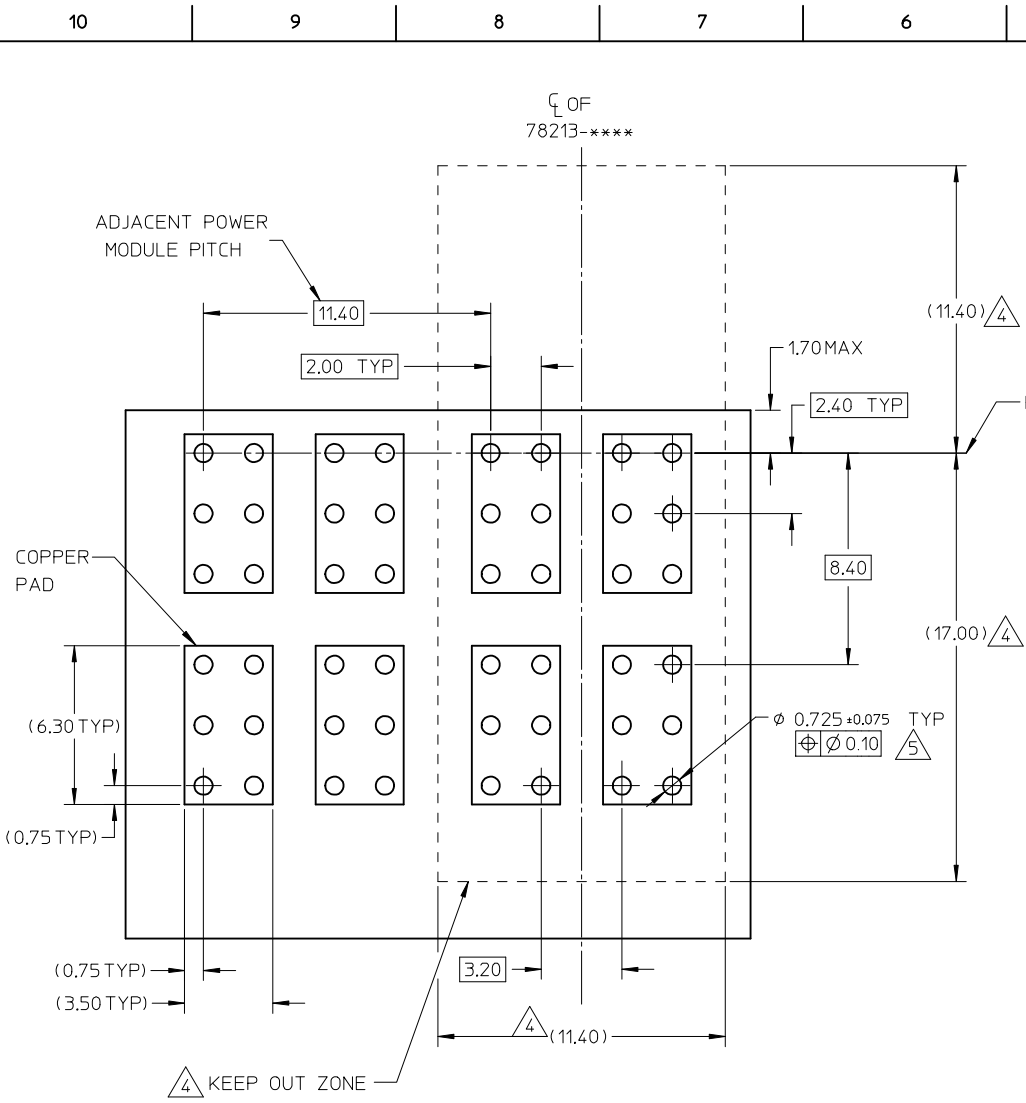


10 9 8 7 6 5 4 3 2 1

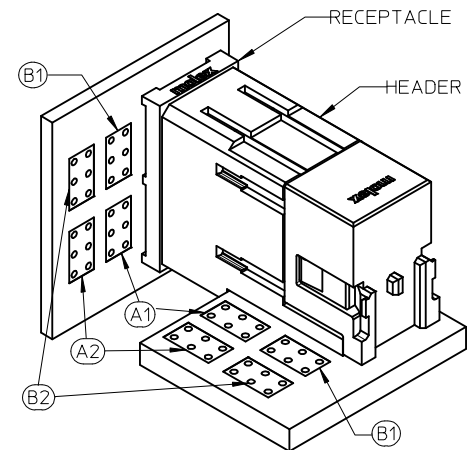


SEE SHEET 2 EC NO: S2014-0872 DRWN: SHONG CHKD: HCGOH APPR: SILENI	2015/01/09 2015/01/09 2015/04/07	DESCRIPTION REV	QUALITY SYMBOLS	GENERAL TOLERANCES (UNLESS SPECIFIED)	DIMENSION STYLE	SCALE	DESIGN UNITS	THIRD ANGLE PROJECTION		
			▼=0 ◻=0	mm INCH 4 PLACES ± --- ± --- 3 PLACES ± --- ± --- 2 PLACES ± 0.25 ± --- 1 PLACE ± --- ± --- ANGULAR ± 3 °	MM ONLY	NTS	METRIC	DRAWN BY: LNG DATE: 2007/11/02 CHECKED BY: KWLOKE DATE: 2008/01/11 APPROVED BY: SHONG DATE: 2008/01/11	TITLE	IMPACT POWER, 4 PAIR RIGHT ANGLE HEADER PRESS-FIT
			DRAFT WHERE APPLICABLE MUST REMAIN WITHIN DIMENSIONS	SEE TABLE	MATERIAL NO.	DOCUMENT NO.	SHEET NO.	MOLEX INCORPORATED SD-78213-003 1 OF 3		
					SIZE: A3	THIS DRAWING CONTAINS INFORMATION THAT IS PROPRIETARY TO MOLEX INCORPORATED AND SHOULD NOT BE USED WITHOUT WRITTEN PERMISSION				

9 8 7 6 5 4 3 2 1



PIN NUMBER ASSIGNMENT
BASED ON HEADER SIDE:
A1, B1 ON THE LEFT,
A2, B2 ON THE RIGHT.



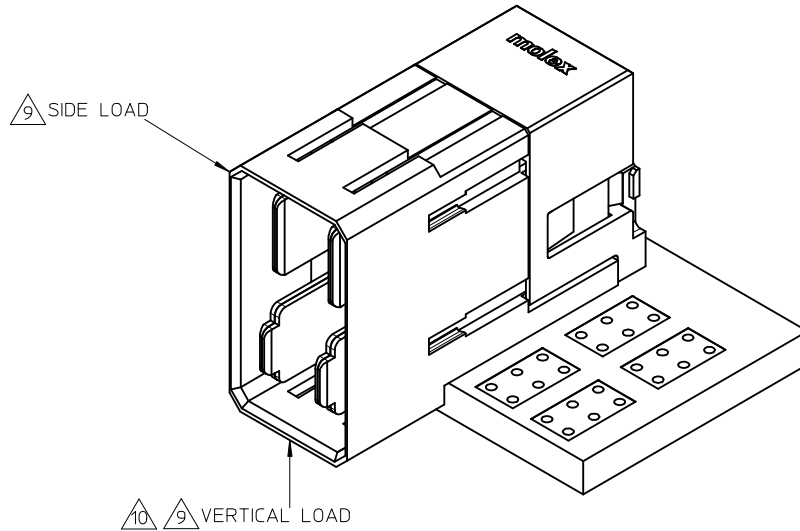
RECOMMENDED PCB LAYOUT
(COMPONENT SIDE SHOWN)
MINIMUM BOARD THICKNESS: 1.60mm
RECOMMENDED BOARD THICKNESS: 2.80mm

ADD VIEW EC NO: S2014-0872 DRWN: SHONG CHKD: HICGOH APPR: SHILENI 2015/01/09 2015/01/09 2015/04/07	QUALITY SYMBOLS ▽=0 ◻=0	GENERAL TOLERANCES (UNLESS SPECIFIED)		DIMENSION STYLE MM ONLY		SCALE NTS	DESIGN UNITS METRIC	THIRD ANGLE PROJECTION		
			mm	INCH	DRAWN BY	DATE	TITLE			
		4 PLACES	± ---	± ---	LNG	2007/11/02	IMPACT POWER, 4 PAIR RIGHT ANGLE HEADER PRESS-FIT			
		3 PLACES	± ---	± ---	CHECKED BY	DATE				
2 PLACES	± 0.25	± ---	APPROVED BY	DATE	MOLEX INCORPORATED					
1 PLACE	± ---	± ---	SHONG	2008/01/11						
ANGULAR ± 3 °		DRAFT WHERE APPLICABLE MUST REMAIN WITHIN DIMENSIONS		SEE TABLE		DOCUMENT NO.		SHEET NO.		
				MATERIAL NO.		SD-78213-003		2 OF 3		
				THIS DRAWING CONTAINS INFORMATION THAT IS PROPRIETARY TO MOLEX INCORPORATED AND SHOULD NOT BE USED WITHOUT WRITTEN PERMISSION						

10	9	8	7	6	5	4	3	2	1
PART NUMBER	P1 (APPLIES TO B1 & B2)	P2 (APPLIES TO A1 & A2)	PLATING OPTIONS	PACKAGING					
78213-1011	6.90	6.90	TIN PLATING	TRAY					
78213-1022	5.70	5.70							
78213-1033	6.90	5.70							
78213-1044	5.70	6.90							

NOTES:

1. MATERIAL:
HOUSING - LCP, GLASS FILLED, UL94-V0, COLOR: BLACK
POWER PIN - COPPER ALLOY
2. FINISH OPTION:
TIN - 0.76µm MINIMUM GOLD AT CONTACT AND
2.54µm MINIMUM TIN AT SOLDER TAIL AREA OVER
1.27µm MINIMUM NICKEL UNDERPLATE OVERALL.
3. PRODUCT SPECIFICATION: PS-78213-001.
4. KEEP OUT ZONE FROM OTHER COMPONENTS.
5. PCB NOTE FOR DIAMETER 0.725mm PLATED HOLE.
- DRILLED HOLE SIZE IS 0.838mm
- PLATED WITH 0.007mm MIN. TIN OVER
0.03 TO 0.08mm COPPER UNDERPLATE TO ACHIEVE
0.725±0.075mm HOLE.
SEE SHEET 2 FOR RECOMMENDED PCB LAYOUT.
6. MATES WITH 78214-****.
7. PART NUMBER AND DATE CODE (YYDDD) APPROXIMATELY SHOWN.
8. REFER TO SERIES 76155 & 76160 FOR SIGNAL MODULES.
9. CONNECTOR-TO-PCB RETENTION FORCE SHALL WITHSTAND A VERTICAL AND SIDE LOAD OF 3KGF AND 4KGF MAXIMUM RESPECTIVELY.
10. FOR APPLICATION USING LESS THAN 2.80MM PCB THICKNESS, DO NOT PLACE PCBA (ASSEMBLED WITH CONNECTOR) ON A FLAT SURFACE. THIS IS TO PREVENT EXERTING VERTICAL LOAD (WEIGHT OF PCBA) ON CONNECTOR OVERHANG.
11. FOR APPLICATION THAT REQUIRES MORE CONNECTOR-TO-PCB RETENTION FORCE, PLEASE CONTACT MOLEX SALE TECHNICAL PERSONNEL FOR RECOMMENDATION.



SEE SHEET 2 EC NO: S2014-0872 DRWN: SHONG CHKD: HCGOH APPR: SILENI	2015/01/09 2015/01/09 2015/04/07	DESCRIPTION REV	QUALITY SYMBOLS	GENERAL TOLERANCES (UNLESS SPECIFIED)	DIMENSION STYLE	SCALE	DESIGN UNITS	THIRD ANGLE PROJECTION		
			▽=0 ∇=0	mm INCH	MM ONLY	NTS	METRIC	□		
				4 PLACES ± --- ± --- 3 PLACES ± --- ± --- 2 PLACES ± 0.25 ± --- 1 PLACE ± --- ± ---	DRAWN BY DATE LNG 2007/11/02	TITLE	IMPACT POWER, 4 PAIR RIGHT ANGLE HEADER PRESS-FIT			
				ANGULAR ± 3 °	CHECKED BY DATE KWLOKE 2008/01/11	MOLEX INCORPORATED				
			DRAFT WHERE APPLICABLE MUST REMAIN WITHIN DIMENSIONS	SEE TABLE	MATERIAL NO.	DOCUMENT NO.	SHEET NO.			
A4					A3	THIS DRAWING CONTAINS INFORMATION THAT IS PROPRIETARY TO MOLEX INCORPORATED AND SHOULD NOT BE USED WITHOUT WRITTEN PERMISSION				