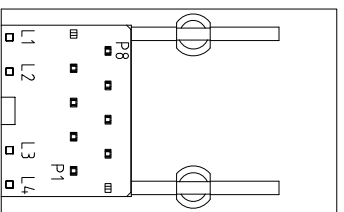
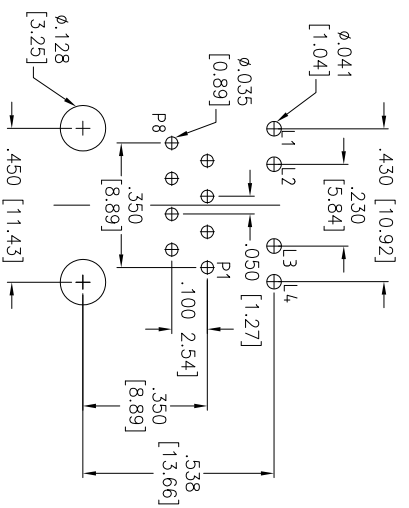
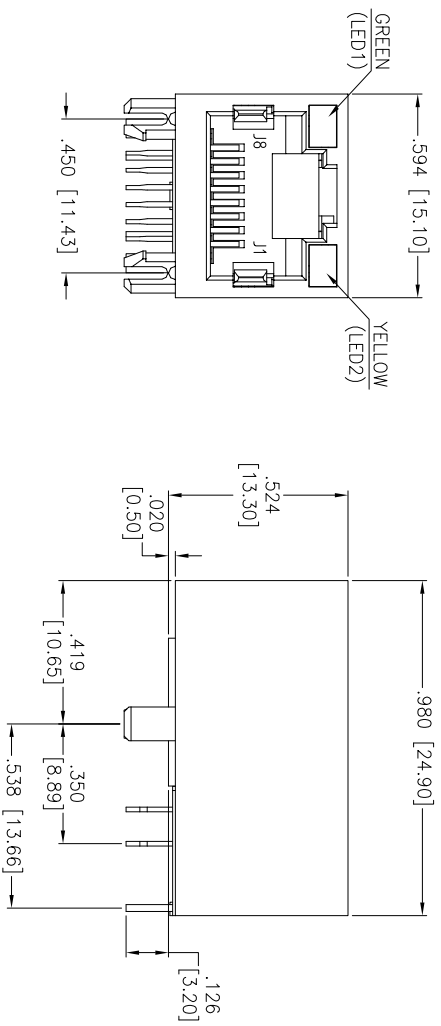


Rev	AWO #	Description	Date	Appr
-		RELEASED	8/16/13	

APPROVED: _____
 DATE: _____ TITLE: _____



X	PLATING
0	15 μ m Gold
1	30 μ m Gold
2	50 μ m Gold

SPECIFICATIONS:

Material: Insulator: Hi-Temp Thermoplastic, rated UL 94V-0
 Insulator color: Black
 Contacts: Phosphor Bronze
 Contact Plating: Gold Flash over Nickel underplate on contact area, Tin over Copper underplate on tails
 (See chart for thickness).
 Electrical: Contact Resistance: 30 mohms max. initial
 Insulation resistance: 500 Mohms min @ 500 VDC
 Dielectric withstanding voltage: 1,500 VAC for 1 minut
 Temperature Rating: Operating temperature: 0°C to +70°C
 Environmental: Lead free, RoHS compliant.

UNLESS OTHERWISE SPECIFIED
 ALL DIMENSIONS ARE INCHES [MM]
 TOLERANCES: EXCEPT AS NOTED
 INCHES HOLES
 .X ± .10 Ø.X ± .10
 .XX ± .020 Ø.XXX ± .015
 .XXX ± .015 Ø.XXXX ± .010

APPROVALS	DATE
DRAWN AY	8/16/13
CHECKED AL	8/16/13
APPROVED	

ADAM TECH
 909 Rahway Avenue, Union, NJ 07083
 Phone: 908-687-5000 Fax: 908-687-5710

TITLE	MODULAR JACK, 1 PORT, 8P8C
W/LED1 GREEN, LED2 YELLOW	
SIZE	PART NO.
X	MTJ-88SX1-LH-M204-HT
REF: S00167T	SCALE: NTS
SHEET 1 OF 2	REV.

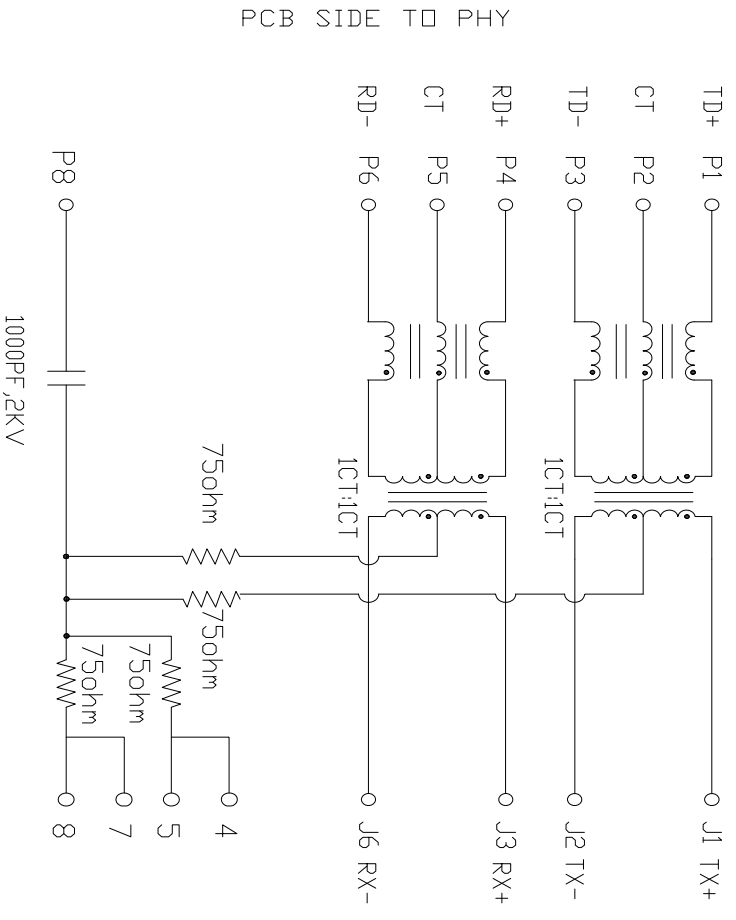


Rev	AWO #	Description	Date	Appr
		SEE SHT 1 OF 2 FOR REVISION		

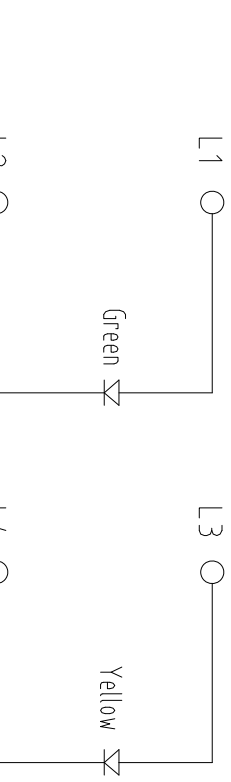
APPROVED: _____

DATE: _____ TITLE: _____

PCB SIDE TO PHY



CABLE SIDE



SPECIFICATIONS:

Material:

1. Turn Ratio: P1-P3:J1-J2=1:1(±3%)
P4-P6:J3-J6=1:1(±3%)
2. Primary Inductance: 350µH Min. @100kHz, 0.1Vrms, 8mA DC BIAS
3. Hi-POT TEST: (P1-P3)-(J1-J2) 1500Vrms AC
(P4-P6)-(J3-J6) 1500Vrms AC
4. TRANSMITTER FILTER
(Type: Balance Low Pass 100 Ohm Impedance Norm)
Insertion Loss: 1~100 MHz -1.1dB MAX
Return Loss: 1~30 MHz -18dB MIN
30~60 MHz -14dB MIN
60~80 MHz -35dB MIN
5. CROSS TALK: 0.5~40 MHz -35-20LOG(f/50)dB MIN
40~100 MHz -33-20LOG(f/50)dB MIN
6. CM TO CM REJECTION: 0.5~100 MHz -30dB MIN

A

B

C

D

ADAM TECH
 909 Rahway Avenue, Union, NJ 07083
 Phone: 908-687-5000 Fax: 908-687-5710

TITLE: MODULAR JACK, 1 PORT, 8P8C
 W/LED1 GREEN, LED2 YELLOW

UNLESS OTHERWISE SPECIFIED ALL DIMENSIONS ARE INCHES [MM]	
TOLERANCES: EXCEPT AS NOTED	
INCHES	HOLES
.X ± .10	Ø.X ± .10
.XX ± .020	Ø.XX ± .015
.XXX ± .015	Ø.XXX ± .010
APPROVALS	DATE
DRAWN AY	8/16/13
CHECKED AL	8/16/13
APPROVED	

SIZE	PART NO.	REV.
X	MTJ-88SX1-LH-M204-HT	-
REF:	S00167T	SCALE: NTS
		SHEET 2 OF 2