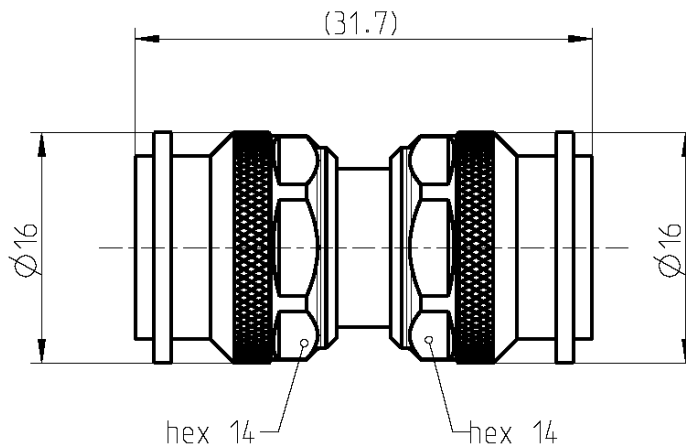
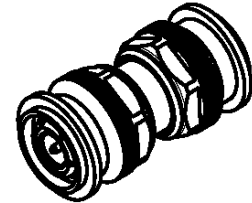


TNC 50 Ω

Adaptor
Plug – Plug

56S101-S00N5



All dimensions are in mm; tolerances according to ISO 2768 m-H

Interface

According to IEC 60169-17, MIL-PRF-39012, DIN EN 122200

Documents

N/A

Material and plating

Connector parts

Center contact
Outer contact
Body
Dielectric
Gasket

Material

Brass
Brass
Brass
PTFE
NeopreneCR 50C6

Plating

AuroDur®, gold plated
Flash white bronze over silver(e.g. Optargen®)
Flash white bronze over silver(e.g. Optargen®)

TNC 50 Ω

Adaptor
Plug – Plug

56S101-S00N5

Electrical data

Impedance 50 Ω
 Frequency DC to 10 GHz
 Return loss ≥ 30 dB, DC to 1 GHz
 ≥ 28 dB, 1 to 2 GHz
 ≥ 18 dB, 2 to 4 GHz
 Insertion loss ≤ 0.05 x √ f [GHz] dB, DC to 4 GHz
 Insulation resistance ≥ 5 GΩ
 Center contact resistance ≤ 1.5 mΩ
 Outer contact resistance ≤ 1 mΩ
 Test voltage 1500 V rms
 Working voltage 500 V rms
 Power handling (at 20 °C, sea level, VSWR 1.0) ≤ 80 W @ 2 GHz

Mechanical data

Mating cycles ≥ 500
 Center contact captivation: axial ≥ 15 N
 Coupling test torque ≤ 1.7 Nm
 Recommended torque 0.46 Nm to 0.69 Nm

Environmental data

Temperature range -65 °C to +165 °C
 Thermal shock MIL-STD-202, Method 107, Condition B
 Corrosion MIL-STD-202, Method 101, Condition B
 Vibration MIL-STD-202, Method 204, Condition B
 Shock MIL-STD-202, Method 213, Condition G
 Moisture resistance MIL-STD-202, Method 106
 Degree of protection (mated pair) IEC 60529, IP63
 RoHS compliant

Tooling

N/A

Suitable cables

N/A

Weight

Weight 26.4 g/pce

While the information has been carefully compiled to the best of our knowledge, nothing is intended as representation or warranty on our part and no statement herein shall be construed as recommendation to infringe existing patents. In the effort to improve our products, we reserve the right to make changes judged to be necessary.

For the installation of the electrotechnical equipment, particular electrotechnical expertise is required.



Draft	Date	Approved	Date	Rev.	Engineering change number	Name	Date
Inge Mühlauer	08.09.04	Chr. Janßen	01.02.21	e00	20-1927	S. Huber-Siegl	01.02.21

Rosenberger Hochfrequenztechnik GmbH & Co. KG P.O.Box 1260 D-84526 Tittmoning Germany www.rosenberger.com				Tel. : +49 8684 18-0 Email : info@rosenberger.com		Page 2 / 2
--	--	--	--	--	--	---------------