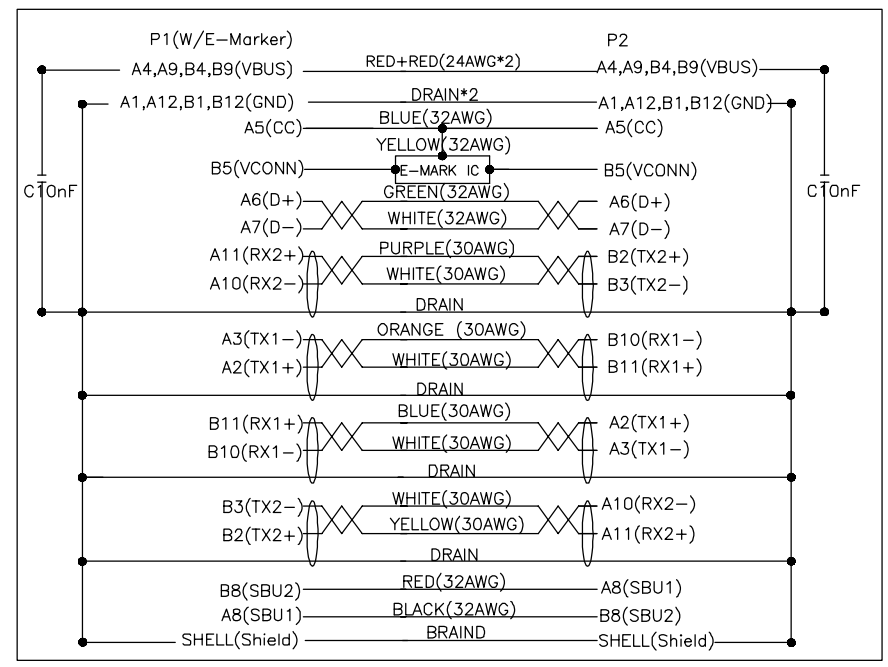


PIN OUT:



PART NO.	LENGTH
105-1042-BL-00050	L=500±30
105-1042-BL-00100	L=1000±50
105-1042-BL-00150	L=1500±50
105-1042-BL-00200	L=2000±60

- NOTE:
- 1.OPEN/SHORT/INTERMITTENCE: 100%
 - 2.HI-POT: 50V AC/0.01S 50V DC/0.01S
 - 3.INSULATION RESISTANCE: 10M OHM (MIN)
 - 4.CONDUCTIVE RESISTANCE: 3 OHM (MAX)
 - 5.CAPACITANCE DETECTION: 10nF±20% BETWEEN A1 AND A4

ITEM	PART NO.	DESCRIPTION	Q'TY
1	CABLE	2725 (30AWGX1P+EAM)*4+(32AWGX1P+AM)+32AWGX4C+24AWG(7/0.20)X2C+E+AEB85%	A/R
2	TYPE C/M	USB3.1 TYPE C/M PIN 30U" C1=10nF±20% INSULATOR BLACK,NICKEL PLATED SHELL	1
3	TYPE C/M	USB3.1 TYPE C/M PIN 30U" WITH IC C1=10nF±20% INSULATOR BLACK NICKEL PLATED SHELL	1
4	PVC	55P PVC MOLDING COLOR:BLACK	A/R

A	23-Mar-2021		
REV	DATE	FILE	BY

DRAWN: _____

CHECKED: _____

APPROVAL: _____

GENERAL TOLERANCE:
 .X=±0.20
 .XX=±0.15

UNIT: MM
 SCALE:1:1
 SHEET: 1 / 1
 PROJECTION:

CnC Tech

Industrial Cable and Connector Technology

DESCRIPTION: USB3.1 TYPE C TO USB3.1 TYPE C CABLE	SIZE A4
PART NO: 105-1042-BL-00XXX-1	