

# Electronic device circuit breaker - CB E1 24DC/1A S-R P - 2800908

Please be informed that the data shown in this PDF Document is generated from our Online Catalog. Please find the complete data in the user's documentation. Our General Terms of Use for Downloads are valid (<http://download.phoenixcontact.com>)



Electronic device circuit breaker, 1-pos., active current limitation, status output and reset input, plug for base element.

## Why buy this product

- ✓ Compact design with precise nominal current levels
- ✓ Modular expansion possible thanks to the uniform, plug-in housing concept
- ✓ Sophisticated remote signaling concept enables monitoring from any location
- ✓ The reset input can be switched by means of remote control
- ✓ Active current limitation, even when switching capacitive loads
- ✓ Supply/remote signaling can be bridged with CLIPLINE complete accessories



## Key commercial data

Packing unit	0
Minimum order quantity	1
GTIN	 4 046356 690850
Custom tariff number	85363010
Country of origin	GERMANY

## Technical data

### General

Installation instructions	When mounted in rows without convection cooling, the nominal device current should only be led to a maximum of 80% due to the thermal effect during continuous operation (100% operating factor). Special precautionary measures must be taken in systems or machines, to prevent components from restarting (e.g., use of a safety PLC). Parallel connection of multiple circuit breakers is not permitted.
Height	45 mm
Width	12.3 mm
Depth	52 mm
Höhe Kompletmodul	90 mm
Breite Kompletmodul	12.3 mm

# Electronic device circuit breaker - CB E1 24DC/1A S-R P - 2800908

## Technical data

### General

Tiefe Komplettdmodul	77.3 mm
Ambient temperature (operation)	0 °C ... 50 °C (without condensation)
Ambient temperature (storage/transport)	-20 °C ... 70 °C
Degree of protection	IP30 (Actuation area)
Mounting type	On base element
Color	gray
Number of positions	1
Pollution degree	2
Design	Male

### Technical data

Fuse type	Electronic
Rated surge voltage	0.5 kV
Operating voltage	24 V DC
Operating voltage	18 V DC ... 30 V DC
Nominal current $I_N$	1 A
Kontaktart des Hilfskontaktes	potenzialfreier Signalkontakt
Tripping method	E (electronic)
Required backup fuse	(not required, integrated failsafe element)
Dielectric strength	max. 30 V DC (Load circuit)
Voltage drop	140 mV (at $I_N$ )
Switch off	typ. $1.25 \times I_N$
Current limitation	active
Contact type	Without electrical isolation
Closed circuit current $I_0$	Typ. 8 mA (When switched on)
Closed circuit current $I_0$	Typ. 11 mA (With status output)

### Standards

Standard - Electrical safety	UL 508
Standard - Electrical safety	CSA 22.2 No. 14
Standard - Electrical safety	EMV EN 61000-6-3 Noise emission
Standard - Electrical safety	EMV EN 61000-6-2 Noise immunity

## Classifications

### ETIM

ETIM 3.0	EC000899
ETIM 4.0	EC000899
ETIM 5.0	EC000899

### UNSPSC

UNSPSC 11	39121411
UNSPSC 12.01	39121411
UNSPSC 13.2	39121411

# Electronic device circuit breaker - CB E1 24DC/1A S-R P - 2800908

## Classifications

### UNSPSC

UNSPSC 6.01	30211812
UNSPSC 7.0901	39121411

### eCl@ss

eCl@ss 4.0	27141116
eCl@ss 4.1	27141116
eCl@ss 5.0	27141116
eCl@ss 5.1	27141116
eCl@ss 6.0	27141116
eCl@ss 7.0	27141116

## Accessories

### Accessories

#### Bridges

Plug-in bridge - FBS 2-6 - 3030336



Plug-in bridge, Number of positions: 2, Color: red

Plug-in bridge - FBS 3-6 - 3030242



Plug-in bridge, Number of positions: 3, Color: red

Plug-in bridge - FBS 4-6 - 3030255



Plug-in bridge, Number of positions: 4, Color: red

## Electronic device circuit breaker - CB E1 24DC/1A S-R P - 2800908

### Accessories

Plug-in bridge - FBS 5-6 - 3030349



Plug-in bridge, Number of positions: 5, Color: red

---

Plug-in bridge - FBS 10-6 - 3030271



Plug-in bridge, Number of positions: 10, Color: red

---

Plug-in bridge - FBS 20-6 - 3030365



Plug-in bridge, Number of positions: 20, Color: red

---

Plug-in bridge - FBS 50-6 - 3032224



Plug-in bridge, Number of positions: 50, Color: red

---

### Marking

Zack Marker strip, flat - ZBF 12:UNBEDRUCKT - 0809735



Zack Marker strip, flat, Strip, white, Unlabeled, Can be labeled with: Plotter, Mounting type: Snap into flat marker groove, For terminal block width: 12 mm, Lettering field: 5.15 x 12.15 mm

---

## Electronic device circuit breaker - CB E1 24DC/1A S-R P - 2800908

### Accessories

Zack Marker strip, flat - ZBF 12 CUS - 0825018



Zack Marker strip, flat, Can be ordered: Strip, white, Labeled according to customer specifications, Mounting type: Snap into flat marker groove, For terminal block width: 12 mm, Lettering field: 5.15 x 12.15 mm

---

### Tools

Cable-cutting tool - CUTFOX-FBS - 1212124



Cutting tool, for separating individual jumper bars from FBS ... plug-in bridges and EB ... insertion bridges

---

Jumper - CB PT BRIDGE - 2801014



Bridge plugs for the CB 1/6-2/4 PT-BE base element

---

### Additional products

Base element - CB 1/6-2/4 PT-BE - 2800929



Base element with push-in connection technology for CB ... device circuit breakers

---

### Drawings

# Electronic device circuit breaker - CB E1 24DC/1A S-R P - 2800908

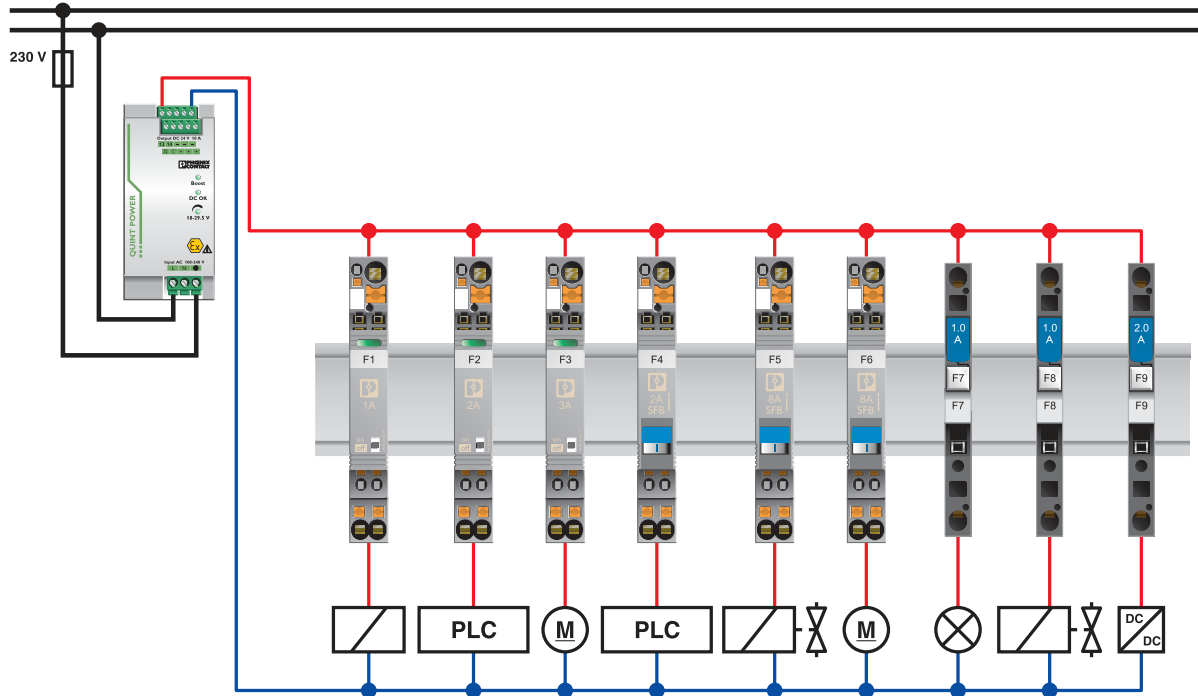
Diagram



Trigger characteristic

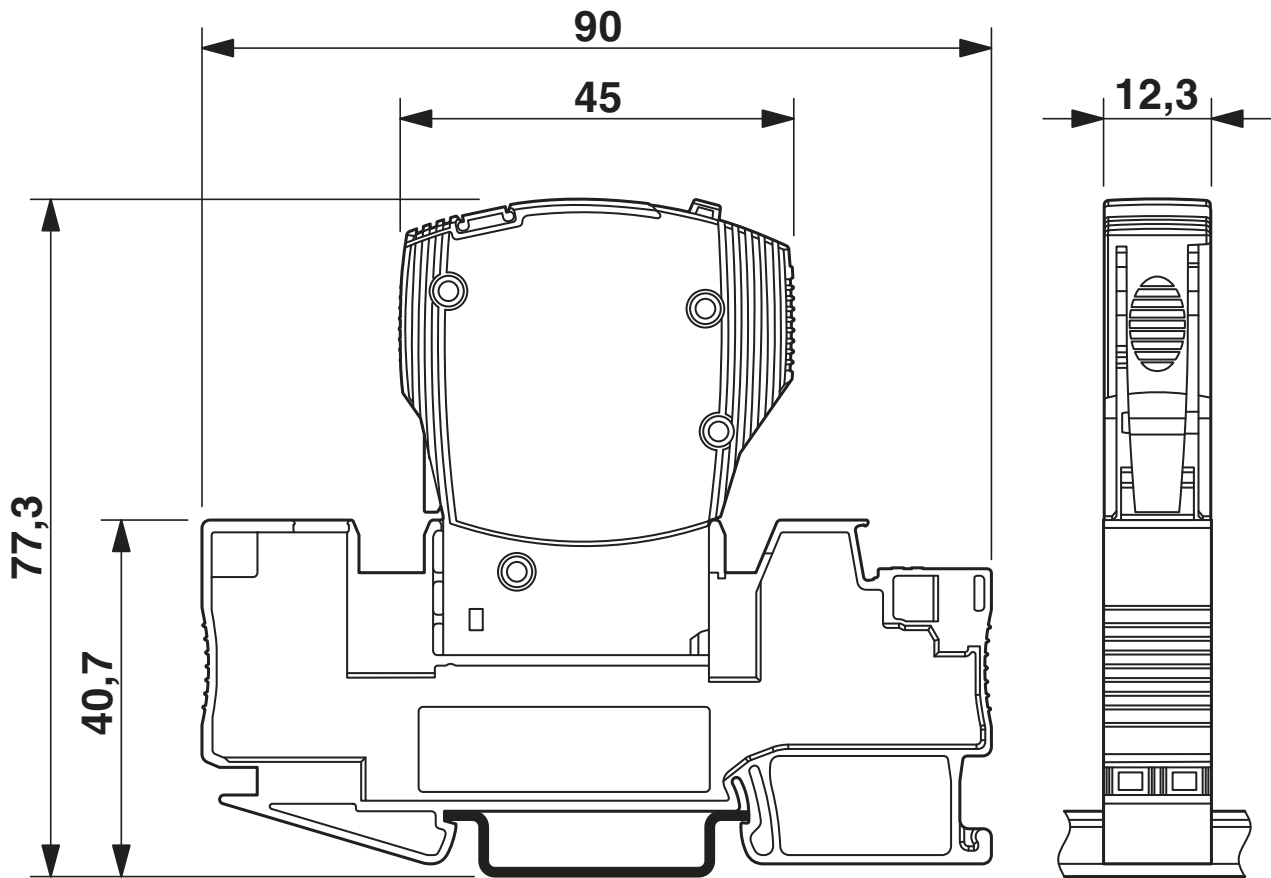
# Electronic device circuit breaker - CB E1 24DC/1A S-R P - 2800908

Application drawing



# Electronic device circuit breaker - CB E1 24DC/1A S-R P - 2800908

Dimensioned drawing



The figure shows the complete module consisting of a base element and connector





---

© Phoenix Contact 2012 - all rights reserved  
<http://www.phoenixcontact.com>