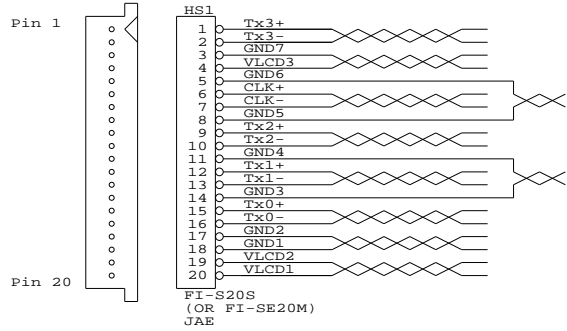
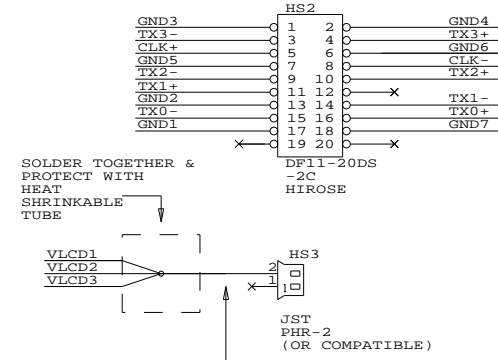


TOLERANCE:  
+1.0mm  
-1.0mm

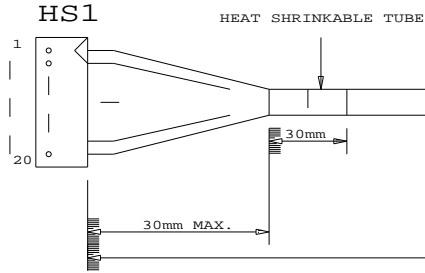


PANEL SIDE



CABLE: UL1007 AWG24 RED

JAE  
FI-S20S



CABLE TIE WITH  
"P/N 426476501-3" TAG

HEAT SHRINKABLE TUBE

HS2  
HIROSE  
DF11-20DS-2C

HS3  
JST  
PHR-2  
(OR COMPATIBLE)

LENGTH = 210mm +/- 10mm

CABLE: SHIELDED ROUND  
UL 20276, 10 PAIRS, 30AWG, L=210mm  
JACKET: PVC COLOR BLACK

USAGE:  
CABLE FOR NEC NL10276BC16-01 PANEL  
(WITH DM1000)

P/N 426476501-3  
LVDS PANEL CABLE: NEC NL10276BC16-01, 210mm (DM1000)

RoHS  
COMPLIANCE

DIGITAL VIEW LTD. COPYRIGHT 2009, ALL RIGHTS RESERVED CONFIDENTIAL		
DRAWN BY: VICTOR NG		
Title LVDS CABLE: NEC NL10276BC16-01, 210mm(DM1000)		
Size Document Number		
B	(...\DV\DV_CABLE\C6476501.SCH)	REV 00
Date:	June 8, 2009	Sheet 1 of 1