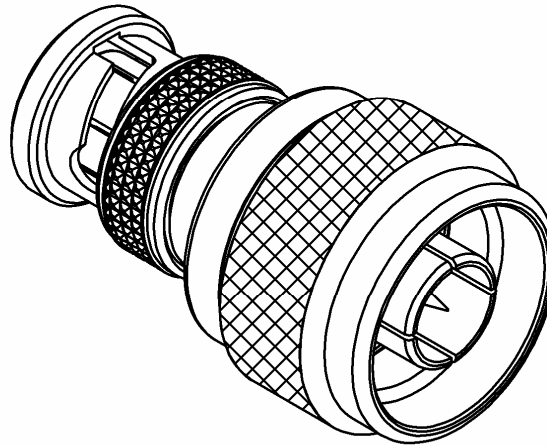
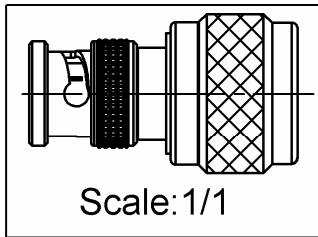
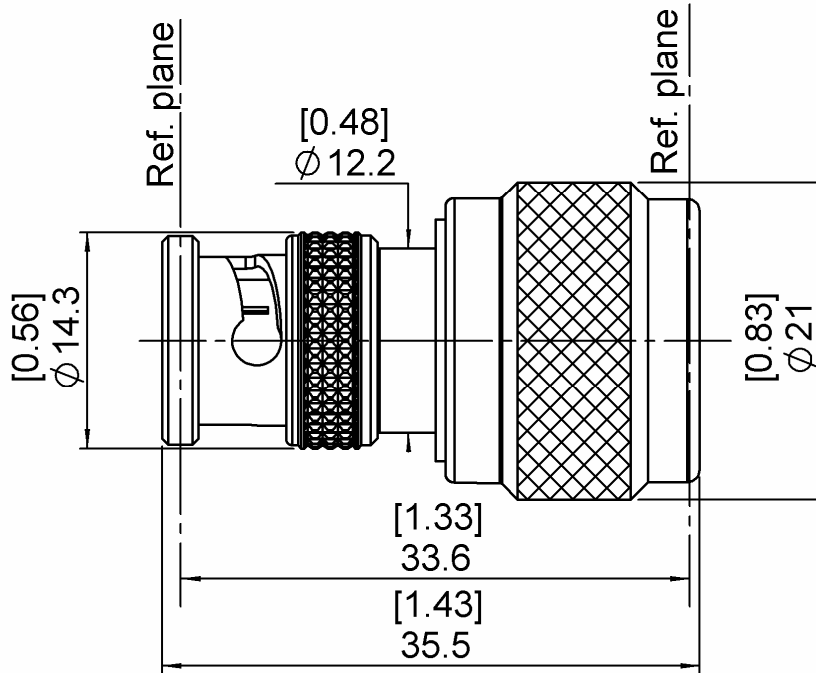


BNC 75 HDTV MALE-N MALE

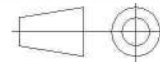
R192.417.010

STRAIGHT ADATER

Série : ADAPTER 75



All dimensions are in mm.



| COMPONENTS | MATERIALS | PLATING (µm) |
|----------------|-----------------|--------------|
| BODY | BRASS | BBR2 |
| CENTER CONTACT | BRASS | NPGR |
| OUTER CONTACT | BRASS | BBR2 |
| INSULATOR | PTFE | |
| GASKET | SILICONE RUBBER | |
| OTHERS PARTS | BRASS | BBR2 |
| - | - | - |
| - | - | - |

Issue : 1147 A

In the effort to improve our products, we reserve the rights to make changes judged to be necessary.



BNC 75 HDTV MALE-N MALE

R192.417.010

STRAIGHT ADATER

Série : ADAPTER 75

PACKAGING

SPECIFICATION

| Standard | Unit | Other |
|----------|------|-------------------|
| 1 | - | Contact us |

ELECTRICAL CHARACTERISTICS

ENVIRONMENTAL

| | | |
|---------------------------------|---------------|------------------------------|
| Impedance | | 75 Ω |
| Frequency | | 0-6 GHz |
| VSWR | 1.03 + | 0,0200 x F(GHz) Maxi |
| Insertion loss | | 0.1 √F(GHz) dB Maxi |
| RF leakage | - (| 55* - F(GHz)) dB Maxi |
| Voltage rating | | 500 Veff Maxi |
| Dielectric withstanding voltage | | 1500 Veff mini |
| Insulation resistance | | 5000 MΩ mini |

| | |
|---------------|---------------------|
| Operating | -55/+155 °C |
| Hermetic seal | NA Atm.cm3/s |
| Panel leakage | NA |

MECHANICAL CHARACTERISTICS

OTHER CHARACTERISTICS

| | | |
|----------------------------|--|---------------------|
| Center contact retention | | |
| Axial force – Mating end | | 15 N mini |
| Axial force – Opposite end | | 15 N mini |
| Torque | | NA N.cm mini |

*From 2 to 3 GHz

| | | |
|--------------------|--------------------|----------------|
| Recommended torque | | |
| Mating | BNC 75 HDTV | 0 N.cm |
| | N | 60 N.cm |
| | | 0 N.cm |
| Panel nut | | NA N.cm |

| | | |
|-------------|--|------------------------|
| Mating life | | 500 Cycles mini |
| Weight | | 36,2300 g |

Issue : 1147 A

In the effort to improve our products, we reserve the rights to make changes judged to be necessary.

