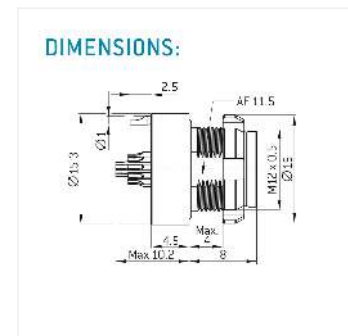
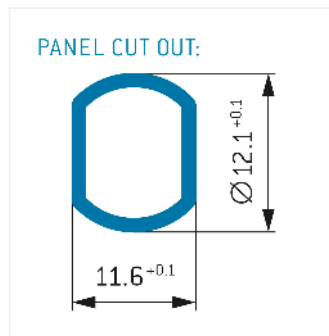
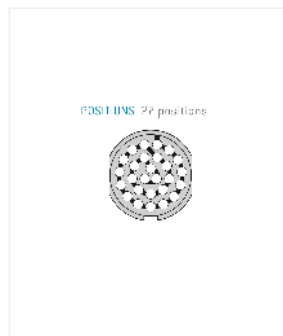
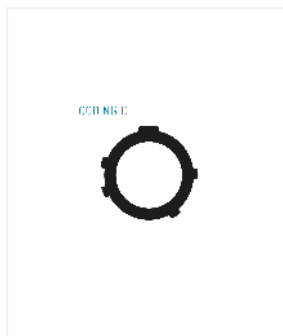


## General information

Part number	GK1WCM-P27WBCO-000L
Termination	solder
Size	1
Locking principle	break
Coding	c_key_amc
Cable Diameter	cable_amchd_1



## Contact insert description

Number of contacts	27
Contact type	sockets
Contact diameter	03mm
Insulator material	peek
Wire cross section	28_awg
Termination	solder
Data transmission	hdmi_13

reverse\_gender\_on\_request

## Technical information

Nominal current single contact	01_a	iec_60512_5_2
Test voltage	075_kv_dc	eia_364_20f

safety\_text

## Mechanical and environmental data

Degree of protection*	ipsk8_ip6k9k
Operating temperature	51_125_c
Mating cycles	5000

mated

## Material and surface treatments

<b>Housing</b>	ruthenium
<b>Contact</b>	cu_alloy_gold

data\_text

safety\_text\_2

data\_text

ul\_text

illustrative\_text