

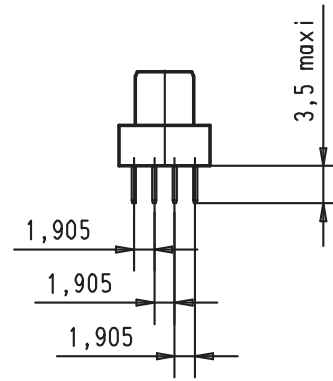
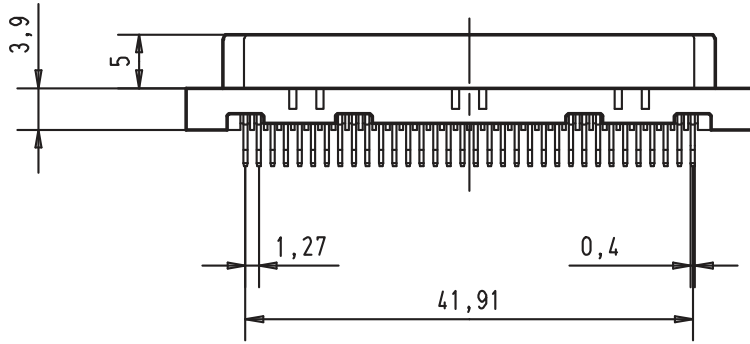
5

4

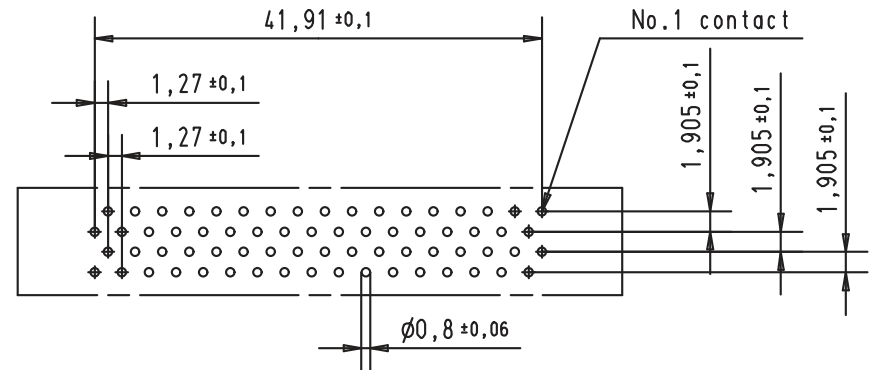
3

2

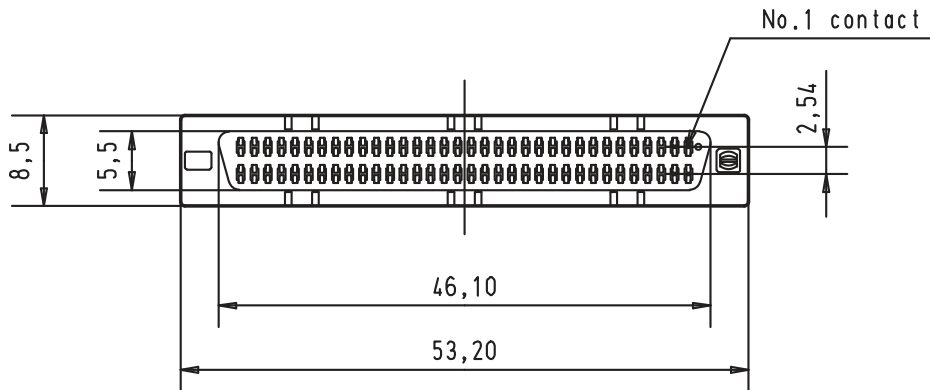
1



Printed Board Layout  
component side



layout holes for PCB 1.6 to 3.2 thick





D

C

B

A

				Dat.	Name	 All Dim. in mm Orig. Size DIN A 4	har.mik® I/O pin/socket S.C.S.1-3 68 poles female connector straight solder plastic version	Maßstab/ Scale  1.5:1
			Detail.	30-AUG-00	Atspace			
			Insp.					
			Stand.					
27941	30-AUG-00	Atspace	HARTING EURL F-95972 Paris				TB 60 05 068 5100	Blatt/ Page 1 / 1
Mod.	Dat.	Name	Sub.					