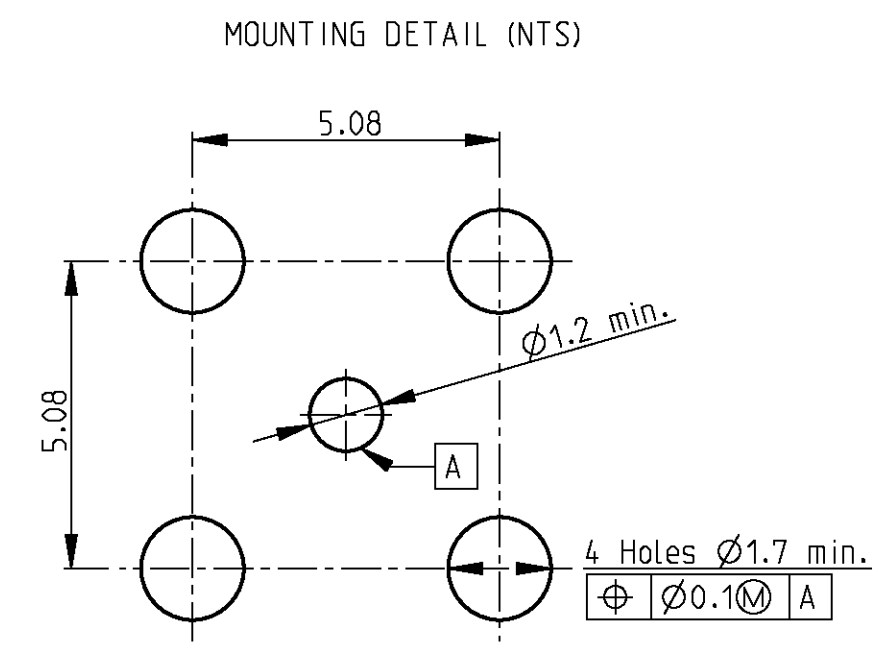
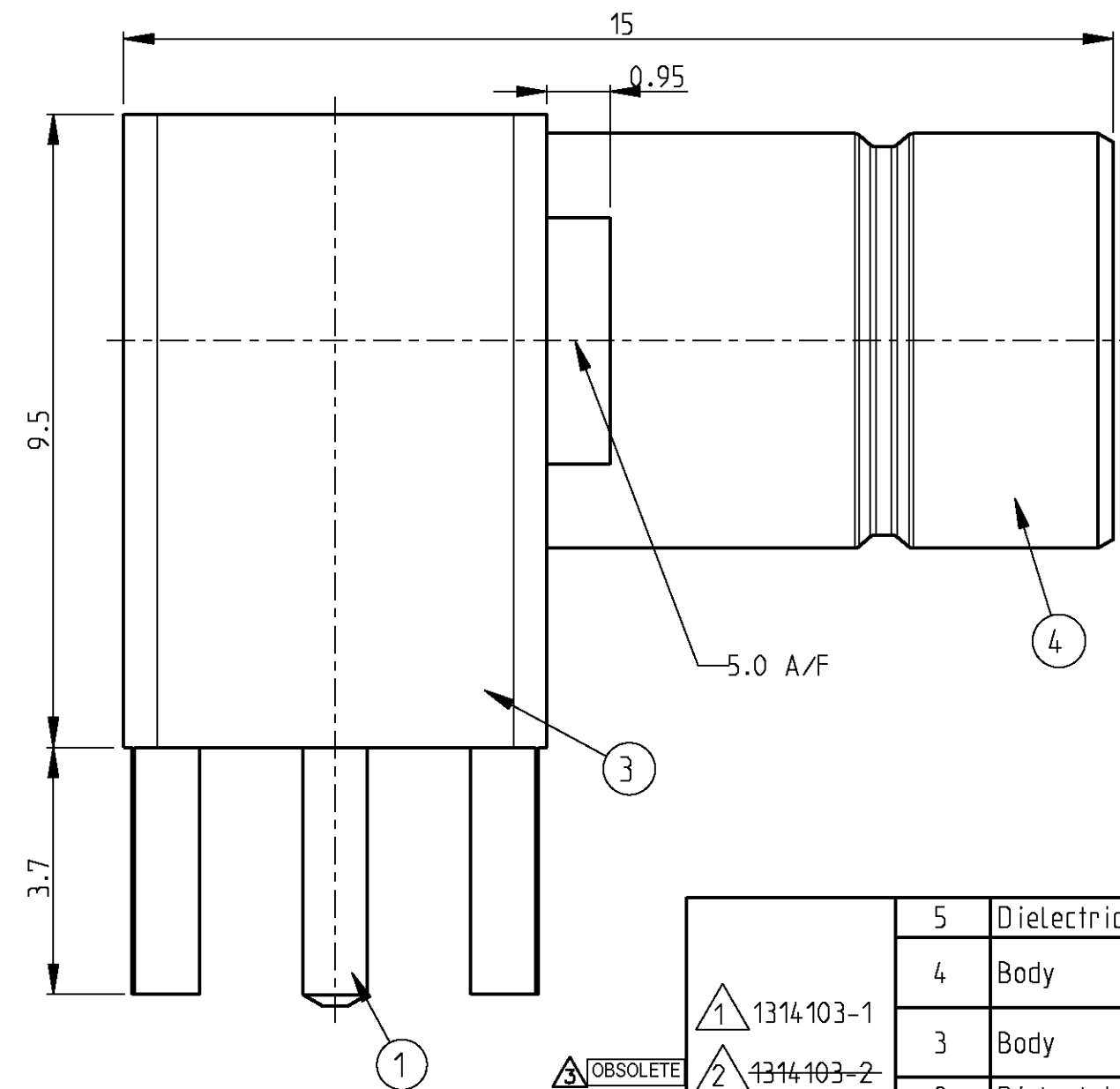
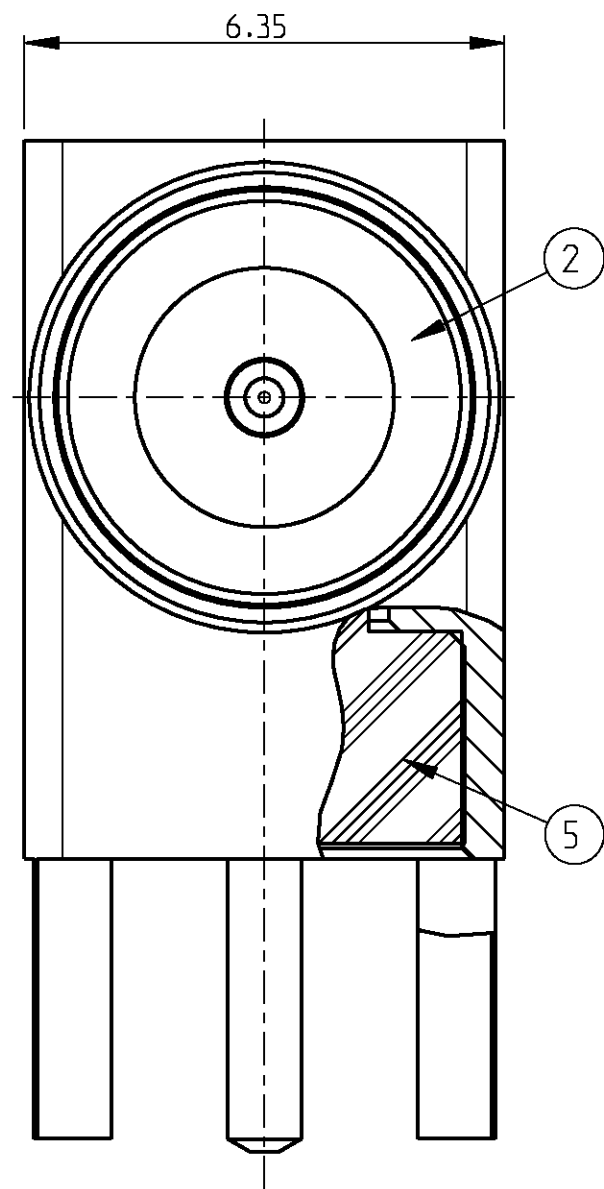


THIS DRAWING IS UNPUBLISHED. RELEASED FOR PUBLICATION  
 © COPYRIGHT - BY TYCO ELECTRONICS CORPORATION. ALL RIGHTS RESERVED.

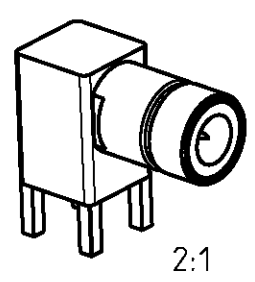
LOC	DIST	REVISIONS			
P	LTR	DESCRIPTION	DATE	DWN	APVD
IS	-	B	EC-SR10-0078-03	03OCT03	FH RL
		C	EC-SR10-0026-04	15MAR04	FH RL
		C1	ECR-06-013118	31MAY2006	AN DB
		C2	REVISED PER ECO-09-027197	08JAN10	KK AEG



Item	Description	Material	Plating	Qty
5	Dielectric	PTFE	None	1
4	Body	Brass	min. 0.2 μm Au over min. 2 μm min. Nip	1
3	Body	Brass	min. 0.2 μm Au over min. 2 μm min. Nip	1
2	Dielectric	PTFE	None	1
1	Center conductor	Brass	min. 0.2 μm Au over min. 2 μm min. Nip	1

**3** OBSOLETE

- 1 1314103-1
- 2 1314103-2



- 1 10 Jacks (pos. 1-3) packed in plastic bag from foil PN 1486591-2.  
10 plastic bags for each stripe.  
20 stripes packed in carton box PN 973058-3.
- 2 1 Jack (pos. 1-3) packed in plastic bag from foil PN 1486591-2.
- 3 OBSOLETE PARTS: OBSOLETE CIS STREAMLINING PER D.RENAUD/D.SINISI

THIS DRAWING IS A CONTROLLED DOCUMENT FOR TYCO ELECTRONICS CORPORATION  
 IT IS SUBJECT TO CHANGE AND THE CONTROLLING ENGINEERING ORGANIZATION  
 SHOULD BE CONTACTED FOR THE LATEST REVISION.

DWN	31JUL2001	<b>tyco</b> Electronics	Tyco Electronics CH - Switzerland - Lugano	
CHK	-		NAME BT43 90° Jack PCB Solder	
APVD	-	PRODUCT SPEC -		SIZE
APPLICATION SPEC	-	APPLICATION SPEC -		CAGE CODE
WEIGHT	-	WEIGHT -		DRAWING NO
MATERIAL		FINISH		RESTRICTED TO
-		-		A3 00779
-		-		©=1314103
-		-		SCALE 10:1
-		-		SHEET 1 OF 1
-		-		REV C2

CUSTOMER DRAWING