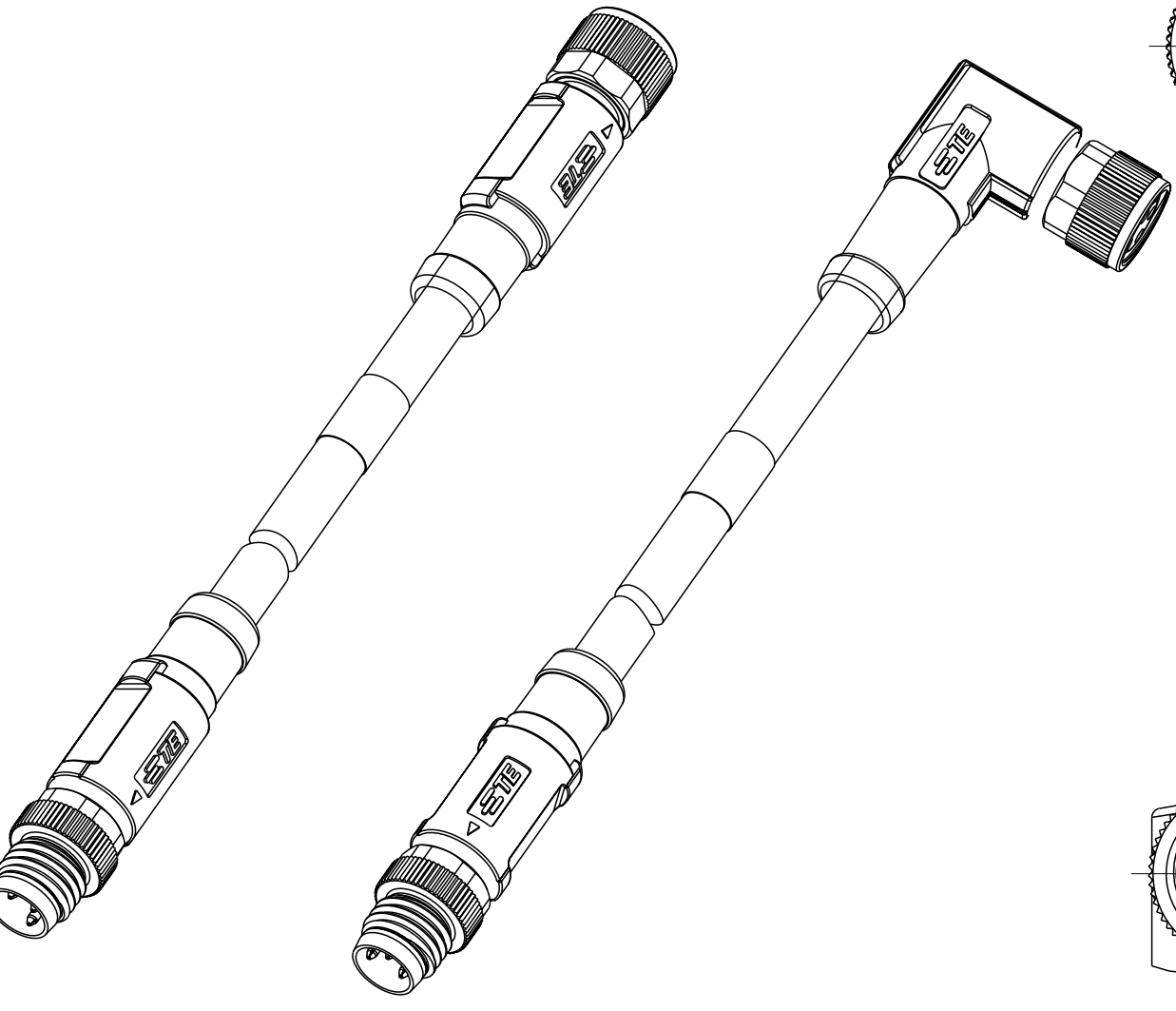
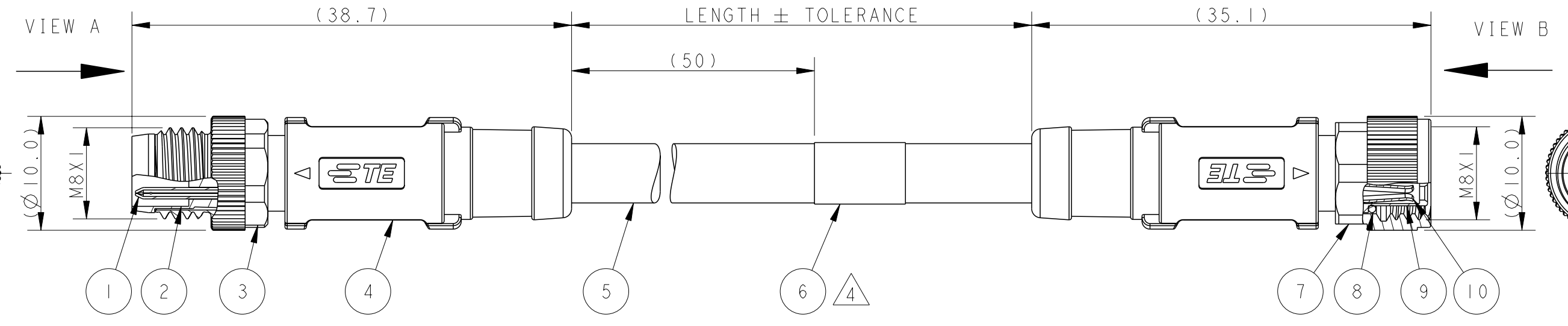


THIS DRAWING IS UNPUBLISHED. 2021 TE Connectivity. All Rights Reserved. RELEASED FOR PUBLICATION ALL RIGHTS RESERVED. COPYRIGHT

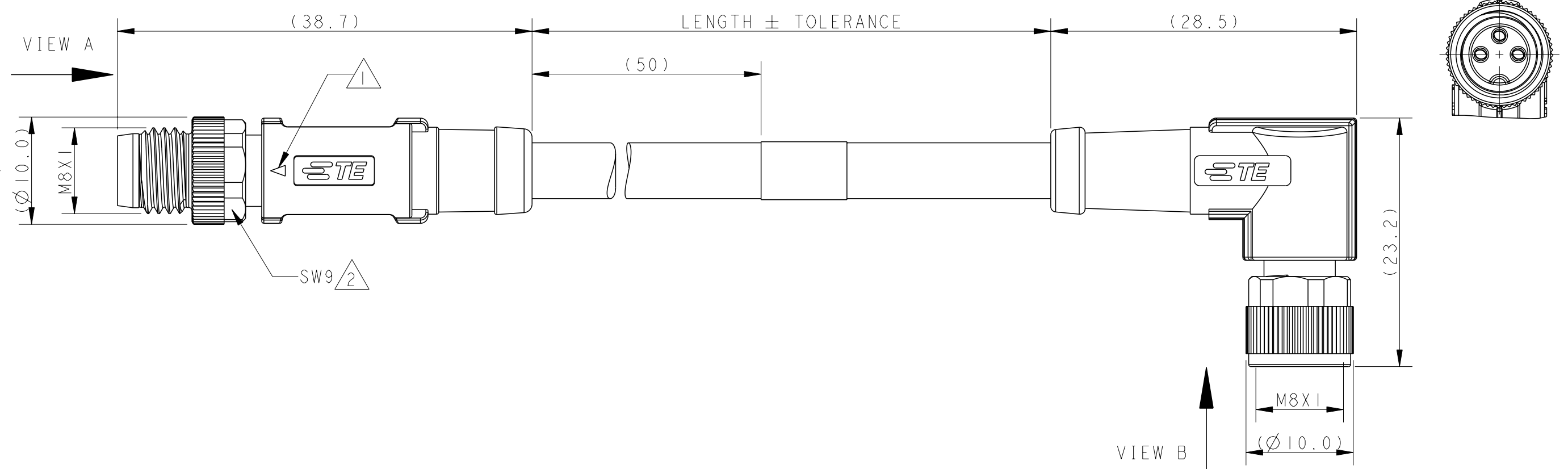
REVISIONS				
P	LTR	DESCRIPTION	DATE	APVD
	A	INITIAL RELEASE	28APR2021	BP CW

ITEM	DESCRIPTION	MATERIAL	OTHERS
1	MALE CONTACT	COPPER ALLOY	FLASH GOLD
2	MALE HOUSING	NYLON	BLACK
3	MALE NUT	COPPER ALLOY	NICKEL PLATED
4	OVER-MOLDING	POLYURETHANE	BLUE
5	CABLE	1=PVC 2=PUR	PVC:BLACK PUR:GRAY
6	LABEL	-	-
7	FEMALE NUT	COPPER ALLOY	NICKEL PLATED
8	O-RING	SILICONE	GRAY
9	FEMALE HOUSING	NYLON	BLACK
10	FEMALE CONTACT	COPPER ALLOY	FLASH GOLD

**(T40621X3\*) M8 ST MALE TO M8 ST FEMALE DOUBLE ENDED CABLE ASSEMBLY (Shielded)**



**(T40621X4\*) M8 ST MALE TO M8 R/A FEMALE DOUBLE ENDED CABLE ASSEMBLY (Shielded)**



PN	T40621X3003-XXX	T40621X3004-XXX
	T40621X4003-XXX	T40621X4004-XXX
VIEW A		
VIEW B		
WIRING DIAGRAM	PIN WIRE	PIN WIRE
	1 BROWN	1 BROWN
	2 ---	2 WHITE
	3 BLUE	3 BLUE
4 BLACK	4 BLACK	
STANDARD	ODING REQUIRED TO IEC 61076-2-104	

TECHNICAL DATA	T40621X3003-XXX	T40621X4003-XXX	T40621X3004-XXX	T40621X4004-XXX
RATED VOLTAGE	60V		30V	
RATED IMPULSE VOLTAGE	1500V		800V	
RATED CURRENT		3A		
POLLETION DEGREE		3		
OVERVOLTAGE CATEGORY		II		
MATERIAL GROUP		II		
DEGREE OF PROTECTION		IP67		

THIS DRAWING IS A CONTROLLED DOCUMENT.

DWN: BLAZE PENG 10APR2021  
 CHK: KEVIN HUANG 10APR2021  
 APVD: CHRIS WANG 10APR2021

**ENTRELEC**  
Electrical Solutions

NAME: M8 CABLE ASSEMBLY DOUBLE END SHIELDED

PRODUCT SPEC: 108-106140  
 APPLICATION SPEC: 114-137144-1

MATERIAL: TBD

WEIGHT: -

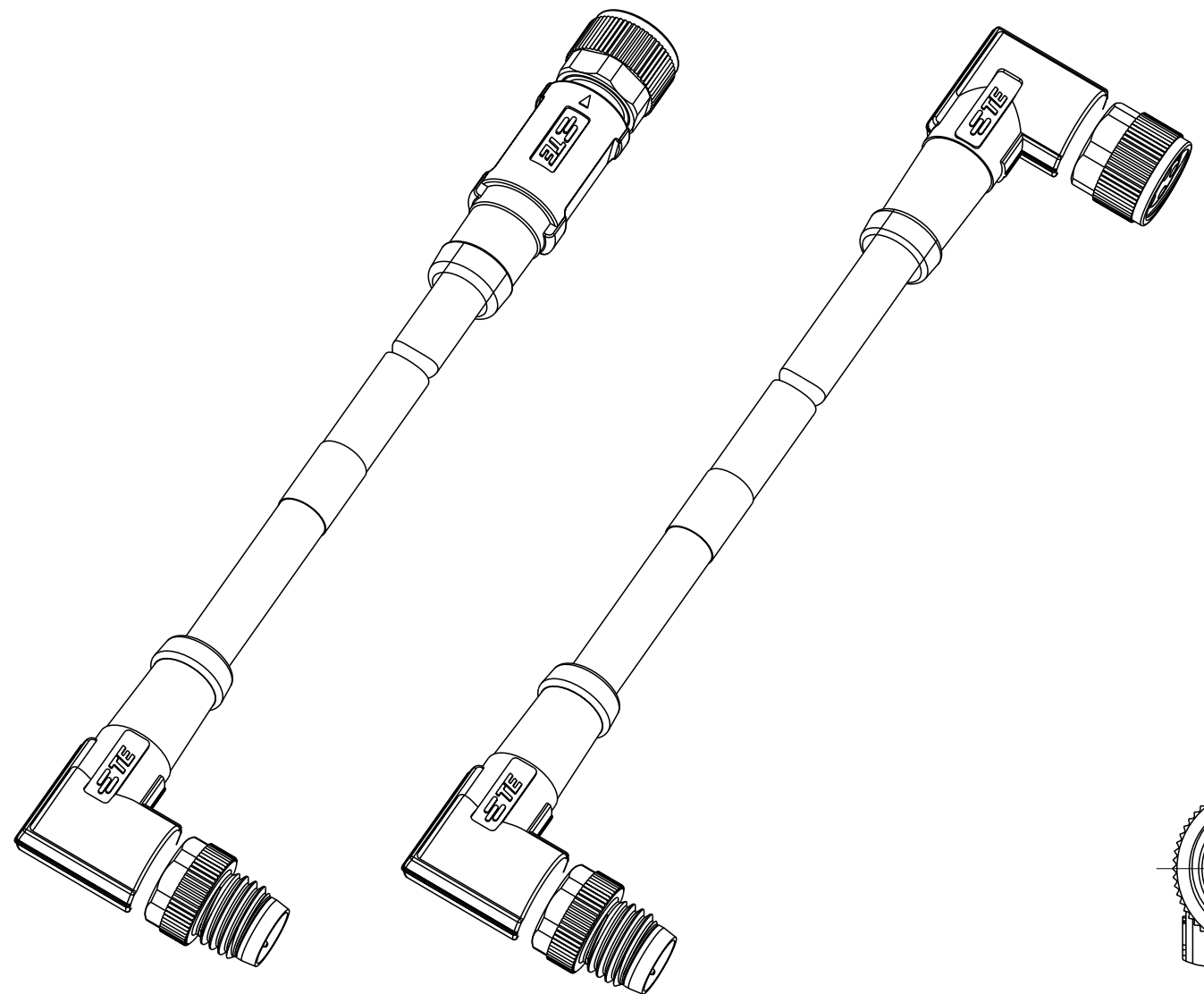
CUSTOMER DRAWING

SCALE: 1:1 SHEET 1 OF 3 REV A

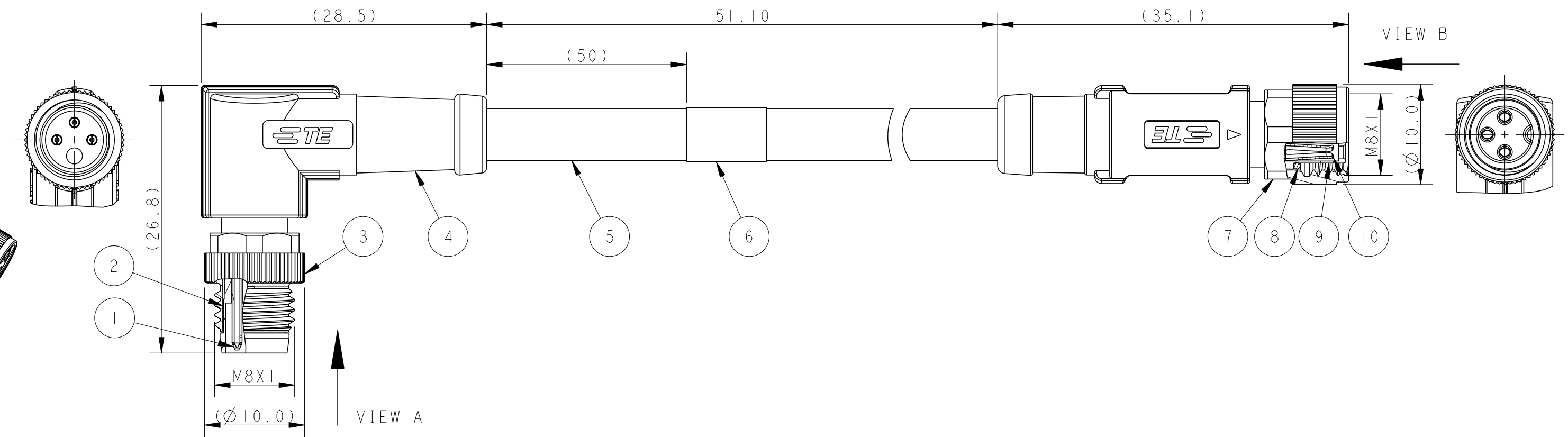
THIS DRAWING IS UNPUBLISHED. 2021 © Entelec. All Rights Reserved. RELEASED FOR PUBLICATION ALL RIGHTS RESERVED. COPYRIGHT

P	LTR	DESCRIPTION	DATE	DWN	APVD
		SEE SHEET 1			

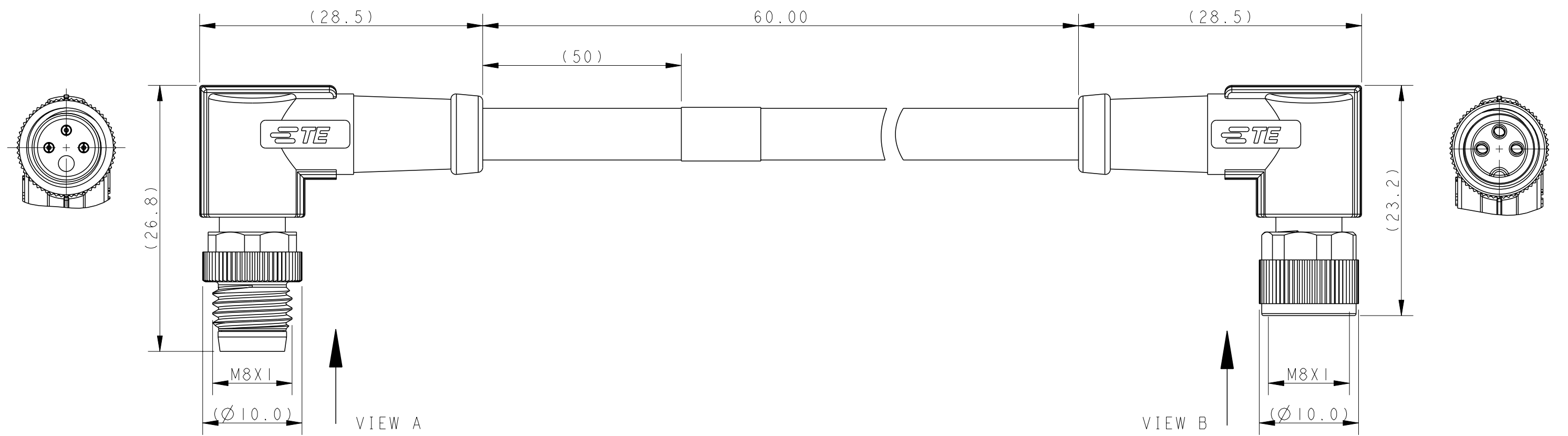
ITEM	DESCRIPTION	MATERIAL	OTHERS
1	MALE CONTACT	COPPER ALLOY	FLASH GOLD
2	MALE HOUSING	NYLON	BLACK
3	MALE NUT	COPPER ALLOY	NICKEL PLATED
4	OVER-MOLDING	POLYURETHANE	BLUE
5	CABLE	1=PVC 2=PUR	PVC:BLACK PUR:GRAY
6	LABEL	-	-
7	FEMALE NUT	COPPER ALLOY	NICKEL PLATED
8	O-RING	SILICONE	GRAY
9	FEMALE HOUSING	NYLON	BLACK
10	FEMALE CONTACT	COPPER ALLOY	FLASH GOLD



**(T40622X3\*) M8 R/A MALE TO M8 ST FEMALE DOUBLE ENDED CABLE ASSEMBLY (Shielded)**



**(T40622X4\*) M8 R/A MALE TO M8 R/A FEMALE DOUBLE ENDED CABLE ASSEMBLY (Shielded)**



PN	T40622X3003-XXX	T40622X3004-XXX																				
	T40622X4003-XXX	T40622X4004-XXX																				
VIEW A																						
VIEW B																						
WIRING DIAGRAM	<table border="1"> <thead> <tr> <th>PIN</th> <th>WIRE</th> </tr> </thead> <tbody> <tr> <td>1</td> <td>BROWN</td> </tr> <tr> <td>2</td> <td>---</td> </tr> <tr> <td>3</td> <td>BLUE</td> </tr> <tr> <td>4</td> <td>BLACK</td> </tr> </tbody> </table>	PIN	WIRE	1	BROWN	2	---	3	BLUE	4	BLACK	<table border="1"> <thead> <tr> <th>PIN</th> <th>WIRE</th> </tr> </thead> <tbody> <tr> <td>1</td> <td>BROWN</td> </tr> <tr> <td>2</td> <td>WHITE</td> </tr> <tr> <td>3</td> <td>BLUE</td> </tr> <tr> <td>4</td> <td>BLACK</td> </tr> </tbody> </table>	PIN	WIRE	1	BROWN	2	WHITE	3	BLUE	4	BLACK
PIN	WIRE																					
1	BROWN																					
2	---																					
3	BLUE																					
4	BLACK																					
PIN	WIRE																					
1	BROWN																					
2	WHITE																					
3	BLUE																					
4	BLACK																					
STANDARD	ODING REQUIRED TO IEC 61076-2-104																					

TECHNICAL DATA	T40622X3003-XXX	T40622X4003-XXX	T40622X3004-XXX	T40622X4004-XXX
RATED VOLTAGE	60V		30V	
RATED IMPULSE VOLTAGE	1500V		800V	
RATED CURRENT			3A	
POLLETION DEGREE			3	
OVERVOLTAGE CATEGORY			II	
MATERIAL GROUP			II	
DEGREE OF PROTECTION			IP67	

THIS DRAWING IS A CONTROLLED DOCUMENT.

DWN: BLAZE PENG 10APR2021  
 CHK: KEVIN HUANG 10APR2021  
 APVD: CHRIS WANG 10APR2021

**ENTRELEC**  
Electrical Solutions

NAME: M8 CABLE ASSEMBLY DOUBLE END SHIELDED

PRODUCT SPEC: 108-106140  
 APPLICATION SPEC: 114-137144-1

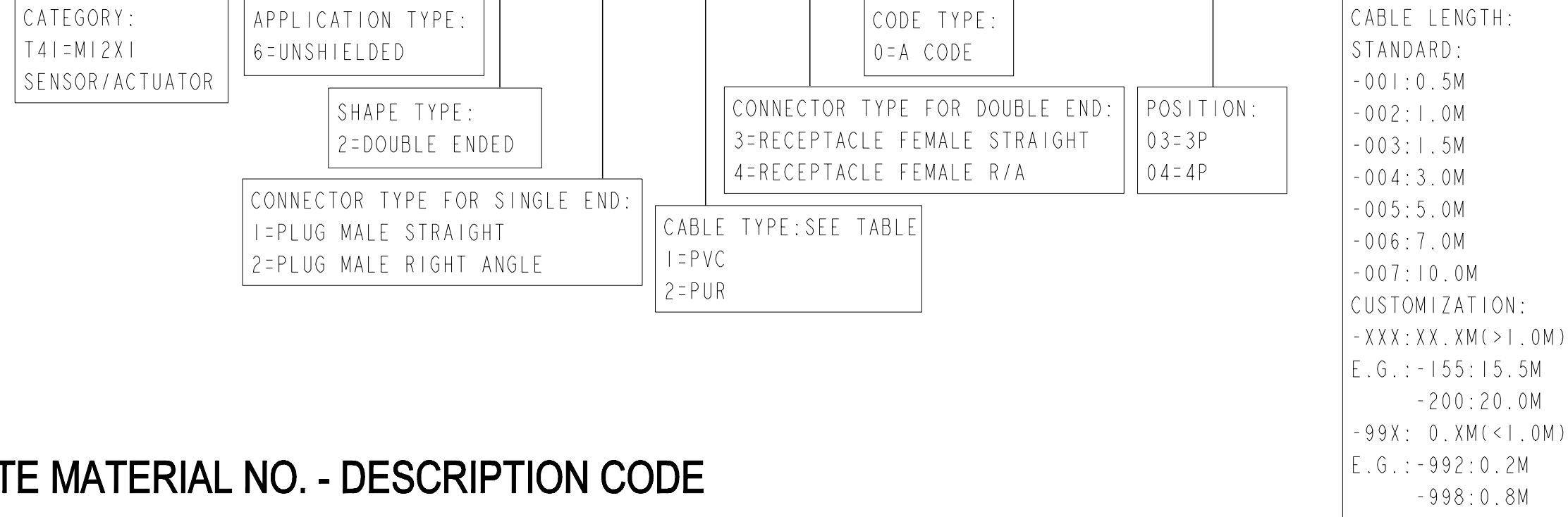
SIZE: A200779 CAGE CODE: G-1SET310C04R0000 DRAWING NO: 114-137144-1 RESTRICTED TO: -

MATERIAL: - DIMENSIONS: mm TOLERANCES UNLESS OTHERWISE SPECIFIED: 0 PLC ±- 1 PLC ±- 2 PLC ±- 3 PLC ±- 4 PLC ±- ANGLES FINISH ±- WEIGHT: - CUSTOMER DRAWING SCALE: 1:1 SHEET: 2 OF 3 REV: A

REVISIONS				
P	LTR	DESCRIPTION	DATE	APVD
		SEE SHEET 1		

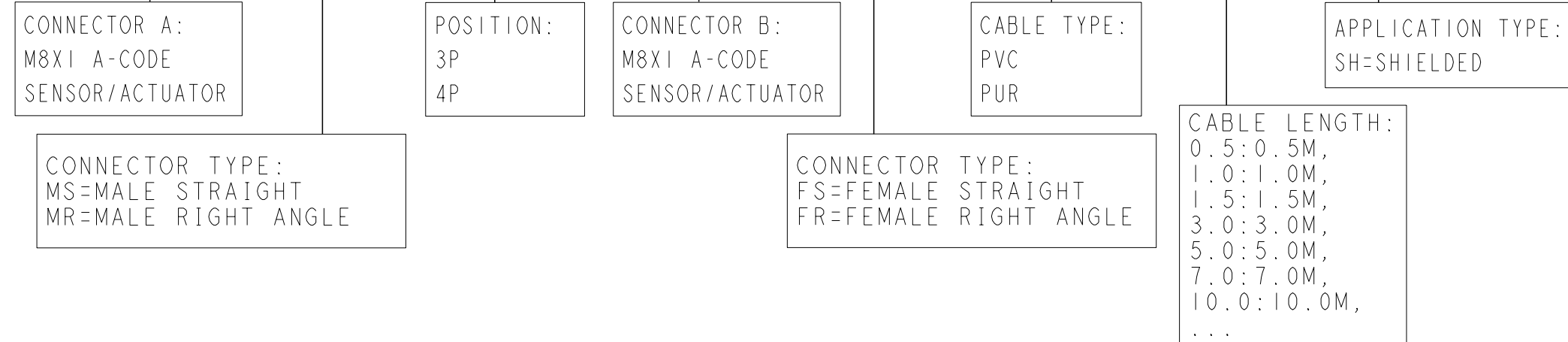
### TE MATERIAL NO. - NUMERICAL CODE

**T 4 0 6 2 X X X 0 X X - X X X**



### TE MATERIAL NO. - DESCRIPTION CODE

**M8 - XX - XP - M8 - XX - PXX - \*\* - SH**



### CABLE INFORMATION

CABLE TYPE	NO. OF WIRES	CROSS SECTION	CABLE JACKET	UL	FIXED: TEMP.	FLEXIBLE: TEMP.
1	3/4	0.25mm <sup>2</sup>	PVC BLACK	UL2464	-10°C~+80°C	-5°C~+80°C
2	3/4	0.25mm <sup>2</sup>	PUR GREY	UL20549	-40°C~+80°C	-25°C~+80°C

### CABLE LENGTH TOLERANCE

OVER	UP TO AND INCLUDING	TOLERANCES
0	1000mm	±30mm
1000mm	4000mm	±50mm
4000mm	5000mm	±60mm
5000mm	10000mm	±80mm
10000mm	>	±1.5% OF CABLE LENGTH

**NOTE:**

- ①. CODE POSITION INDICATOR
- ②. RECOMMENDED TORQUE 0.4 Nm
- ③. CABLE ASSEMBLY TO BE PACKAGED IN POLYBAGS
- ④. LABEL CONTAINS: PN, DATE CODE...

### PART LIST

M8-MS-3P-M8-FS-PUR-1.0-SH	T4062123003-002	ISET312542R0000
M8-MS-3P-M8-FS-PUR-3.0-SH	T4062123003-004	ISET312544R0000
M8-MS-3P-M8-FS-PUR-5.0-SH	T4062123003-005	ISET312545R0000
M8-MS-4P-M8-FS-PUR-1.0-SH	T4062123004-002	ISET312549R0000
M8-MS-4P-M8-FS-PUR-3.0-SH	T4062123004-004	ISET312551R0000
M8-MS-4P-M8-FS-PUR-5.0-SH	T4062123004-005	ISET312552R0000
M8-MS-3P-M8-FR-PUR-1.0-SH	T4062124003-002	ISET312556R0000
M8-MS-3P-M8-FR-PUR-3.0-SH	T4062124003-004	ISET312558R0000
M8-MS-3P-M8-FR-PUR-5.0-SH	T4062124003-005	ISET312559R0000
M8-MS-4P-M8-FR-PUR-1.0-SH	T4062124004-002	ISET312563R0000
M8-MS-4P-M8-FR-PUR-3.0-SH	T4062124004-004	ISET312565R0000
M8-MS-4P-M8-FR-PUR-5.0-SH	T4062124004-005	ISET312566R0000
M8-MR-3P-M8-FS-PUR-1.0-SH	T4062223003-002	ISET312598R0000
M8-MR-3P-M8-FS-PUR-3.0-SH	T4062223003-004	ISET312600R0000
M8-MR-3P-M8-FS-PUR-5.0-SH	T4062223003-005	ISET312601R0000
M8-MR-4P-M8-FS-PUR-1.0-SH	T4062223004-002	ISET312605R0000
M8-MR-4P-M8-FS-PUR-3.0-SH	T4062223004-004	ISET312607R0000
M8-MR-4P-M8-FS-PUR-5.0-SH	T4062223004-005	ISET312608R0000
M8-MR-3P-M8-FR-PUR-1.0-SH	T4062224003-002	ISET312612R0000
M8-MR-3P-M8-FR-PUR-3.0-SH	T4062224003-004	ISET312614R0000
M8-MR-3P-M8-FR-PUR-5.0-SH	T4062224003-005	ISET312615R0000
M8-MR-4P-M8-FR-PUR-1.0-SH	T4062224004-002	ISET312619R0000
M8-MR-4P-M8-FR-PUR-3.0-SH	T4062224004-004	ISET312621R0000
M8-MR-4P-M8-FR-PUR-5.0-SH	T4062224004-005	ISET312622R0000
PRODUCT TYPE		TE PN
		ENTRELEC PN

THIS DRAWING IS A CONTROLLED DOCUMENT.		DWN BLAZE PENG 10APR2021		
DIMENSIONS: mm		CHK KEVIN HUANG 10APR2021		
TOLERANCES UNLESS OTHERWISE SPECIFIED:		APVD CHRIS WANG 10APR2021	NAME M8 CABLE ASSEMBLY DOUBLE END SHIELDED	
		PRODUCT SPEC 108-106140	SIZE A200779	
MATERIAL		APPLICATION SPEC 114-137144-1	DRAWING NO ISET310C04R0000	
		WEIGHT	RESTRICTED TO	
		CUSTOMER DRAWING	SCALE 1:1 SHEET 3 OF 3 REV A	