

4

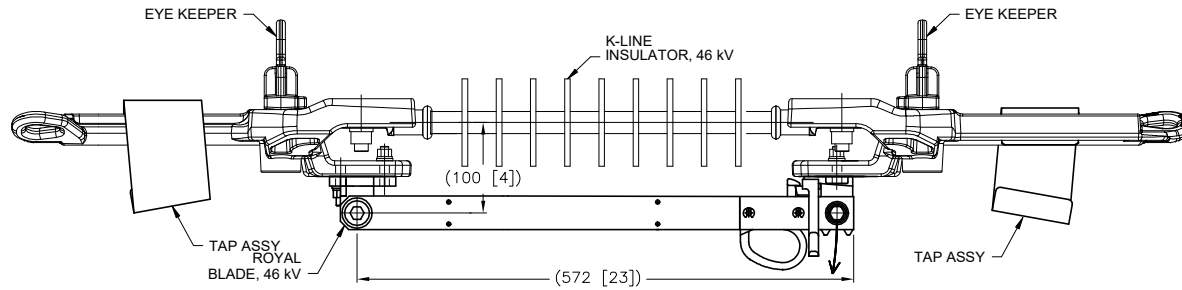
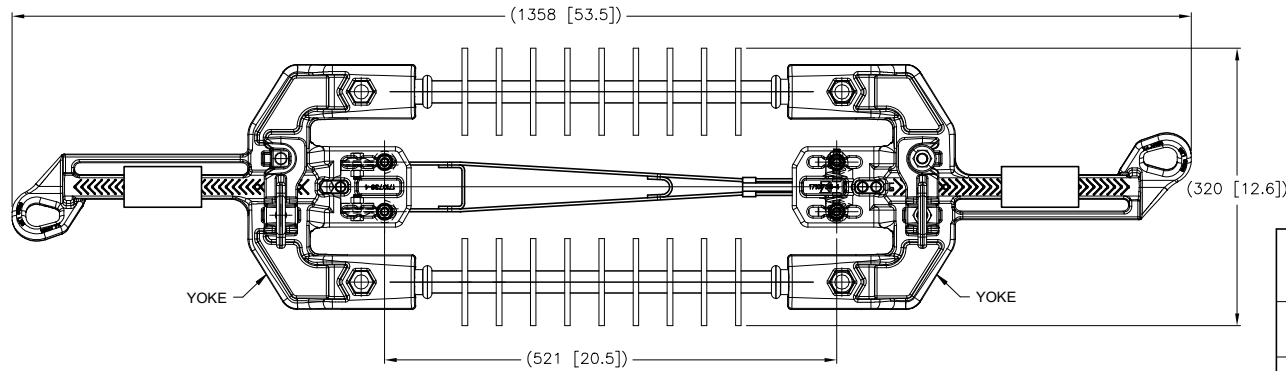
3

2

1

THIS DRAWING IS UNPUBLISHED. RELEASED FOR PUBLICATION
 © COPYRIGHT - By - ALL RIGHTS RESERVED.

REVISIONS					
REV	LR	DESCRIPTION	DATE	DRN	APVD
B		LC20-0014-12 / ECO-12-003549	21FEB2012	DM	BJ
C		LC20-0031-16 / ECO-16-005675	14APR2016	DM	BJ
D		LC20-0085-16 / ECO-16-011010	21JUL2016	DM	BJ
E		LC20-0060-19 / ECO-19-010173	29JUN2019	DM	BJ
F		LC20-0114-19 / ECO-19-016005	05NOV2019	DM	BJ



40,000 AMPERE RMS, ASYMMETRICAL	25,000 AMPERE RMS, SYMMETRICAL	900 AMPERE RMS	60 HERTZ	275 kV	46 kV AC
MOMENTARY CURRENT	THREE SECOND CURRENT	CONTINUOUS CURRENT ALLOWABLE RATING: (PER ANSI C37-32.3.2.1 2002)	FREQUENCY	BASIC IMPULSE INSULATION LEVEL (BIL)	VOLTAGE
RATINGS					

1. BODY STRENGTH: 10,000 lbs.
PULLING EYE STRENGTH: 6000 lbs.
2. FOR INLINE DISCONNECT SWITCH ASSEMBLY W/O TAPS, REFER TO 1710734-X SERIES PART NUMBERS.
3. BLADE DETAIL MAY NOT BE EXACTLY AS SHOWN.
4. 1710735-9 WILL BE REPLACED BY 1-1710735-0 IN THE FUTURE.

#2 (6/1) 1/0 (6/1) 2/0 (6/1)	#2 1/0 2/0	X-SMALL	1-83843-4	1-1710735-0
1/0 (6/1) 2/0 (6/1)	1/0 2/0	X-SMALL	1-83843-0	1710735-9
795 (24/7), (26/7), (30/7), (30/19), (54/7)	954	X-LARGE	1-83843-1	1710735-8
605 (30/19) 636 (26/7) (24/7), (30/19) 666.6 (24/7) (26/7)	715.5, 750, 795	X-LARGE	83843-6	1710735-7
477.0 (30/7) 556.5 (24/7) (26/7), (30/7) 605 (24/7) (26/7) 636 (18/1) (36/1)	600, 636, 650, 700	X-LARGE	83843-5	1710735-6
477.0 (26/7) 556.5 (18/1)	556.5	LARGE	83843-4	1710735-5
397.5 (18/1) (24/7), (26/7) (30/7) 477.0 (18/1)	450, 477, 500	LARGE	83843-3	1710735-4
266.8 (26/7) 336.4 (18/1) (26/7), (30/7)	397.5 336.4, 350	SMALL	83843-2	1710735-3
266.8 (18/1)	266.8	SMALL	83843-1	1710735-2
3/0 (6/1) 4/0 (6/1)	4/0	SMALL	83843-7	1710735-1
ACSR	AAC	YOKE SIZE IN ILD ASSEMBLY	REPLACEMENT TAP P/N	PART NO.

THIS DRAWING IS A CONTROLLED DOCUMENT. DWG: D. MURUGIAH 12FEB2010
 CHK: S. KAMEL 29MAR2010
 DRW: B. JOHNSON 29MAR2010

TE TE Connectivity

NAME: INLINE DISCONNECT SWITCH ASSEMBLY WITH TAPS, AMPACT, 46 kV, 900 Amp

PRODUCT SPEC: -
 APPLICATION SPEC: -

MATERIAL: - FINISH: -

WEIGHT: 0

CUSTOMER DRAWING

SIZE: A2 CAGE CODE: 00779 DRAWING NO: 1710735 RESTRICTED TO: -
 SCALE: NTS SHEET: 1 of 1 REV: F