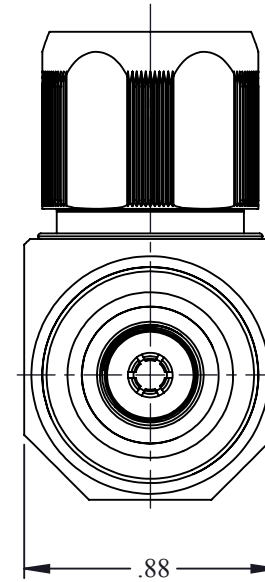
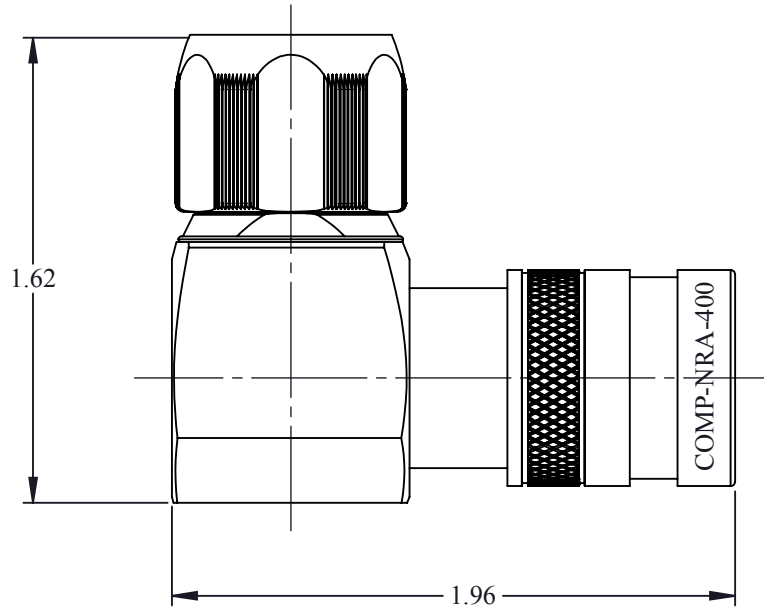


REV	DESCRIPTION	DATE	APPR
F1	CHANGED DWG FORMAT	12/09/15	JDMc



**SPECIFICATIONS:**

IMPEDANCE: 50 Ohms  
 FREQUENCY RANGE: 0-7.0 GHz  
 TEMPERATURE RANGE: -55 °C TO 85 °C  
 WATERPROOF DESIGN: IP68 RATED

15	861001-1008	O-RING	1
14	11831-01	INSTALLATION GUIDE, 50 OHM, BRAIDED	.010
13	11677-01	RETAINING COMPOUND, LOCTITE 680	.0004
12	11676-01	FRONT BODY, 50 OHM, N MALE, 400, RA	1
11	11675-01	INSULATOR, 50 OHM, N MALE, 400, RA	1
10	11674-01	PIN, 50 OHM, N MALE, 400, RA	1
9	11673-01	INSULATOR, 50 OHM, N MALE, 400, RA	1
8	11672-01	INSULATOR, 50 OHM, N MALE, 400, RA	1
7	11671-01	BODY, 50 OHM, N MALE, 400, RA	1
6	11563-01	GASKET, 50 OHM, N MALE, 400	1
5	11562-01	NUT RETAINER, 50 OHM, N MALE, 400	1
4	11561-01	COMPRESSION RING, 50 OHM, N MALE, 400	1
3	11559-01	POST, 50OHM, N MALE, 400	1
2	11558-01	CLAMP, 50 OHM, N MALE, 400	1
1	11556-01	NUT, 50 OHM, N MALE	1
#	PART #	DESCRIPTION	QTY.

UNLESS OTHERWISE SPECIFIED  
 ALL DIMENSIONS ARE FOR REFERENCE ONLY.  
 ALL DIMENSIONS ARE IN INCHES.  
 INTERPRET DIMENSIONS PER ASME Y14.5M-1994.

**RoHS**  
 COMPLIANT

	NAME	DATE
DRAWN	C. ZUÑIGA	12/09/15
APPROVED		
CBL GROUP	N/A	
CODE:	000000	
MATERIAL:	BRASS	
FINISH:	WHITE BRONZE	

**RF INDUSTRIES**  
 7610 MIRAMAR RD. SAN DIEGO, CA. 92126  
 858-549-6340 FAX 858-549-6345

THESE DRAWINGS AND SPECIFICATIONS ARE THE PROPERTY OF RF INDUSTRIES LTD AND SHALL NOT BE REPRODUCED, COPIED OR USED AS A BASIS FOR MANUFACTURE OR SALE OF EQUIPMENT OR DEVICES WITHOUT WRITTEN PERMISSION.

TITLE: **N MALE R/A FOR 400**

SCALE	DWG. NO.	SHEET	REV
NTS	COMP-NRA-400	1 OF 1	F1