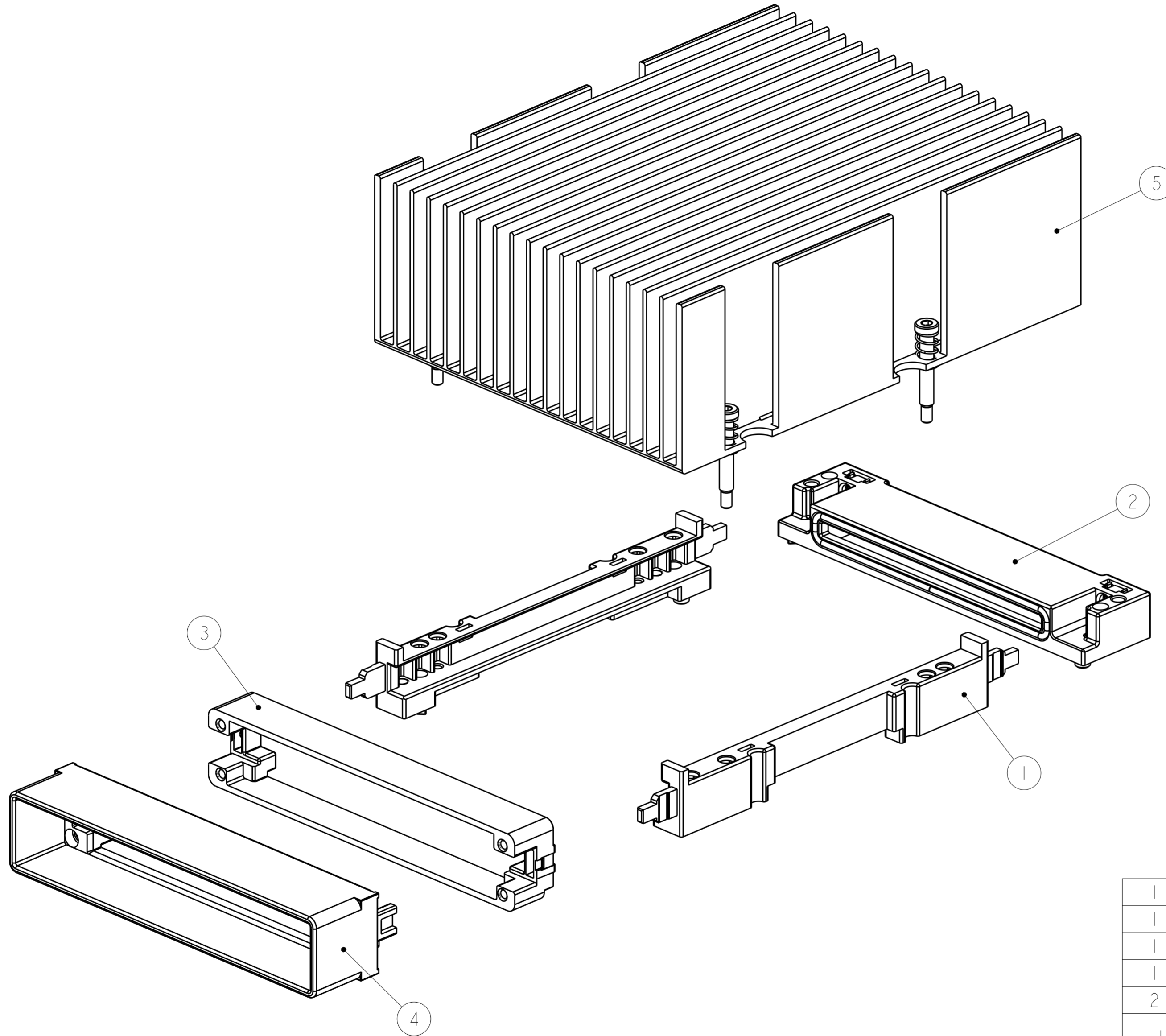



THIS DRAWING IS UNPUBLISHED. RELEASED FOR PUBLICATION 20
 © COPYRIGHT 20 BY - ALL RIGHTS RESERVED.

LOC	DIST	REVISIONS					
GP	00	P	LTR	DESCRIPTION	DATE	DWN	APVD
		B		REVISED PER ECO-12-021786	04MAR2013	CJV	MRS
		BI		CORRECT COMPONENT PNS	16JAN2019	IT	SH



1	2110903-2	HEATSINK ASSEMBLY	5
1	2057626-1	EXTERNAL BRACKET ASSEMBLY	4
1	2057930-1	BACKER PLATE ASSEMBLY	3
1	2057631-1	CONNECTOR COVER ASSEMBLY	2
2	2057592-2	GUIDE RAIL	1
- 1	PART NUMBER	DESCRIPTION	ITEM NO

THIS DRAWING IS A CONTROLLED DOCUMENT. DIMENSIONING AND TOLERANCING PER ASME Y14.5M-2009		DWN M. SHIRK 14AUG2009	 TE Connectivity	
DIMENSIONS: mm		CHK M. PHILLIPS 14AUG2009		
TOLERANCES UNLESS OTHERWISE SPECIFIED:		APVD	NAME CFP HARDWARE KIT NO HEATSINK	
0 PLC ±	1 PLC ±	PRODUCT SPEC	SIZE	
2 PLC ±	3 PLC ±	108-2399	CAGE CODE	
4 PLC ±	ANGLES ±	APPLICATION SPEC	DRAWING NO	
FINISH		114-13263	RESTRICTED TO	
MATERIAL		WEIGHT	A200779 C-2110915	
		CUSTOMER DRAWING	SCALE	SHEET OF REV BI